

SPECIFICATION FOR APPROVAL



产品承认书

CUSTOMER: _____

CUSTOMER NO. : _____

HSW PART NO. : **HSW-H1620SP 100M 宽温工业级 POE+ 720mA**

DESCRIPTION: **10/100 BASE-T SINGLE PORT POE+ SMD TRANSFORMER
MODULE 、 Meets IEEE 802.3af and ANSIX3.263 standards**

ATTACHMENT:

■ SPECIFICATION

■ SAMPLE Q'TY OF SAMPLES _____ PCS

CUSTOMER APPROVAL
(客户承认章)

HSW APPROVAL
(公司承认章)

SALES BY:

SALES BY:

张静

QA DEPT. :

CHECKED BY:

刘君

ENG. DEPT.:

APPROVAL BY:

贺江

深圳市华升微电子有限公司

PLEASE REPLY THIS SHEET TO US AFTER SIGNATURE(请签字后回传本页)



10/100 BASE-T SINGLE PORT POE+ SMD TRANSFORMER MODULE

- Meets IEEE 802.3af and ANSIX3.263 standards
- RoHS Compliant POE+ 720mA
- 10/100 Base-T, Surface Mount Type, Open Header .
- Operating temperature range: -40°C to +85°C
- Storage temperature range: -25°C to +125°C

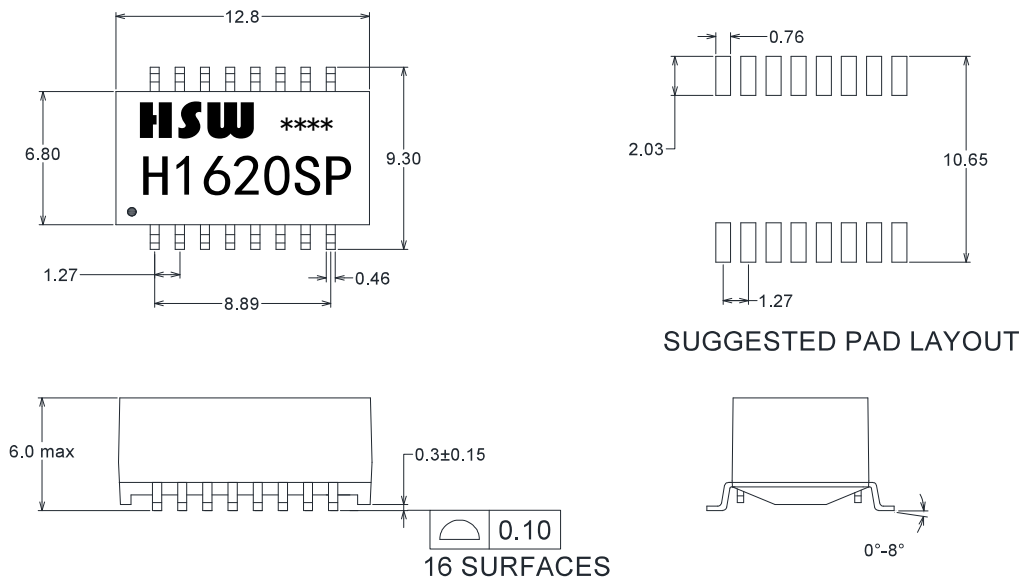
Electrical Specifications @25°C

Part Number	OCL(μH min) @100KHz/0.1V	Turns Ratio ($\pm 5\%$)	Cross talk (dB min)		HI-POT (V)
	with 8mA DC Bias		0.5-40MHz	40.1-100MHz	
YS16002ENL	350	1CT:1CT	-35	-33-20*LOG(f/50)	1500

continue

Part Number	Insertion Loss	Return Loss		CMRR (dB min) 0.5-100MHz
	(dB max)	(dB min)		
	0.5-100MHz	0.5-40MHz	40.1-80MHz	
YS16002ENL	-1.1	-18	-12	-30

MECHANICAL



SCHEMATICS

Unless otherwise specified all tolerances are: ± 0.25

