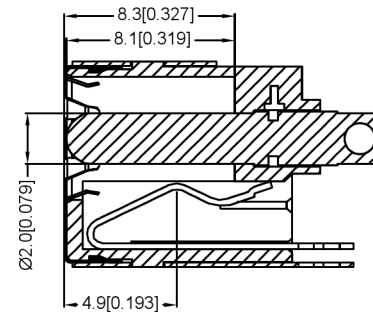
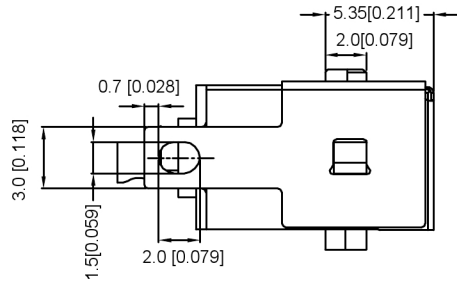


NOTES:

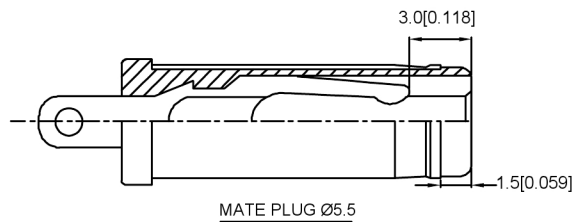
笔记:

1. CONTACT CURRENT RATING:7A
1. 触点额定电流: 7A
2. CONTACT RESISTANCE:50 mΩ MAX
2. 接触电阻: 最大50 mΩ
3. INSULATION RESISTANCE:100MΩ MIN
3. 绝缘电阻: 100MΩ MIN
4. DIELECTRIC WITHSTANDING: 500V AC MIN.
4. 耐介质: 最小500V AC。
5. DURABILITY:5.000 CYCLES MIN.
5. 耐久性: 至少5.000次循环。
6. CONNECTOR MATING FORCES:29.4N(3.00KgF)MAX.;
6. 连接器配合力: 最大29.4N (3.00KgF) 。
7. CONNECTOR UNMATING FORCES:2.94N(0.30KgF) MIN
7. 连接器脱离力: 最小2.94N (0.30KgF)

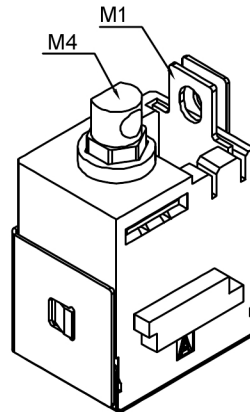


SECTION A-A

SCHEMATIC	
Model	DC-044AE
Center Pin	Ø2.0 mm
	Ø2.5 mm



MATE PLUG Ø5.5



	MATERIAL	PLATING
axis support	Brass	silver
center pin	Brass	silver
plastic	Pbt	
terminal 1	Brass	silver
terminal 2	Phosphor Bronze	silver
terminal 3	Brass	silver

广东星坤科技股份有限公司
日期
文件工程章

MARK	DESCRIPTION	DATE	REVISED	APPROVED	UNSPECIFIED TOLERANCES
Δx					ANGLAR ±5°
Δx					L ≤ 4 ±0.2
Δx					4 < L ≤ 16 ±0.3
					16 < L ≤ 63 ±0.4
					L > 63 ±0.5



DSND		SCALE: N/A	MODEL TYPE: DC POWER JACK
DWN		VIEW:	PART NO.: DC-044AE-2.0
CHKD		UNIT: mm/in	DWG NO.:
APPD		SIZE: A4	
XKB INDUSTRIAL PRECISION CO., LIMITED			WEIGHT
			SHEET
			REVISIC
			1/1
			A0