



TAI-SAW TECHNOLOGY CO., LTD.

No. 3, Industrial 2nd Rd., Ping-Chen Industrial District,
Taoyuan, 324, Taiwan, R.O.C.

TEL: 886-3-4690038 FAX: 886-3-4697532

E-mail: tstsales@mail.taisaw.com Web: www.taisaw.com

Product Specifications Approval Sheet

Product Description: SAW Filter 2492 MHz SMD 3.0x3.0 mm (BW=5 MHz)

TST Part No.: TA1442A

Customer Part No.: _____

| |
|-----------------------------|
| Customer signature required |
| Company: _____ |
| Division: _____ |
| Approved by : _____ |
| Date: _____ |

Checked by: _____ David Chang 張閱智

Approved by: _____ Francis Chen 何智

Date: _____ 2011/12/19

1. Customer signed back is required before TST can proceed with sample build and receive orders.
2. Orders received without customer signed back will be regarded as agreement on the specifications.
3. Any specifications changes must be approved upon by both parties and a new revision of specifications shall be released to reflect the changes.

TST DCC



TAI-SAW TECHNOLOGY CO., LTD.

No. 3, Industrial 2nd Rd., Ping-Chen Industrial District,
Taoyuan, 324, Taiwan, R.O.C.

TEL: 886-3-4690038 FAX: 886-3-4697532

E-mail: tstsales@mail.taisaw.com Web: www.taisaw.com

SAW Filter 2492 MHz

MODEL NO.: TA1442A

REV. NO.:1

A. MAXIMUM RATING:

1. Input Power Level: 10 dB_m
2. DC voltage: 3 V
3. Operating Temperature: -40°C to +85°C
4. Storage Temperature: -40°C to +85°C

RoHS Compliant
Lead free
Lead-free soldering

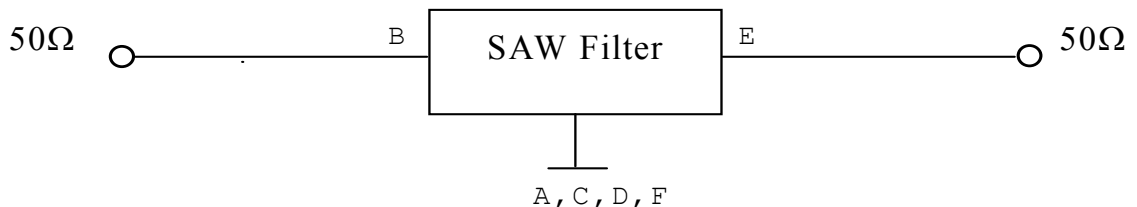
Electrostatic Sensitive Device (ESD)

B. ELECTRICAL CHARACTERISTICS:

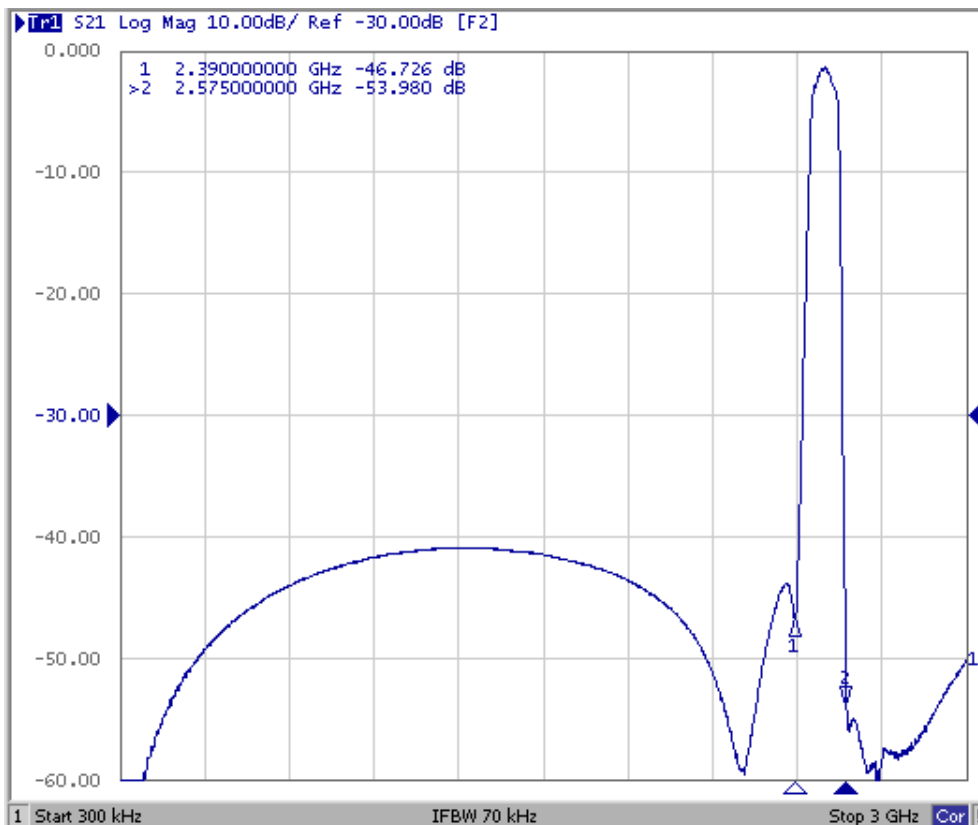
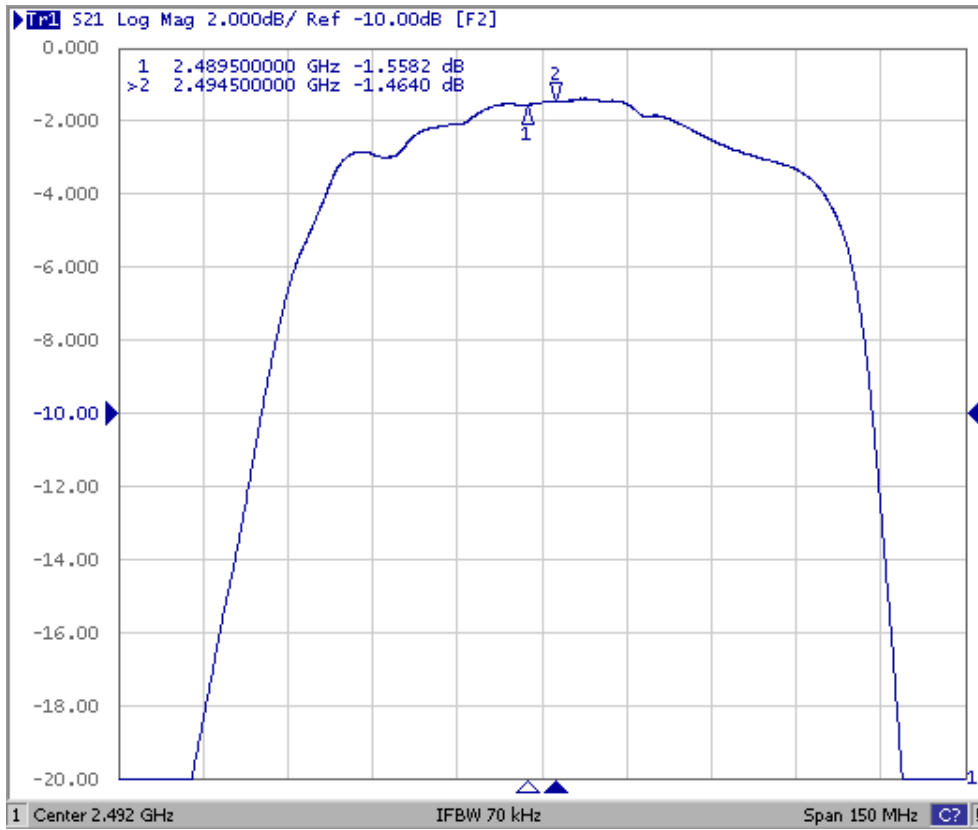
| Item | Unit | Min. | Typ. | Max. |
|---|---------|------|------|------|
| Center frequency F_c | MHz | - | 2492 | - |
| Insertion Loss (2489.5~2494.5 MHz) IL | dB | - | 1.55 | 2.0 |
| Amplitude Ripple (2489.5~2494.5 MHz) | dB | - | 0.2 | 1.0 |
| VSWR (2489.5~2494.5 MHz) | - | - | 1.2 | 1.8 |
| Attenuation (Reference level from 0 dB) | | | | |
| DC ~ 2390 MHz | dB | 33 | 40 | - |
| 2575 ~ 3000 MHz | dB | 43 | 50 | - |
| Temperature coefficient of frequency TCf | ppm /°C | - | -36 | - |

C. MEASUREMENT CIRCUIT:

HP Network analyzer

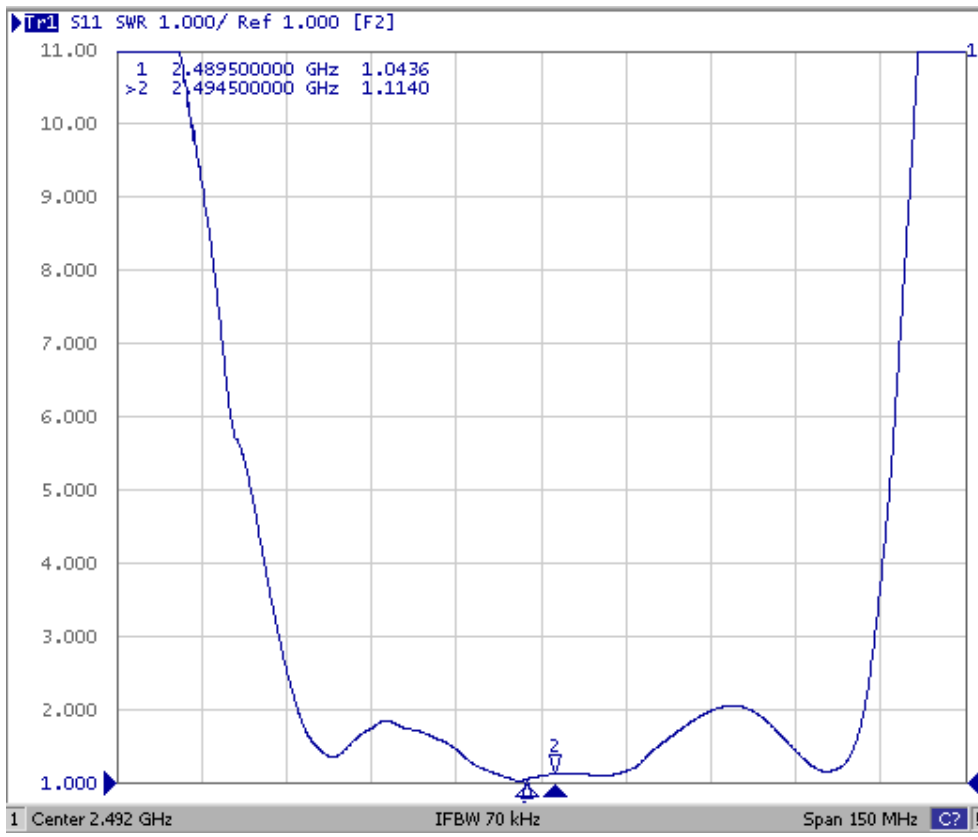


D. Frequency Characteristics:

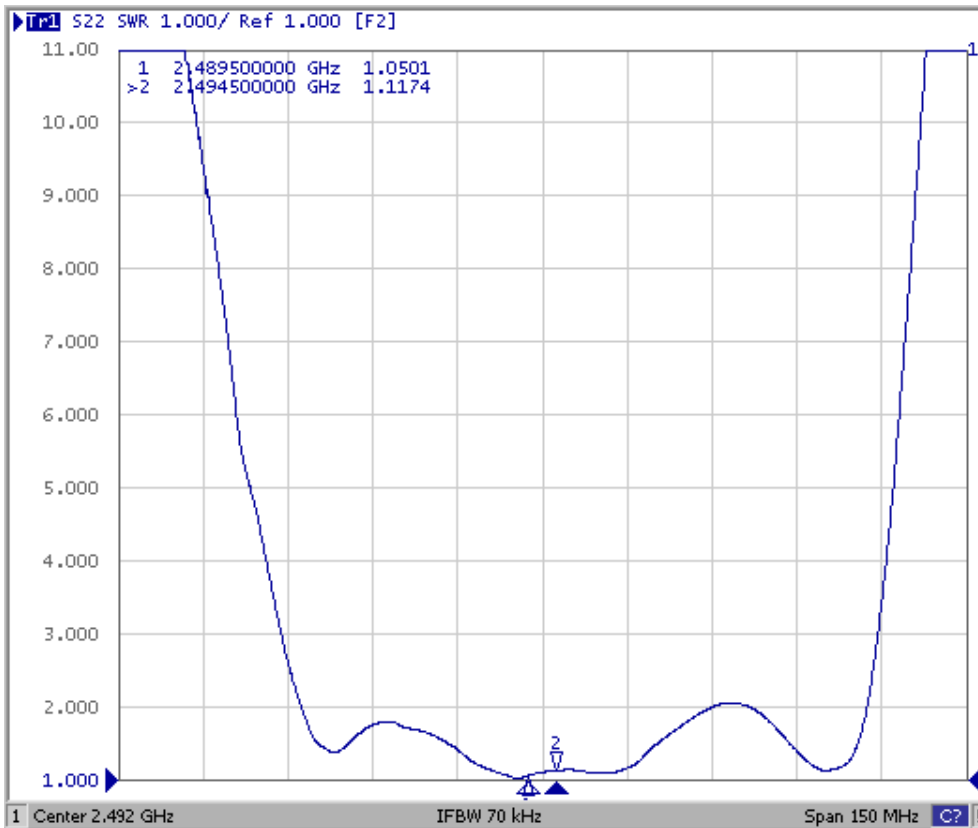


Reflection Functions:

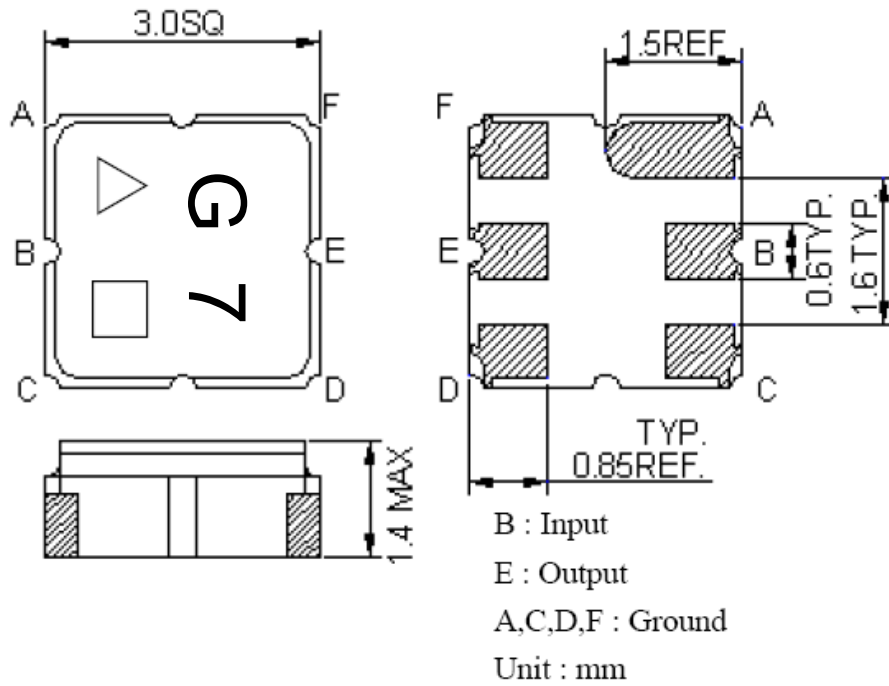
S11



S22



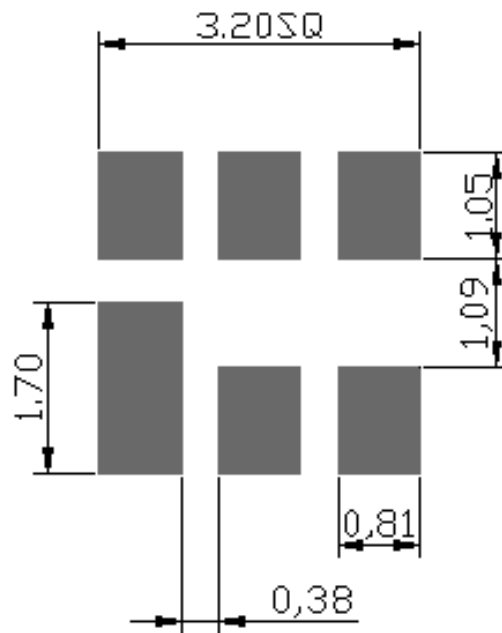
E. OUTLINE DRAWING:



△ : Year Code (2011->1, ..., 2020->0)

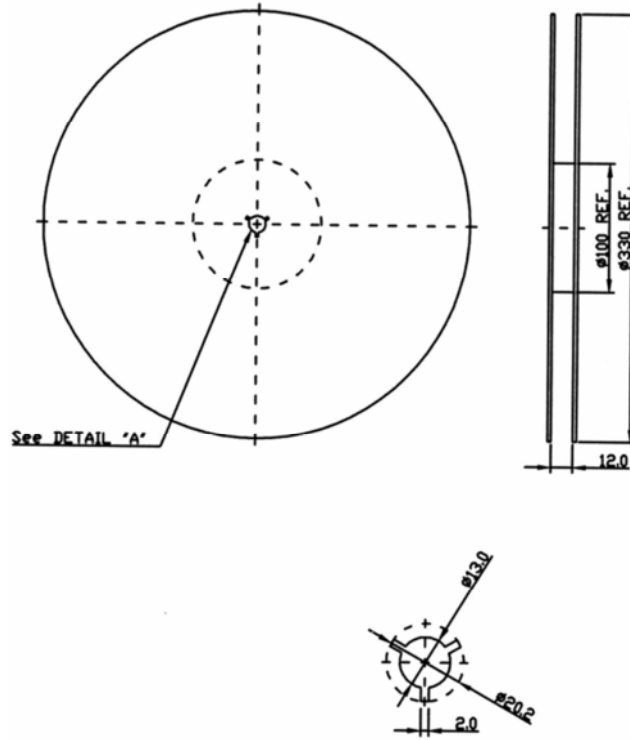
□ : Date Code (Follow the table from planner each year)

F. PCB Footprint:

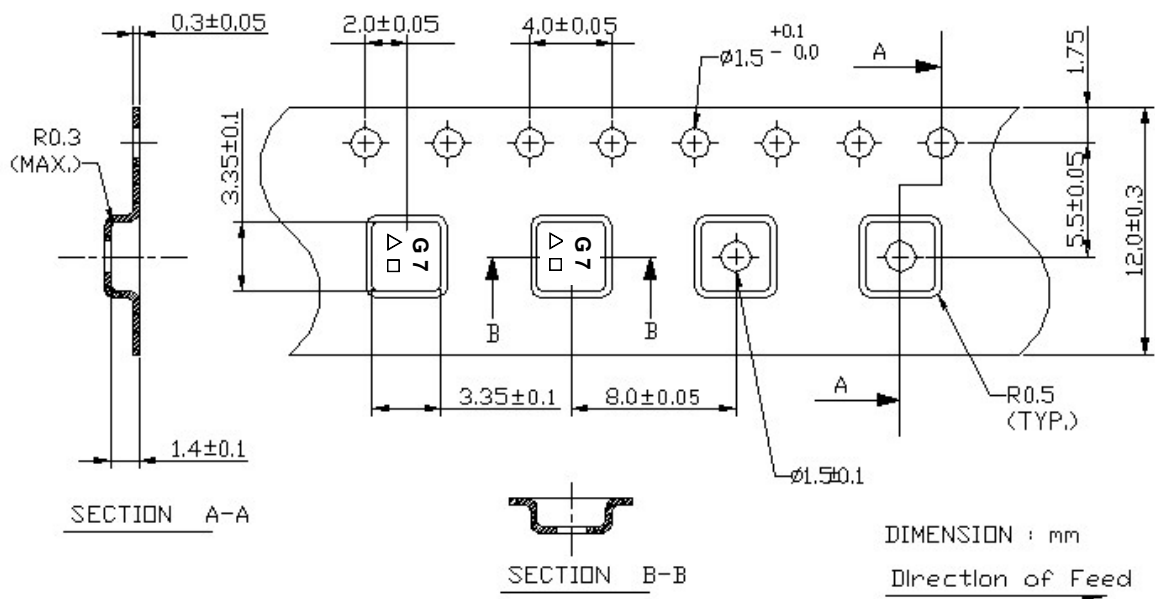


G. PACKING:

1. REEL DIMENSION



2. TAPE DIMENSION



H. RECOMMENDED REFLOW PROFILE:

