



PROJECT COVER

Board Name	DUO_MB
Board Version	V1.1
Designer	
Reviewed by	
CIS Library	YES

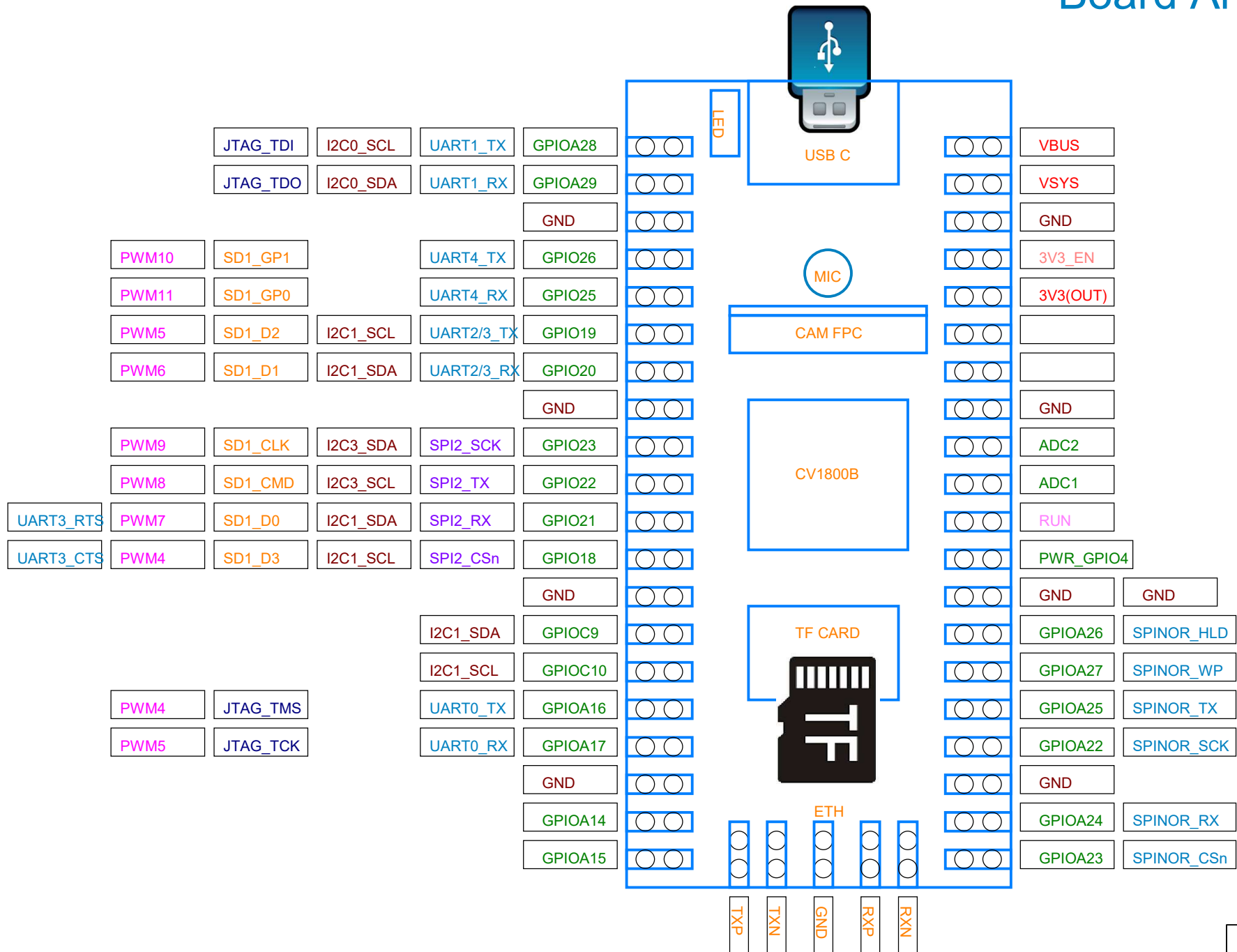
			
Project:	CV1800B		
File:	01 Project Cover		
Date:	Wednesday, April 12, 2023	Rev:	1.1
Designed by:	<designer>	Sheet:	1 of 7

CONTENT

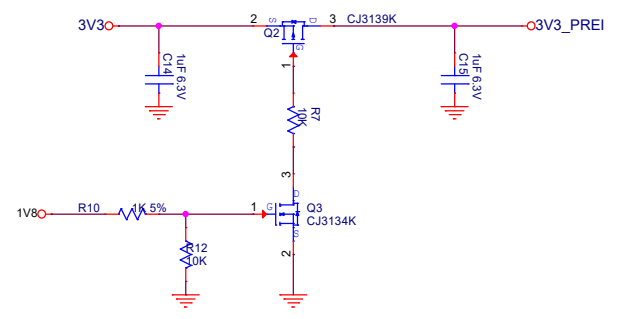
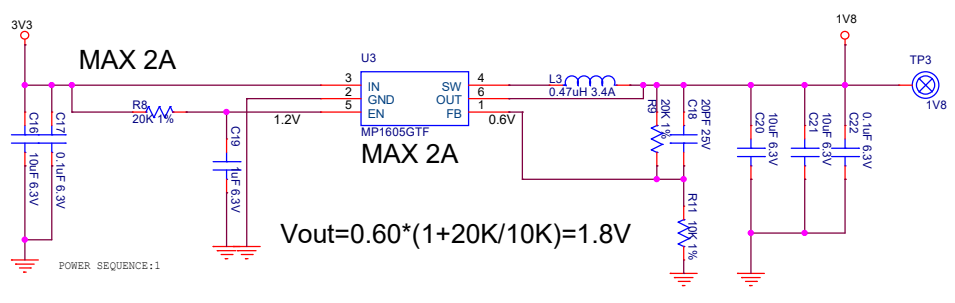
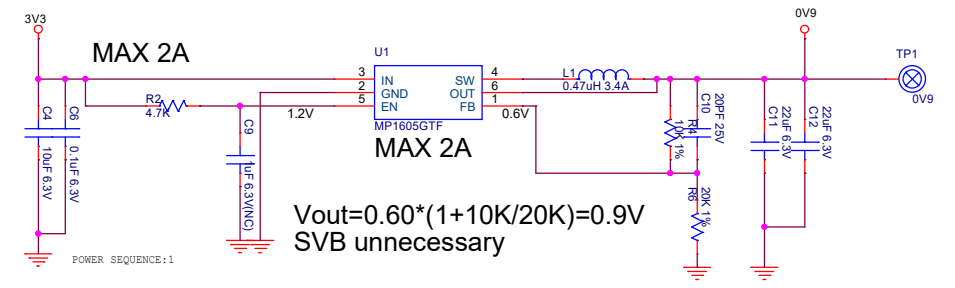
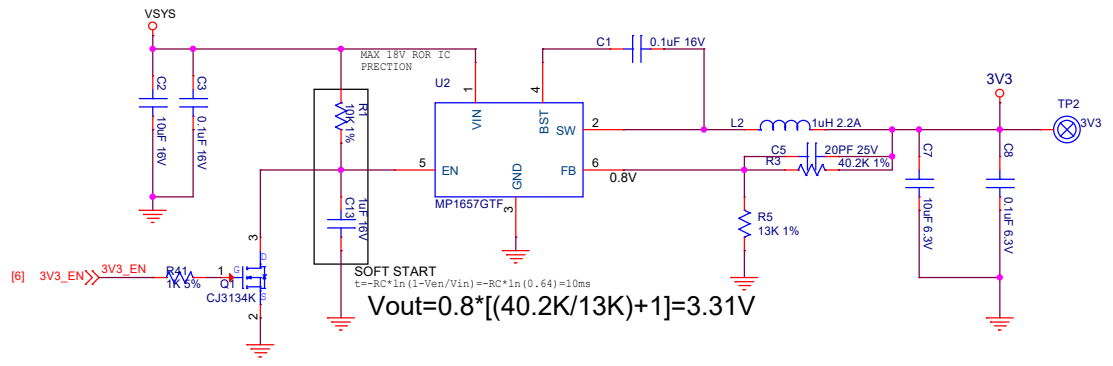
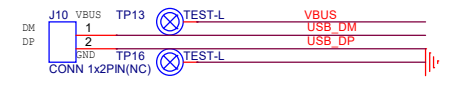
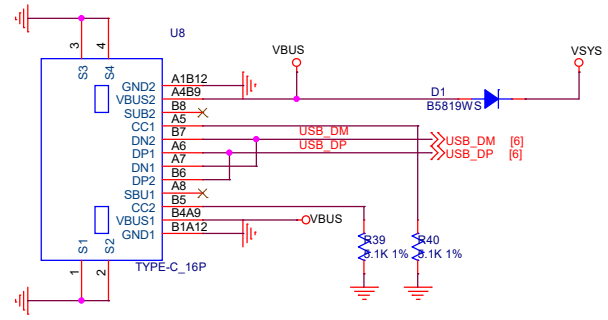
PAGE	TITLE
1	Project Cover
2	Content
3	Board Architecture
4	Power
5	CV1800B PART1
6	CV1800B PART2
7	FIX & HOLE
8	
9	
10	
11	
12	
13	
14	
15	
16	
17	
18	
19	
20	
21	
22	
23	

			
Project:	CV1800B		
File:	02 Content		
Date:	Wednesday, April 12, 2023	Rev:	1.1
Designed by:	<designer>	Sheet:	2 of 7

Board Architecture



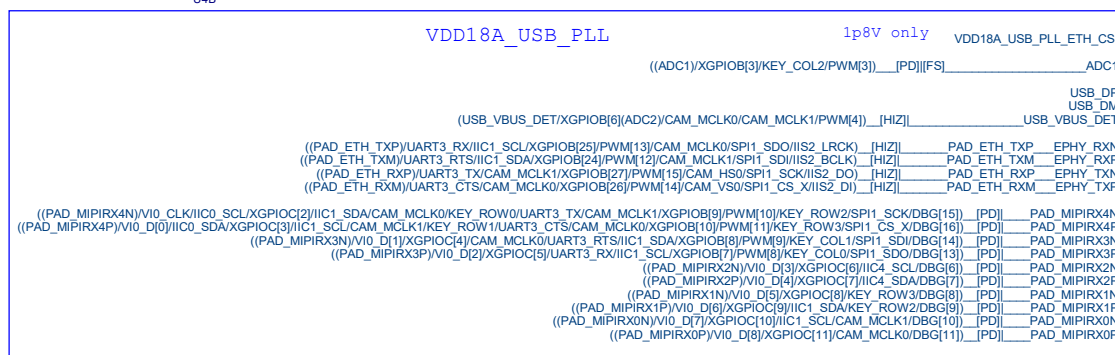
milky			
Project:	CV1800B		
File:	03 Board Architecture		
Date:	Wednesday, April 12, 2023	Rev:	1.1
Designed by:	<designer>	Sheet:	3 of 7



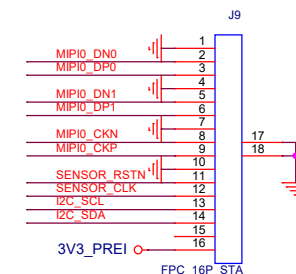
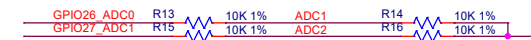
milky			
Project:	CV1800B		
File:	04 Power		
Date:	Wednesday, April 12, 2023	Rev:	1.1
Designed by:	<designer>	Sheet:	4 of 7

USBÐ&MIPI

U4B

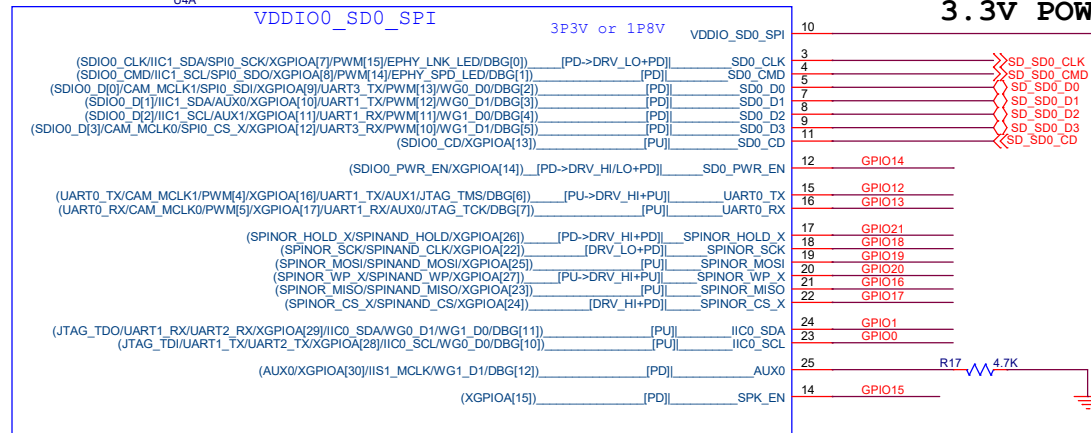


CV180xB_QFN68



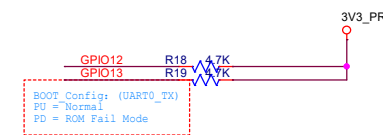
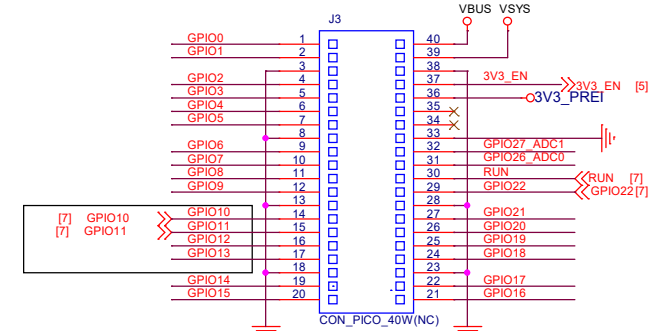
VDDIO_SD0_EMMC

U4A



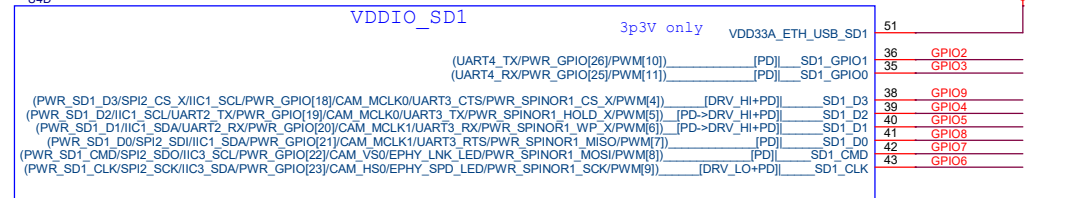
CV180xB_QFN68

3.3V POWER

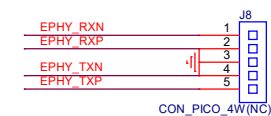


VDDIO_SD1

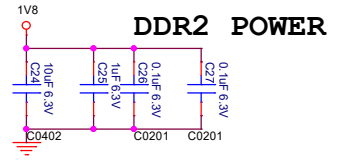
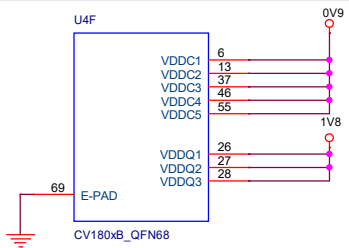
U4D



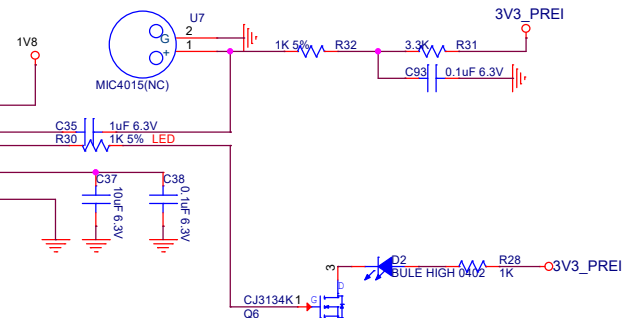
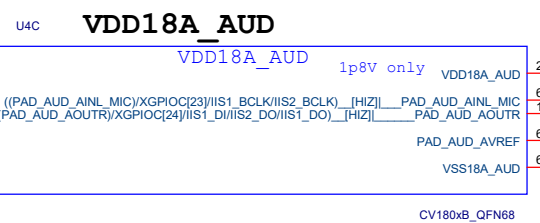
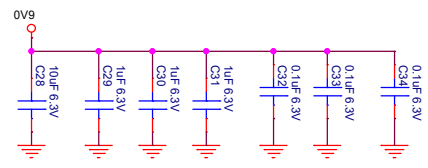
CV180xB_QFN68



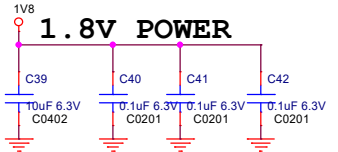
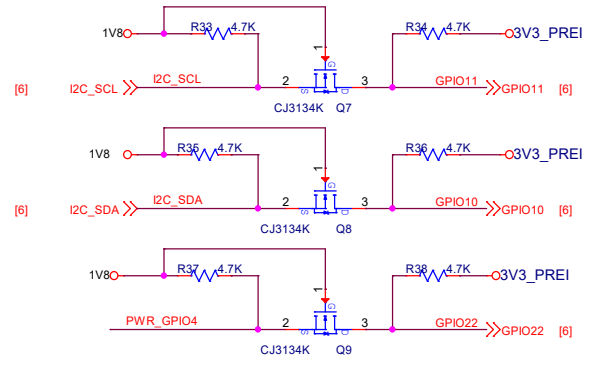
Project:	CV1800B		
File:	05 CV1800B PART1		
Date:	Wednesday, April 12, 2023	Rev:	1.1
Designed by:	<designer>	Sheet:	5 of 7



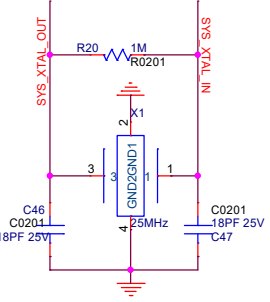
VDDC&TPU POWER



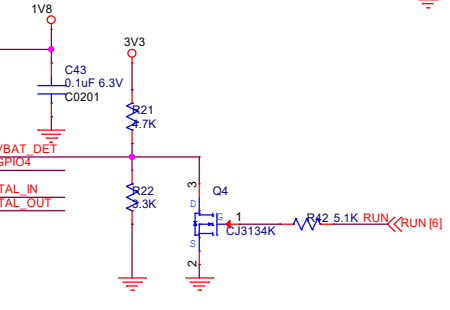
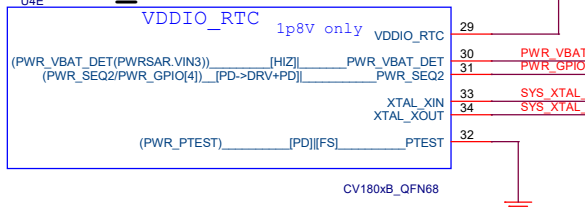
LEVEL SHIFT



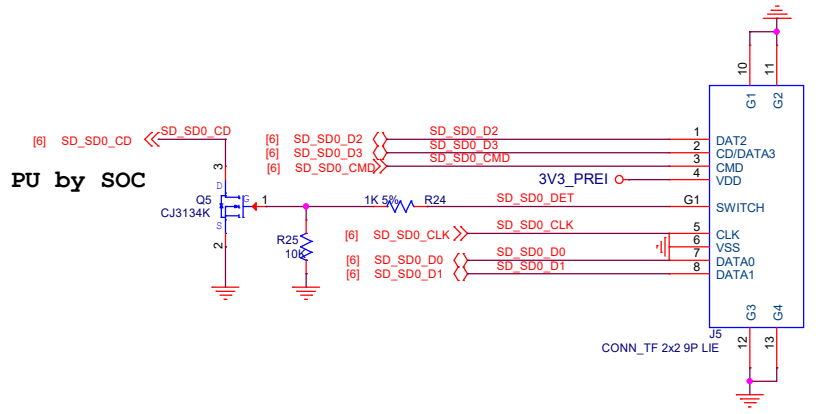
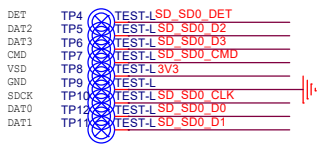
SYS XTAL



VDDIO_RTC



TF_SOCKET



Project:	CV1800B
File:	06 CV1800B PART2
Date:	Wednesday, April 12, 2023
Designed by:	<designer>
Rev:	1.1
Sheet:	6 of 7



Project:	CV1800B		
File:	07 FIX & HOLE		
Date:	Wednesday, April 12, 2023	Rev:	1.1
Designed by:	<designer>	Sheet:	7 of 7