



piezoelectric buzzer

YX-WY4216

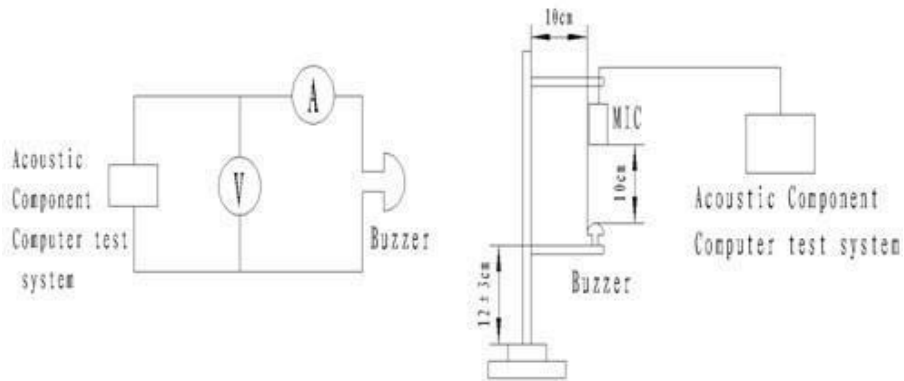
ITEM: 压电式无源蜂鸣器				
Part No: YX-WY4216				
性能参数 Electrical Characteristics				
Resonant Frequency (KHz)			3.0±0.3	
Rated Voltage (V _{p-p})			12	
Operating Voltage (V _{p-p})			3~24	
Max. Current Consumption at Rated Voltage (mA)			≤25	
Min. Sound Output at 30cm at Rated Voltage (dB)			≥95	
Tone			continuation	
Operating Temperature (°C)			-20~+60	
Storage Temperature (°C)			-30~+70	
Environmental Protection Regulation			RoHS	
Buzzer Soldering Process		Soldering Parameter		
		Temp.(°C)	Time(Sec.)	Times
Inclusive Lead	Reflow soldering	230±10	above 170°C time 40~70	2
	Wave soldering	245±5	3~6	1~2
	Manual soldering	330±10	1~2	1~2
Lead Free	Reflow soldering	245±15	above 180°C time 40~70	3
	Wave soldering	260±5	4~8	2~3
	★ Manual soldering	350±10	1~3	2~3
外观尺寸 Appearance Drawing				
(单位: 毫米) (UNIT: mm)				
未标注公差尺寸按±0.5mm Tolerance: ±0.5mm Except Specified				



piezoelectric buzzer

YX-WY4216

Testing Method:



Frequency Response:

FREQUENCY RESPONSE

