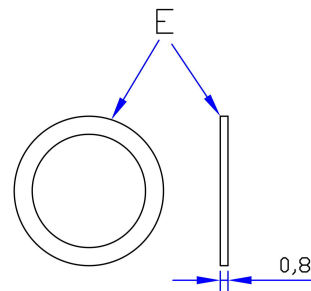
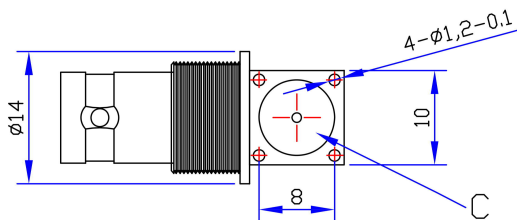
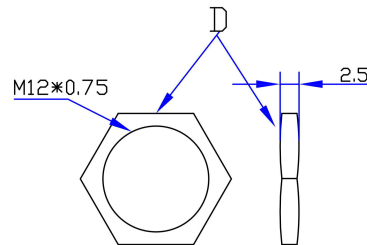
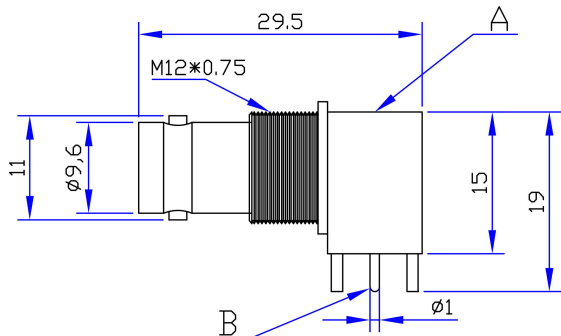




Kinghelm®

Product NO.		801-0080		
REV	DESCRIPTION	DWN	DATE	APPROVEN
A	First issue	JIM	2012/11/02	John kine



Specifications

Impedance: 50 Ohms
 Frequency Range: DC~3G
 VSWR: 1.3MAX

Working Voltage: 500V rms @ sea level

Insulation Resistance: 5000 Ohms min

Temperature Range: -55°C TO +155°C

Relative Temperature: ≤95% (40° C ±2° C)

Drawings products are in line with ROHS standards

NOTE:

Tolerance

0-6	±0.15
6-30	±0.20
30-120	±0.5
Angular	±2°

深圳市金航标电子有限公司
SHENZHEN KINGHELM ELECTRON CO., LTD.

Name: BNC CONNECTOR DNN

E	GASKET	TE	NICKEL	1
D	NUT	BRASS	NICKEL	1
C	INSULATOR	TEFLON	NONE	1
B	CONTACT PLATING	BRASS	GOLD	1
A	BODY	BRASS	NICKEL	1
NO	DESCRIPTION	MATERIAL	FINISHED	QTY

DRAWN	2012/11/10
Zelin. Zhang	
CHECKED	
APPROVALS	19/04.2012
John Kine	

View



UNIT

MM

SCALE

1:1

Size A	Product NO.	801-0080	REV B
Date Time	CAD FILE	D/company drawings/BD	SHEET: 1 OF 1