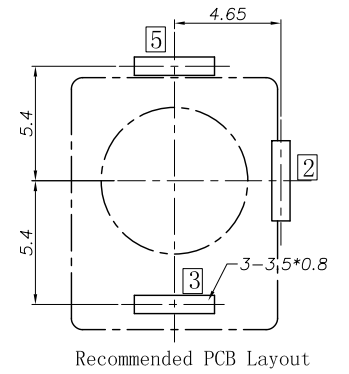
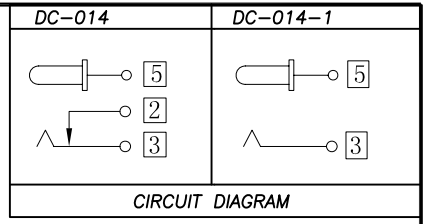
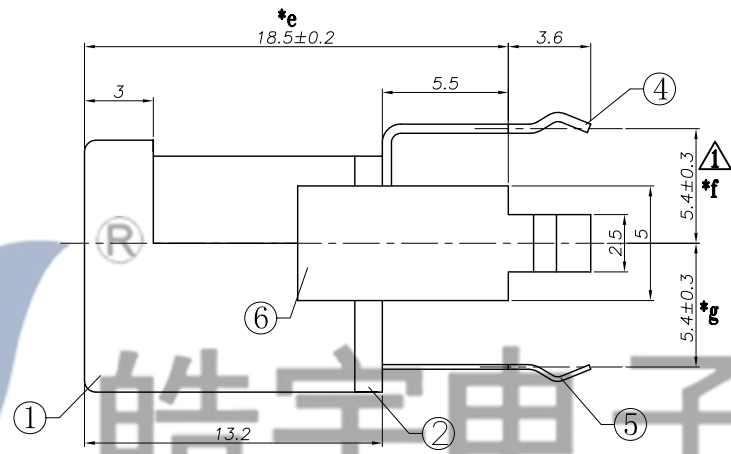
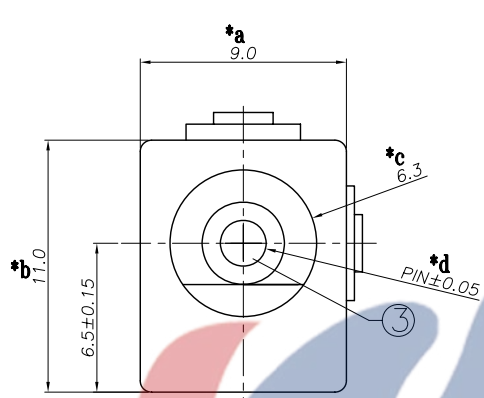
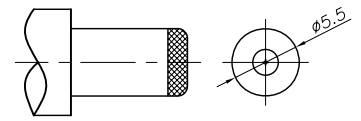
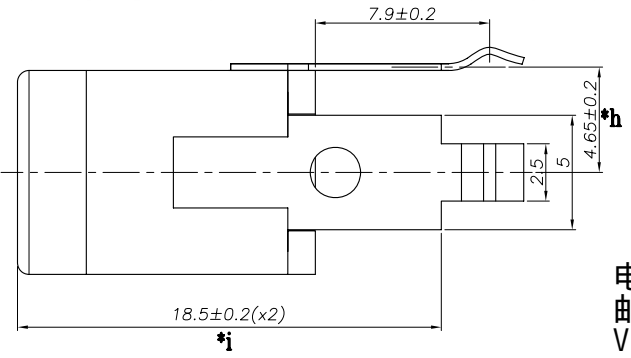


PIN	∅2.0	∅2.5



SPECIFICATION

1. Rating : DC 24V 3A;
2. Contact resistance: ≤50mΩ ;
After test: ≤200mΩ
3. Insulation resistance: ≥100MΩ (DC500V);
After test: ≥50MΩ
4. Withstand voltage: 500VAC ;
5. Insertion and extraction force: 3-30N;
6. life test: 5,000 cycles;
7. Operation temperature range: -20° C~70° C;
8. Preservative temperature range: -40° C~85° C;
9. Sign "*" is importance dimension



DC MATE PLUG

电话 : 0769-82310511-867
 邮箱 : hooya89@hooya.hk
 V: hooya89

					TOLERANCE UNLESS SPECIFIED							
					UP TO 5mm: ±0.1	ANGULAR	A1	2021.07.08	修正脚位尺寸为5.4		GYW	
					ABOVE 5mm: ±0.2	±1°	AO	2020.02.04	首次发行		GYW	
							NO	DATE	REVISIONS		BY	APPD
6	DC014 2#CURVE PIECE	BRASS	1	Sn-PLATED			TITLE: DC JACK		UNIT : MM	ROHS COMPLIANT	DWN	
5	DC014 3#SPRING	SUS	1	Sn-PLATED			MODEL: DC-014		SCALE: 1:1	CHK'D		
4	DC014 5#FLAT PIECE	BRASS	1	Sn-PLATED			HAOYU(HONGKONG)LIMITED		APPD			
3	DC015G PIN	BRASS	1	Ni-PLATED			皓宇(香港)有限公司		PRO.AGL:		REV :A1	
2	DC014 COVER	PHENOLIC RESIN	1	YELLOW								
1	DC014 CASE	PBT	1	BLACK								
NO.	PART NAME	MATERIAL	QTY	FINISHING								