



# TF21364M

## 3-Phase Half-Bridge Gate Driver

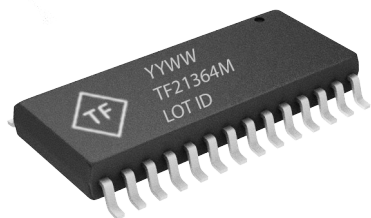
### Features

- Three floating high-side drivers in bootstrap operation to 600V
- 200mA source / 350mA sink output current capability
- Outputs tolerant to negative transients, dV/dt immune
- Wide VCC operating range: 10V to 20V
- Non-inverting logic inputs, 3.3V capability
- Internal deadtime of 290ns to protect MOSFETs
- Matched prop delay for all channels
- Schmitt triggered logic inputs
- Cross conduction prevention logic
- Undervoltage lockout for all channels
- Overcurrent protection shuts down drivers
- Extended temperature range: -40°C to +125°C

### Applications

- 3-Phase Motor Inverter Driver
- White Goods - Air Conditioner, Washing Machine, Refrigerator
- Industrial Motor Inverter - Power Tools, Robotics
- General Purpose 3-Phase Inverter

SOIC-28



### Description

The TF21364M is a three-phase gate driver IC designed for high voltage, high speed applications, driving N-channel MOSFETs and IGBTs in a half-bridge configuration. TF Semiconductor's high voltage process enables the TF21364M high sides to switch to 600V in a bootstrap operation.

The TF21364M logic inputs are compatible with standard TTL and CMOS levels (down to 3.3V) to interface easily with controlling devices and are enabled low to better function in high noise environments. The driver outputs feature high pulse current buffers designed for minimum driver cross conduction.

The TF21364M offers numerous protection functions. A shoot-through protection logic prevents both outputs being high with both inputs high (fault state), an undervoltage lockout for  $V_{CC}$  shuts down all drivers through an internal fault control, and a UVLO for  $V_{BS}$  shuts down the respective high side output. Also an overcurrent protection will terminate the six outputs. Both the  $V_{CC}$  UVLO and the overcurrent protection trip an automatic fault clear with a timing that is adjustable with an external capacitor.

The TF21364M is offered in SOIC 28 package and operates over an extended -40 °C to +125 °C temperature range.

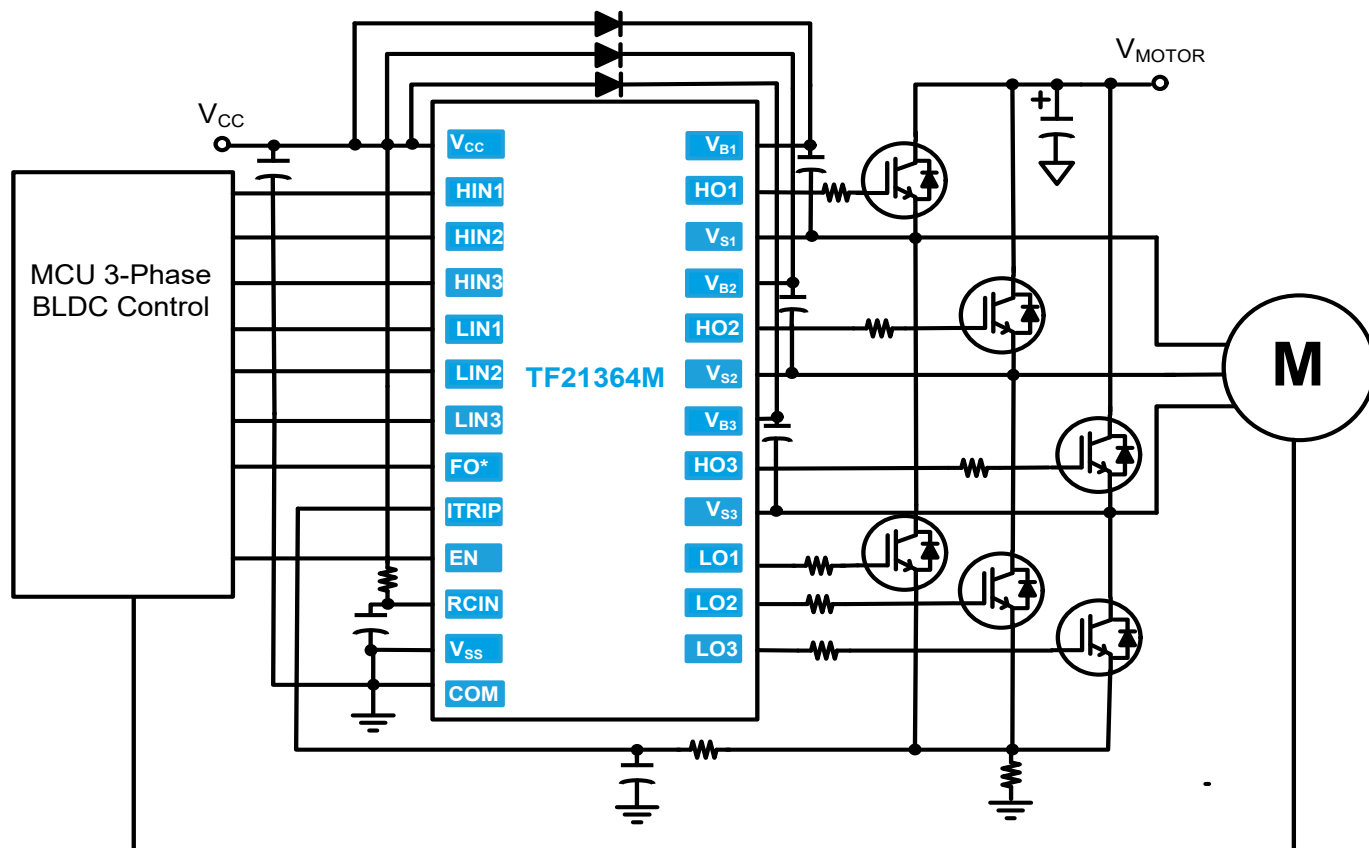
### Ordering Information

Year Year Week Week

PART NUMBER	PACKAGE	PACK / Qty	MARK
TF21364M-TLS	SOIC-28	Tube / 25	YYWW TF21364M
TF21364M-TLH	SOIC-28	T&R / 1500	Lot ID

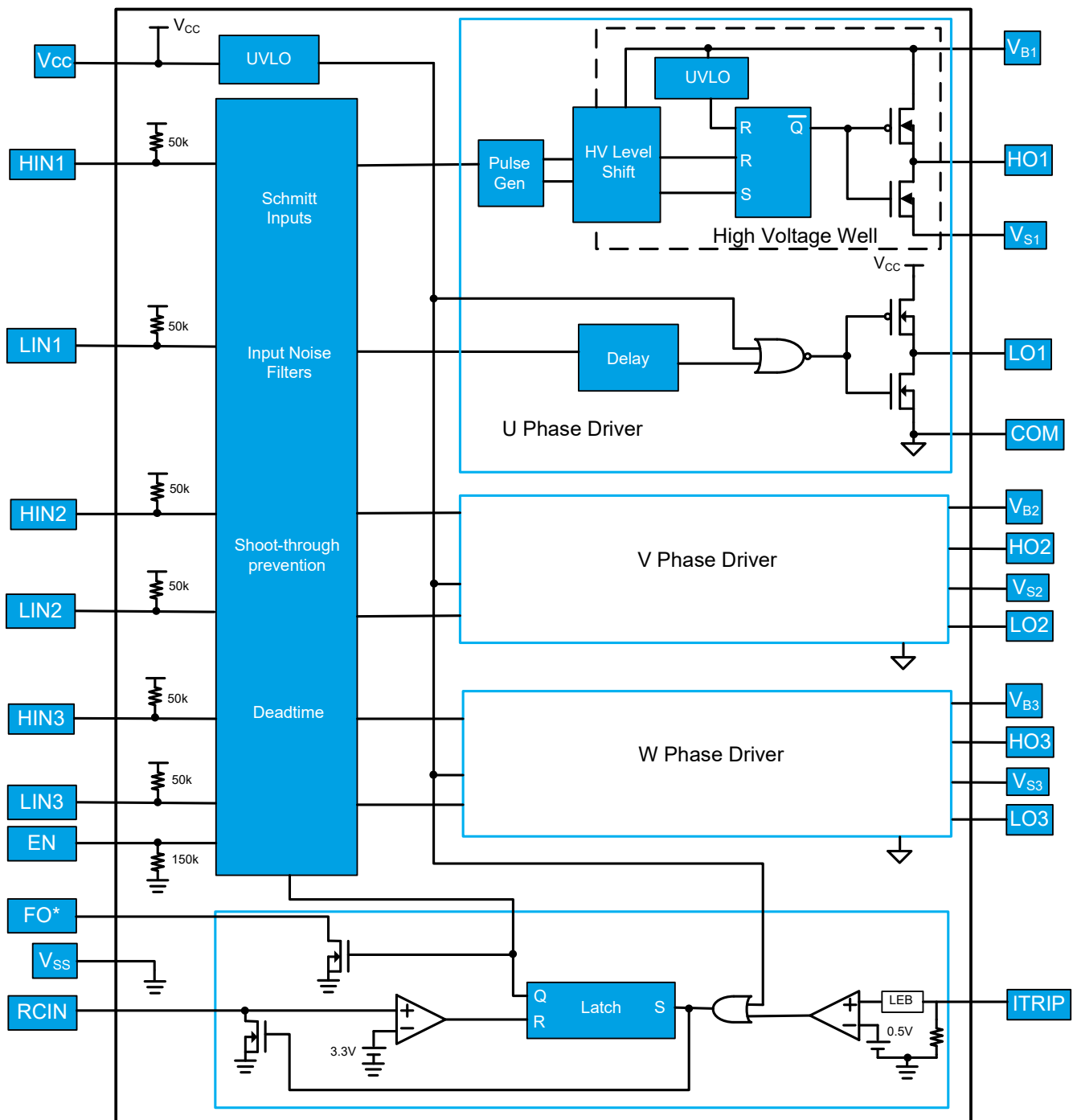


**Typical Application**



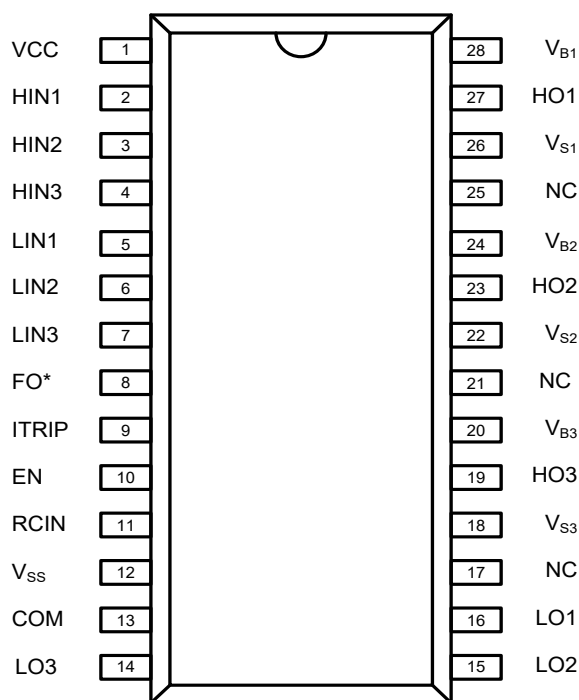


Functional Block Diagram





## Pin Diagrams



Top View: SOIC-28

## Pin Descriptions

PIN NAME	PIN NUMBER	PIN DESCRIPTION
VCC	1	Low-side and logic fixed supply
HIN1, HIN2, HIN3	2, 3, 4	Logic input for high-side gate driver output, in phase with HO.
LIN1, LIN2, LIN3	5, 6, 7	Logic input for low-side gate driver output, in phase with LO.
FO*	8	Fault output with open drain (fault with over-current and VCC UVLO)
ITRIP	9	Analog input for over-current shutdown
EN	10	Logic input for functionality, I/O logic functions when EN is high.
RCIN	11	An external RC network input used to define FAULT CLEAR delay
V <sub>SS</sub>	12	Logic ground
COM	13	Low-side driver return
LO3, LO2, LO1	14, 15, 16	Low-side gate driver output
NC	17, 21, 25	No Connect
V <sub>S3</sub> , V <sub>S2</sub> , V <sub>S1</sub>	18, 22, 26	High-side floating supply return
HO3, HO2, HO1	19, 23, 27	High-side gate driver output
V <sub>B3</sub> , V <sub>B2</sub> , V <sub>B1</sub>	20, 24, 28	High-side floating supply



## Absolute Maximum Ratings (NOTE1)

$V_B$  - High-side floating supply voltage.....-0.3V to +624V  
 $V_S$  - High-side floating supply offset voltage... $V_B$ -24V to  $V_B$ +0.3V  
 $V_{HO}$  - High-side floating output voltage..... $V_S$ -0.3V to  $V_B$ +0.3V  
 $V_{LO}$  - Low-side output voltage.....-0.3V to  $V_{CC}$ +0.3V  
 $dV_S/dt$  - Offset supply voltage transient.....50V/ns  
 $V_{CC}$  - Low-side fixed supply voltage.....-0.3V to +24V  
 $V_{IN}$  - Logic input voltage (HIN, LIN, ITRIP, EN and FO\*).....-0.3V to 5.5V

**NOTE1** Stresses beyond those listed under "Absolute Maximum Ratings" may cause permanent damage to the device. These are stress ratings only, and functional operation of the device at these or any other conditions beyond those indicated in the operational sections of the specifications is not implied. Exposure to absolute maximum rating conditions for extended periods may affect device reliability.

$P_D$  - Package power dissipation at  $T_A \leq 25^\circ\text{C}$   
 SOIC-28.....2.3W

### SOIC-28 Thermal Resistance (NOTE2)

$\theta_{JC}$ .....45  $^\circ\text{C}/\text{W}$   
 $\theta_{JA}$ .....60  $^\circ\text{C}/\text{W}$

$T_J$  - Junction operating temperature.....+150  $^\circ\text{C}$   
 $T_L$  - Lead Temperature (soldering, 10 seconds).....+300  $^\circ\text{C}$   
 $T_{stg}$  - Storage temperature .....-55 to 150  $^\circ\text{C}$

**NOTE2** Thermal resistance and power dissipation ratings are measured under board mounted and still air conditions.

## Recommended Operating Conditions

Symbol	Parameter	MIN	MAX	Unit
$V_B$	High side floating supply absolute voltage	$V_S + 10$	$V_S + 20$	V
$V_S$	High side floating supply offset voltage	<b>NOTE3</b>	600	V
$V_{HO}$	High side floating output voltage	$V_S$	$V_B$	V
$V_{CC}$	Low side fixed supply voltage	10	20	V
$V_{LO}$	Low side output voltage	COM	$V_{CC}$	V
$V_{IN}$	Logic input voltage (HIN, LIN, ITRIP, EN)	$V_{SS}$	5	V
$V_{FO}$	Fault output Voltage	$V_{SS}$	$V_{CC}$	V
$V_{SS}$	Logic Ground	-5	5	C
$T_A$	Ambient temperature	-40	125	$^\circ\text{C}$

**NOTE3** Logic operational for  $V_S$  of -5V to +600V.



## DC Electrical Characteristics (NOTE4)

$V_{BIAS} (V_{CC}, V_{BS}) = 15V, T_A = 25^\circ C$ , unless otherwise specified.

Symbol	Parameter	Conditions	MIN	TYP	MAX	Unit
$V_{IH}$	Logic "1" input voltage		2.4			V
$V_{IL}$	Logic "0" input voltage				0.8	
$V_{OH}$	High level output voltage, $V_{BIAS} - V_O$	$I_O = 0mA$			0.1	
$V_{OL}$	Low level output voltage, $V_O$	$I_O = 0mA$			0.1	
$I_{LK}$	Offset supply leakage current	$V_B = V_S = 600V$			10	$\mu A$
$I_{BSQ}$	Quiescent $V_{BS}$ supply current	$V_{IN} = 0V$ or $5V, EN=0V$	10	85	130	
$I_{CCQ}$	Quiescent $V_{CC}$ supply current	$V_{IN} = 0V$ or $5V, EN=0V$		1.1	1.6	mA
$I_{IN+}$	Logic input bias current (HO=LO=HIGH)	$V_{IN} = 5V$		130	200	$\mu A$
$I_{IN-}$	Logic input bias current (HO=LO=LOW)	$V_{IN} = 0V$		3.0	20	
$I_{EN+}$	Logic Enable "1" input bias current	$V_{EN} = 5V$		33	80	$\mu A$
$I_{EN-}$	Logic Enable "0" input bias current	$V_{EN} = 0V$			2	$\mu A$
$V_{BSUV+}$ $V_{CCUV+}$	$V_{BS}$ and $V_{CC}$ supply under-voltage positive going threshold		7.6	8.9	9.9	V
$V_{BSUV-}$ $V_{CCUV-}$	$V_{BS}$ and $V_{CC}$ supply under-voltage negative going threshold		7.1	8.3	9.4	
$I_{O+}$	Output high short circuit pulsed current	$V_O = 0V, PW \leq 10 \mu s$	120	200		mA
$I_{O-}$	Output low short circuit pulsed current	$V_O = 15V, PW \leq 10 \mu s$	250	350		
$V_{ITH+}$	Overcurrent detect positive threshold		400	500	600	mV
$V_{ITH-}$	Overcurrent detect negative threshold		340	420	500	mV
$I_{CSIN}$	Short-circuit input current	$V_{CSIN}=1V$	6.0	11	16	$\mu A$
$V_{RCINTH+}$	RCIN Positive going threshold voltage		7.0	8.4	9.8	V
$V_{RCINTH-}$	RCIN Negative going threshold voltage			5		V
$V_{FOL}$	Fault output low level voltage	$V_{CS}=1V, I_{FO}=1.5mA$		0.2	0.5	V
$R_{DSRCIN}$	RCIN On resistance	$I_{RCIN}=1.5mA$	40	75	110	$\Omega$
$R_{DSFO}$	Fault output on resistance	$I_{FO}=1.5mA$	80	130	180	$\Omega$

**NOTE4** The  $V_{IH}$ ,  $V_{TH}$ , and  $I_{IN}$  parameters are referenced to  $V_{SS}$  and are applicable to all six channels (HIN1,2,3 and LIN1,2,3). The  $V_O$  and  $I_O$  parameters are applicable to the outputs (HO1,2,3 and LO1,2,3 and are referenced to COM.



## AC Electrical Characteristics

$V_{BIAS} (V_{CC}, V_{BS}) = 15V$ ,  $C_L = 1000pF$ , and  $T_A = 25^\circ C$ , unless otherwise specified.

Symbol	Parameter	Conditions	MIN	TYP	MAX	Unit
$t_{on}$	Turn-on propagation delay	$V_S = 0V$	200	330	460	ns
$t_{off}$	Turn-off propagation delay	$V_S = 0V$	200	330	460	
$t_r$	Turn-on rise time	$V_S = 0V$		90	150	
$t_f$	Turn-off fall time			35	60	
$t_{DM}$	Delay matching				50	ns
$t_{EN}$	Enable low to output shutdown delay		225	330	425	ns
$t_{BLT}$	ITRIP Pin leading-edge blanking time		200	300	400	ns
$t_{FLT}$	Time from ITRIP triggering to FO*	From $V_{ITRIP} = 1V$ to FO* turn off	360	550	760	ns
$t_{ITRIP}$	Time from ITRIP triggering to all gate outputs turn off	From $V_{ITRIP} = 1V$ to starting gate turn off	420	615	820	ns
$t_{FLTIN}$	Input filtering time (HIN, LIN, EN)			250		ns
$t_{FLTCLR}$	Fault clear time	$C_{RCIN} = 1nF, R_{RCIN} = 2M\Omega$		1.6		ms
$t_{DT}$	Deadtime		200	290	420	ns
$t_{DTM}$	Deadtime matching				50	ns
$t_{PM}$	Output pulse width matching ( <b>NOTES</b> )	$PW_{IN} > 1\mu s$		50	75	ns

**NOTES**  $t_{PM}$  is defined as  $PW_{IN} - PW_{OUT}$ .



# Timing Waveforms

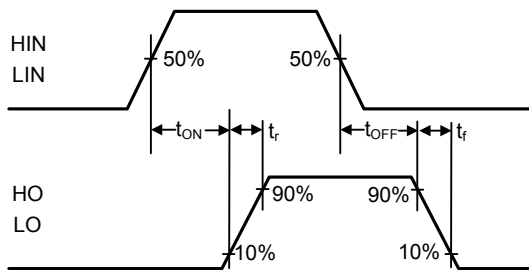


Figure 1. Switching Time Waveform Definitions

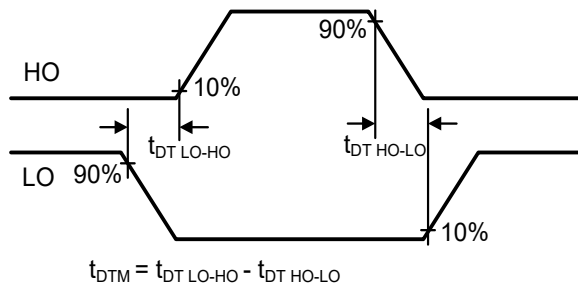


Figure 2. Deadtime Waveform Definitions

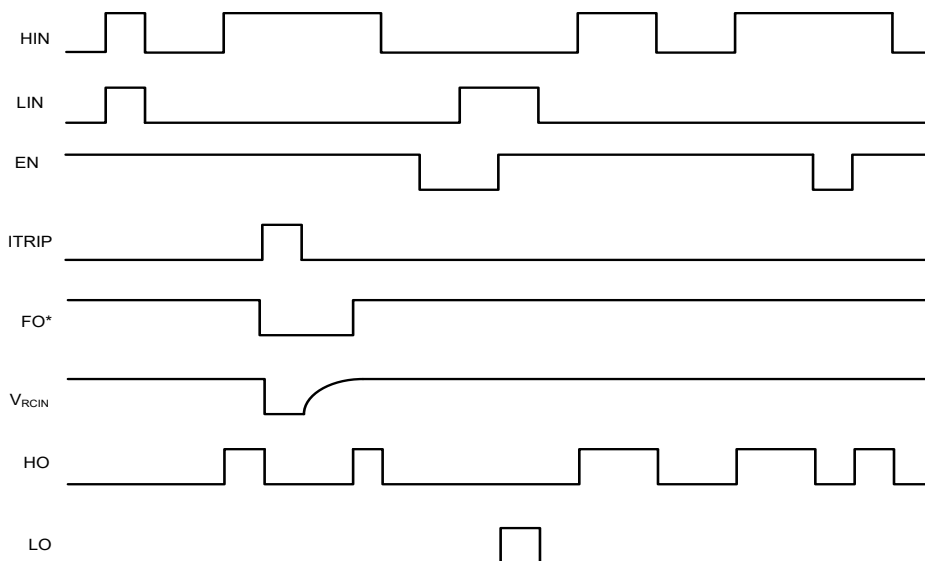


Figure 3. Input/Output Timing Diagram

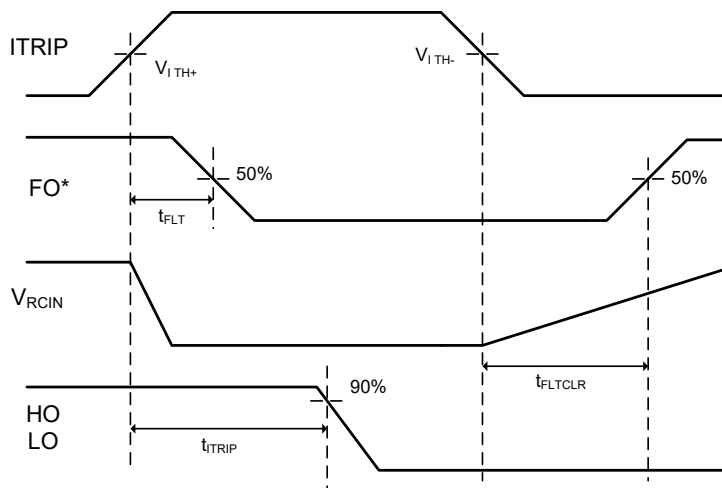


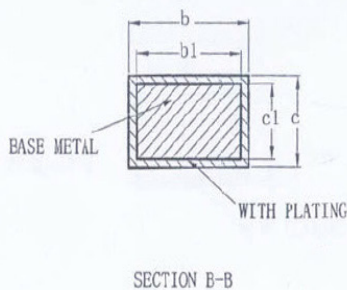
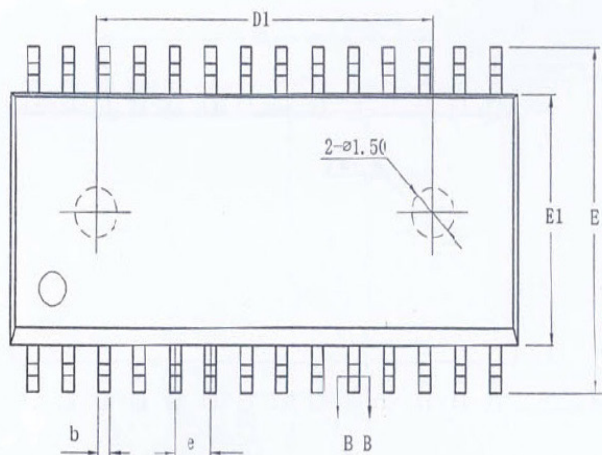
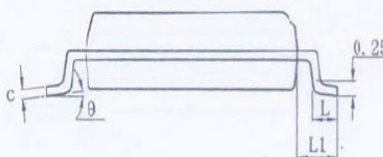
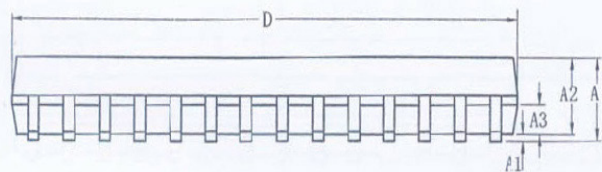
Figure 4. Overcurrent Timing Definitions





## Package Dimensions (SOIC-28)

Please contact support@tfsemi.com for package availability.



SYMBL	MILLIMETER		
	MIN	NOM	MAX
A	—	—	2.65
A1	0.10	—	0.30
A2	2.25	2.30	2.35
A3	0.97	1.02	1.07
b	0.39	—	0.48
b1	0.38	0.41	0.43
c	0.25	—	0.31
c1	0.24	0.25	0.26
D	17.80	18.00	18.20
D1	11.90	12.00	12.10
E	10.10	10.30	10.50
E1	7.30	7.50	7.70
e	1.27BSC		
L	0.70	—	1.00
L1	1.40BSC		
•	0	—	8°
	120°120		



## Revision History

Rev.	Change	Owner	Date
1.0	First release AI datasheet	Keith Spaulding	3/1/2019

## Important Notice

TF Semiconductor Solutions (TFSS) PRODUCTS ARE NEITHER DESIGNED NOR INTENDED FOR USE IN MILITARY AND/OR AEROSPACE, AUTOMOTIVE OR MEDICAL DEVICES OR SYSTEMS UNLESS THE SPECIFIC TFSS PRODUCTS ARE SPECIFICALLY DESIGNATED BY TFSS FOR SUCH USE. BUYERS ACKNOWLEDGE AND AGREE THAT ANY SUCH USE OF TFSS PRODUCTS WHICH TFSS HAS NOT DESIGNATED FOR USE IN MILITARY AND/OR AEROSPACE, AUTOMOTIVE OR MEDICAL DEVICES OR SYSTEMS IS SOLELY AT THE BUYER'S RISK.

TFSS assumes no liability for application assistance or customer product design. Customers are responsible for their products and applications using TFSS products.

Resale of TFSS products or services with statements different from or beyond the parameters stated by TFSS for that product or service voids all express and any implied warranties for the associated TFSS product or service. TFSS is not responsible or liable for any such statements.

©2019 TFSS. All Rights Reserved. Information and data in this document are owned by TFSS wholly and may not be edited, reproduced, or redistributed in any way without the express written consent from TFSS.

For additional information please contact [support@tfsemi.com](mailto:support@tfsemi.com) or visit [www.tfsemi.com](http://www.tfsemi.com).