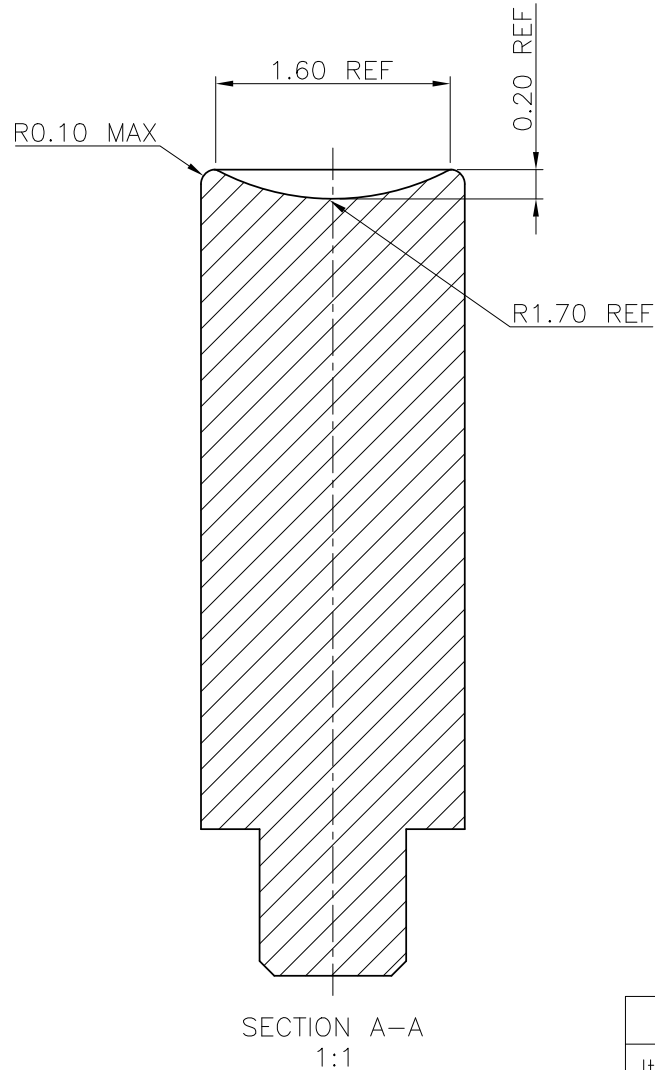
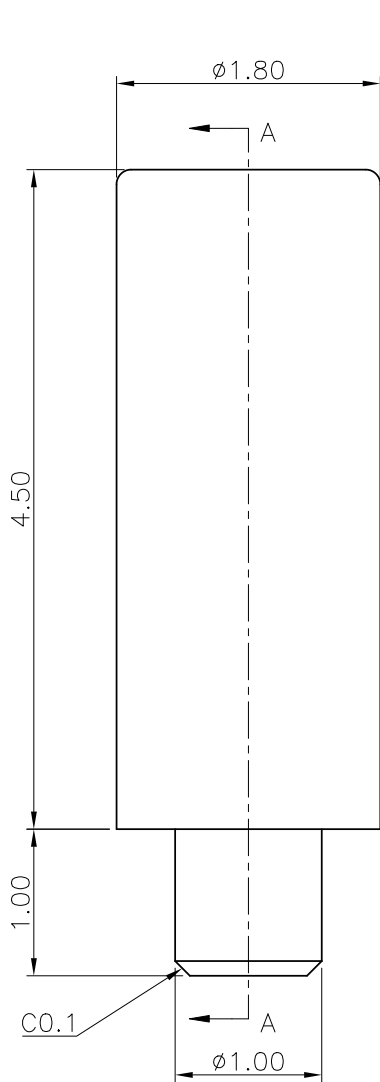
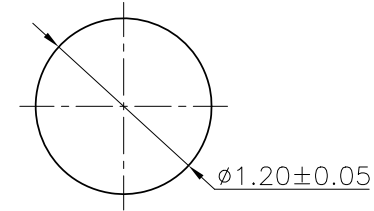


THIS INFORMATION IS CONFIDENTIAL AND IS DISCLOSED TO YOU ON CONDITION THAT NO FURTHER DISCLOSURE IS MADE BY YOU TO OTHER THAN TOP-LINK PERSONNEL WITHOUT WRITTEN AUTHORIZATION FROM TOP-LINK LTD.



Notes:

- 1 Dimensions shall be interpreted per ASME Y14.5M
- 2 Electrical performance
 - <3.1>Current rating: 2.0A
 - <3.2>Voltage rating: 36VAC/DC
 - <3.3>Contact Resistance: 30mOhm Max
 - <3.4>Insulation Resistance: 100MOhm minimum
- 3 Environmental performance
 - <4.1>RoHS compliant
 - <4.2>Salt Spray: 48h Min
 - <4.3>Operating Temperature range: -40°C~+85°C
 - <4.4>Withstanding Higt Temperature: 260°C/10Sec
 - <4.5>Artificial Sweat: 24h Min
- 4 Packaging: Carrier tape

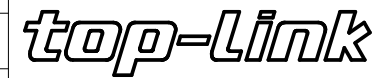


RECOMMEND PCB LAYOUT(TOP VIEW)

XA	New Release	2018.10.25
Item	Revision record	Date

Top-Link
Electronics Ltd.
TOLERANCES UNLESS
OTHER SPECIFIED
0. = ± -
0.0 = ± 0.15
0.00 = ± 0.10
0.000 = ± -
Angle: ±1°
SURF TEXTURE:
REMOVE BURRS.
BREAK SHARP EDGES
R0.05 MAX.DO NOT
SCALE PRINT.

1	Solid PIN	1	Lead free Brass	Au plating 0.25um min CuZn plating 1.4um min
Item	Part Name	Q'TY	Material	Finish
Type		Customer drawing		Unit mm
DWN:		Alan		APVD:
CHK:		REL:		
NAME Solid PIN Connector				
Scale 1:1	Size A4		Part NO. 10101012603	Page 1/1
				Rev: XA



4

3

2

1

D

C

B

A