

Specifications

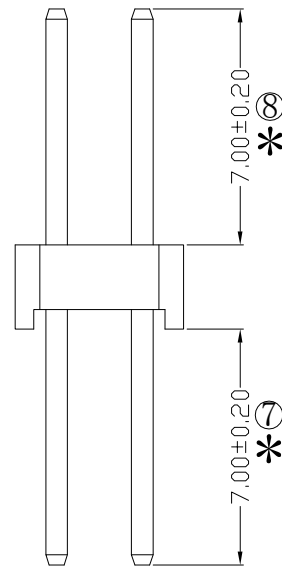
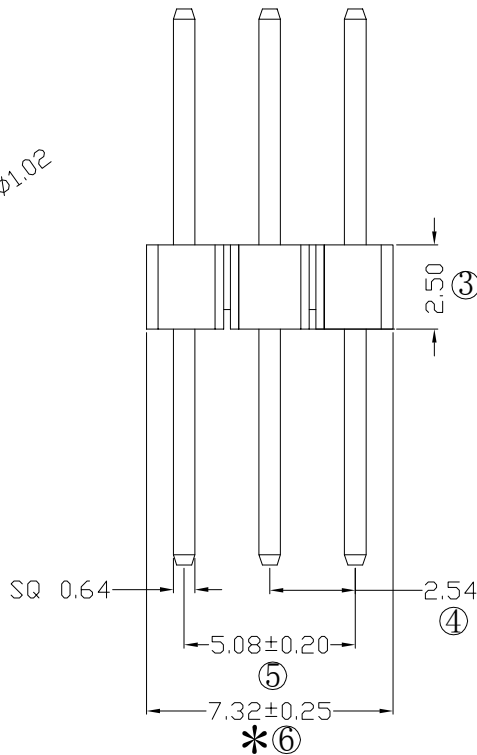
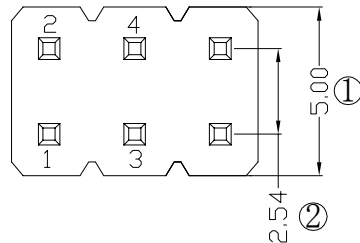
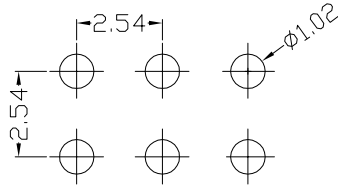
备注 (Remark)

1. 材料 (MATERIAL)

胶芯: PA9T+30%G.F UL94V-0, 颜色: 黑色.
 Housing: PA9T+30%G.F UL94V-0, Color: Black
 四方针: 黄铜, 镍底50u~MIN, 表面镀普金
 Contact: Brass, GOLD PLATING OVER ALL

2. 特性 (characteristics):

额定电流: 3 AMP
 Raring Current: 3 AMP.
 接触阻抗: 20 mΩ MAX.
 Contact Resistance: 20 mΩ MAX.
 绝缘阻抗: 1000 MΩ MIN.
 Insulating Resistance: 1000 MΩ MIN.
 耐电压: AC 500V/分钟.
 Withstanding Voltage: AC 500V/Minute.
 温度范围: -40° C to +105° C
 Temperture Range: -40° C to +105° C



Ordering Information

P125-12 03 A0 C S 165 A 1

HEIGHT OF HOUSING	NO. OF PINS PER ROW	Contact Full Cf Gold	Plating Semi-gold	INSULATOR MATERIAL:	LENGTH OF TERMINAL	PACKING
15: 1.5mm	2-40P	A0=0.8u"	B0=0.8U"	A: PBT		A: PE Bag
17: 1.7mm		A1=1u"	B1=1U"	B: PA6T		B: Tape & Reel
20: 2.0mm		A2=1.5u"	B2=1.5U"	C: PA9T		C: Tube
25: 2.5mm		A3=2u"	B3=2U"	D: LCP		D: Tube+CAP
30: 3.0mm		A4=3u"	B4=3U"			E: Tray
		A5=5u"	B5=5U"			
		A6=10u"	B6=10U"			
		A7=15u"	B7=15U"			
		A8=20u"	B8=20U"			
		A9=30u"	B9=30U"			
		S1=Ordinary Tin Plated				
		S2=Matte Tin Plated				
		S3=Tin-plated High-temperature				

RoHS COMPLIANT

客编:
 1. 带*为品质重点检验尺寸

注意事项

			OPERATION	SCALE	Fit	Yxcon 东莞市宇熙精密连接器有限公司		
			X.X ±0.25	UNIT	MM	www.yxcon.com Dongguan Yuxi Electronic Co.,Ltd.		
			X.XX ±0.20	SIZE	A4	DESIGN	PART NO	P125-1203A0CS165A1
A0	2022.02.21	/	X.XXX ±0.10	SHEET	1/1	CHECK	李官森2022.02.21	2.54排针 2*3P L=16.5/7.0 180度
REV	DATE	SYMBOL	Angle ±3°	PRQJ.	APPROVE		TITLE:	PA9T料 镀普金 袋装
			DIM TOL				Customer No.	
			新版发行					
			MODIFICATION DESCRIPTION					