

# Specifications

备注 (Remark)

1. 材料 (MATERIAL)

胶芯: PA9T+30%G.F UL94V-0, 颜色: 黑色.

Housing: PA9T+30%G.F UL94V-0, Color: Black

端子: 青铜, 镍底30u"MIN, 表面镀高温亮锡

Contact: Bronze, BRIGHT TIN-PLATED HIGH-TEMPERATURE OVER ALL  
30u" MIN NICKEL UNDERPLATING OVER ALL

2. 特性 (characteristics):

额定电流: 3 AMP

Rating Current: 3 AMP.

接触阻抗: 20 mΩ MAX.

Contact Resistance: 20 mΩ MAX.

绝缘阻抗: 1000 MΩ MIN.

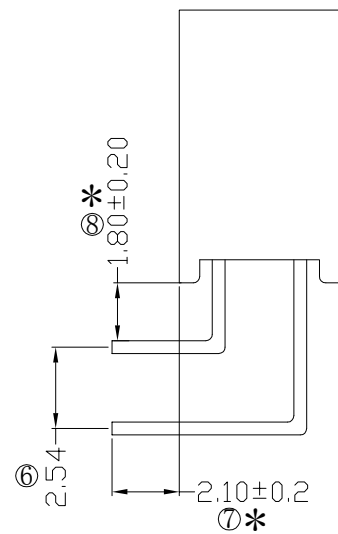
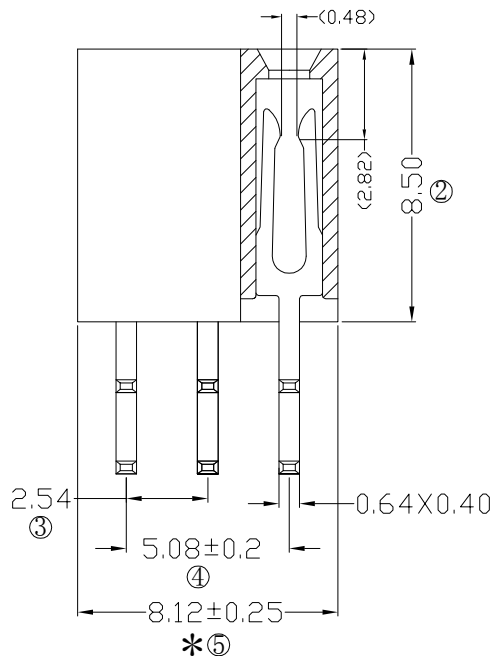
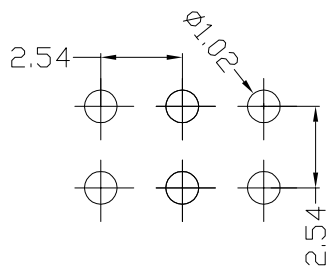
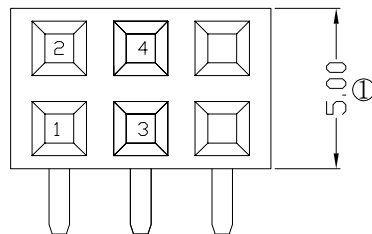
Insulating Resistance: 1000 MΩ MIN.

耐电压: AC 500V/分钟.

Withstanding Voltage: AC 500V/Minute.

温度范围: -40° C to +105° C

Temperature Range: -40° C to +105° C



# Ordering Information

F185-12 03 S3 C RY B 1

NO. OF PINS PER ROW 2-40P	Contact Full of Gold A0=0.8u" A1=1u" A2=1.5u" A3=2u" A4=3u" A5=5u" A6=10u" A7=15u" A8=20u" A9=30u"	Plating Semi-gold B0=0.8U" B1=1U" B2=1.5U" B3=2U" B4=3U" B5=5U" B6=10U" B7=15U" B8=20U" B9=30U"	INSULATOR MATERIAL: A: PBT B: PA9T C: PA9T D: LCP	PACKING A: PE Bag B: Tape & Reel C: Tube D: Tube+CAP E: Tray
	S1=Ordinary Tin Plated S2=Matte Tin Plated S3=Tin-plated High-temperature			

RoHS  
COMPLIANT

客编:

1. 带\*为品质重点检验尺寸

注意事项

				OPERATION		SCALE		Fit		东莞市宇熙精密连接器有限公司 www.yxcon.com Dongguan Yuxi Electronic Co., Ltd.	
				X.X	±0.25	UNIT		MM			
				X.XX	±0.20	SIZE	A4	DESIGN	李官森2021.12.17	PART NO.	F185-1203S3CRYB1
				X.XXX	±0.10	SHEET	1/1	CHECK		TITLE:	FH2.54*8.5 2*3P 90度 内径1.8 DIP:2.1 PA9T原料 镀高温亮锡 400PCS/卷 6000PCS/箱
REV	DATE	SYMBOL	MODIFICATION DESCRIPTION		ANGLE	±3°	PROJ.	APPROVE	Customer No.		
					DIM	TOL					