

# Specifications

备注 (Remark)

1. 材料 (MATERIAL)

胶芯: PA9T+30%G.F UL94V-0, 颜色: 黑色.

Housing: PA9T+30%G.F UL94V-0, Color: Black

端子: 青铜, 镍底30u"MIN, 表面镀普金

Contact: Bronze, GOLD PLATING OVER ALL

30u" MIN NICKEL UNDERPLATING OVER ALL

2. 特性 (characteristics):

额定电压: 250V AC/DC

Rated Voltage: 250V AC/DC

额定电流: 3 AMP

Rating Current: 3 AMP.

接触阻抗: 20 mΩ MAX.

Contact Resistance: 20 mΩ MAX.

绝缘阻抗: 1000 MΩ MIN.

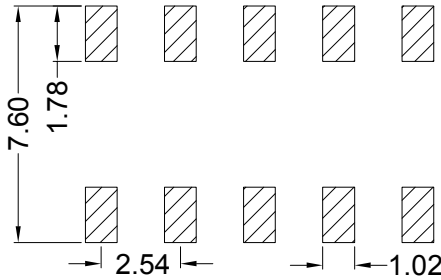
Insulating Resistance: 1000 MΩ MIN.

耐电压: AC 500V/分钟.

Withstanding Voltage: AC 500V/Minute.

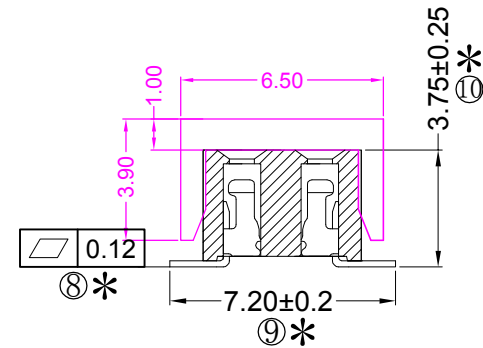
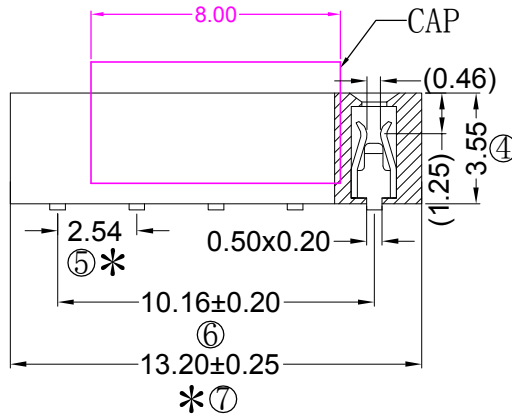
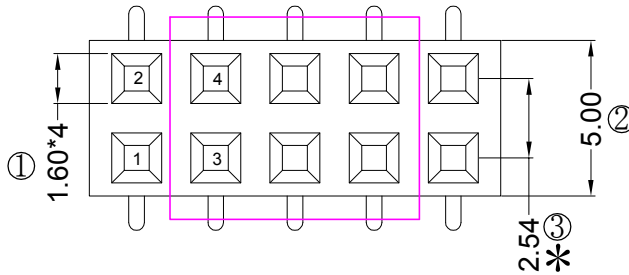
温度范围: -40° C to +105° C

Temperature Range: -40° C to +105° C



Recommended P. C. B LAYOUT

General Tolerance ±0.05



# Ordering Information

F136-12 05 A0 C MU B 7

NO. OF PINS  
PER ROW  
2-40P

Contact  
Full Gold

Plating  
Semi-gold

INSULATOR  
MATERIAL:

PACKING  
A: PE Bag

A0=0.8u"

B0=0.8U

E: PA6T

B: Tape & Peel

A1=1u"

B1=1U

C: PA9T

C: Tube

A2=1.5u"

B2=1.5U

D: LCP

D: Tube+CAP

A3=2u"

B3=2U

E: LCP

E: Tray

A4=3u"

B4=3U

E: LCP

E: Tray

A5=5u"

B5=5U

E: LCP

E: Tray

A6=10u"

B6=10U

E: LCP

E: Tray

A7=15u"

B7=15U

E: LCP

E: Tray

A8=20u"

B8=20U

E: LCP

E: Tray

A9=30u"

B9=30U

E: LCP

E: Tray

S1=Ordinary Tin Plated

S2=Matte Tin Plated

S3=Tin-plated High-temperature

RoHS  
COMPLIANT

客编:

注意事项

- 带\*为品质重点检验尺寸
- 保持力0.5kgf Min

			OPERATION	SCALE	Fit	东莞市宇熙精密连接器有限公司 www.yxcon.com Dongguan Yuxi Electronic Co., Ltd.			
			X.X ±0.25	UNIT	MM				
			X.XX ±0.20	SIZE	A4	DESIGN	李官森2022.11.24	PART NO	F136-1205A0CMUB7
			X.XXX ±0.10	SHEET	1/1	CHECK		TITLE	FH2.54*3.6 2*5P SMT:7.2 总长13.2 杯口1.6*1.6 U型 PA9T料 镀普金 CAP+800/卷
REV	DATE	SYMBOL	MODIFICATION DESCRIPTION	DIAM	TOL	PROJ.	APPROVE	Customer No.	
A0	2022.11.24	/	新版发行						