

SILICON BRIDGE RECTIFIERS

Features

- ◆ Rating to 1000V prv
- ◆ deal for printed circuit board
- ◆ Reliable low cost construction utilizing molded plastic
- ◆ technique Plastic material has U/L lammability classification 94V-0
- ◆ Low forward voltage drop,high current capability

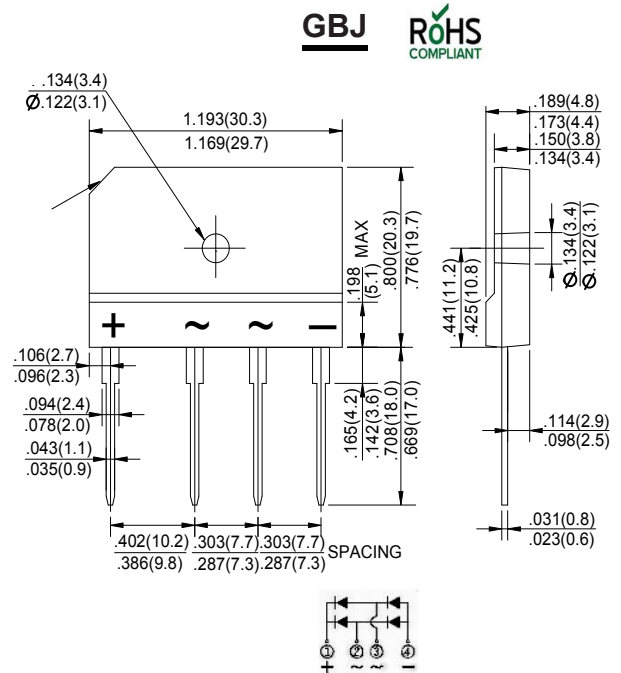
Mechanical Data

Case : JEDEC GBJ Molded plastic body

Terminals : Solder plated, solderable per MIL-STD-750,Method 2026

Polarity : Polarity symbol marking on body

Mounting Position : Any



Dimensions in inches and (millimeters)

Maximum Ratings And Electrical Characteristics

Ratings at 25°C ambient temperature unless otherwise specified.

Single phase half-wave 60Hz, resistive or inductive load, for capacitive load current derate by 20%.

Parameter	SYMBOLS	MDD GBJ25005	MDD GBJ2501	MDD GBJ2502	MDD GBJ2504	MDD GBJ2506	MDD GBJ2508	MDD GBJ2510	UNITS
Marking Code									
Maximum repetitive peak reverse voltage	V_{RRM}	50	100	200	400	600	800	1000	V
Maximum RMS voltage	V_{RMS}	35	70	140	280	420	560	700	V
Maximum DC blocking voltage	V_{DC}	50	100	200	400	600	800	1000	V
Maximum average forward (with heatsink NOTE 2) Rectified current @ $T_c = 100^\circ\text{C}$ (without heatsink)	I_{AV}	25.0 4.2							A
Peak forward surge current 8.3ms single half sine-wave superimposed on rated load (JEDEC Method)	I_{FSM}	350							A
Rating for Fusing ($t < 8.3\text{ms}$)	I^2t	510							A^2s
Maximum forward voltage at 12.5A DC	V_F	1.0							V
Maximum DC reverse current $T_A = 25^\circ\text{C}$ at rated DC blocking voltage $T_A = 125^\circ\text{C}$	I_R	10 0.5							μA mA
Typical Junction Capacitance (Note 1)	C_J	85							pF
Typical Thermal Resistance (Note 2)	$R_{\theta JC}$	1.0							$^\circ\text{C}/\text{W}$
Operating junction temperature range	T_J	-55 to +150							$^\circ\text{C}$
storage temperature range	T_{STG}	-55 to +150							$^\circ\text{C}$

NOTES: 1. Measured at 1.0MHz and applied reverse voltage of 4.0V DC.

2. Device mounted on 250mm x 250mm x 20mm aluminum plate heatsink.

3. The typical data above is for reference only.

Ratings And Characteristic Curves

Fig. 1 Derating Curve for Output Rectified Current

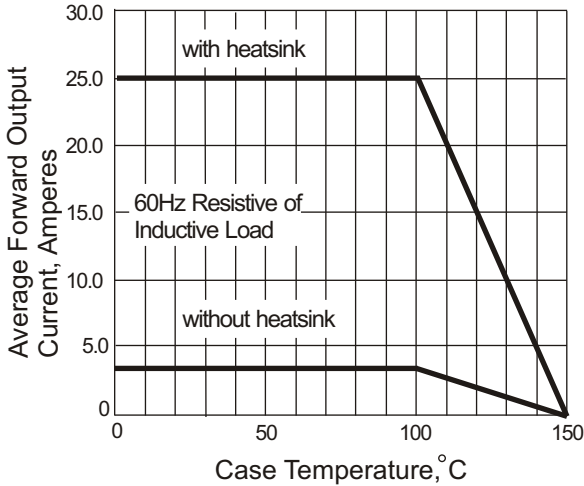


Fig. 2 Maximum Non-repetitive Peak Forward Surge Current

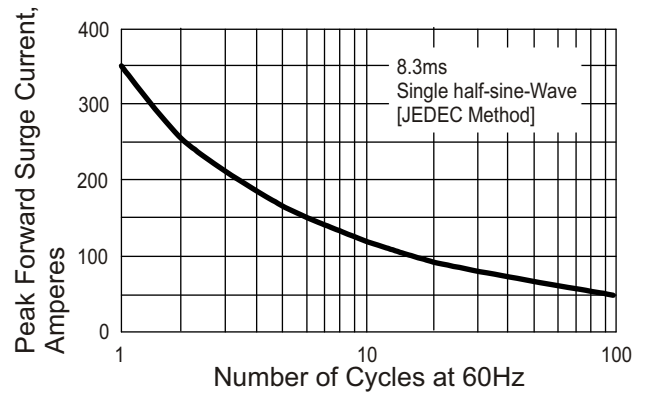


Fig. 3 Typical Instantaneous Forward Characteristics

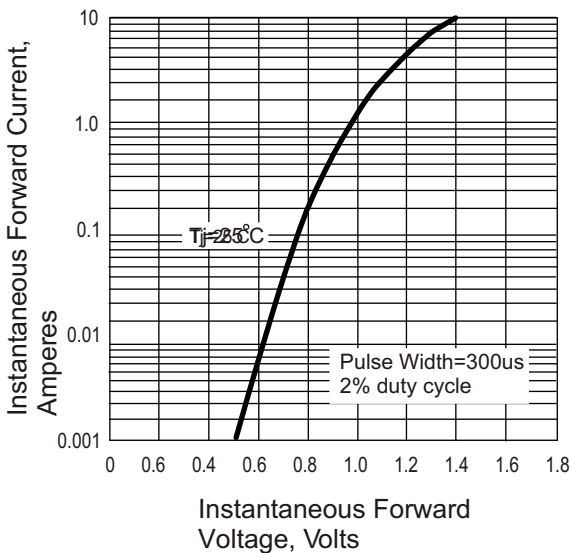


Fig. 4 Typical Reverse Characteristics at Tj=25°C

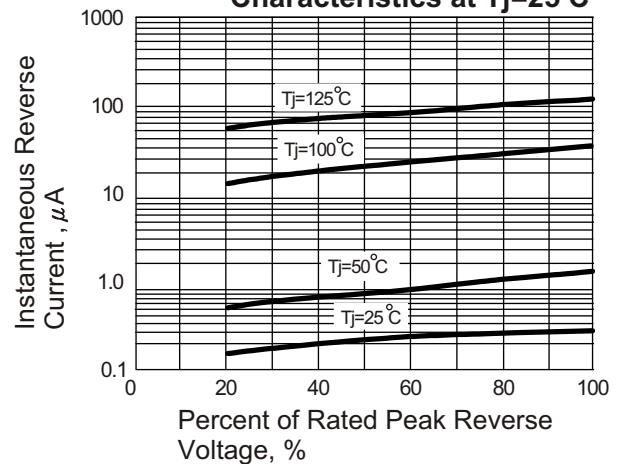
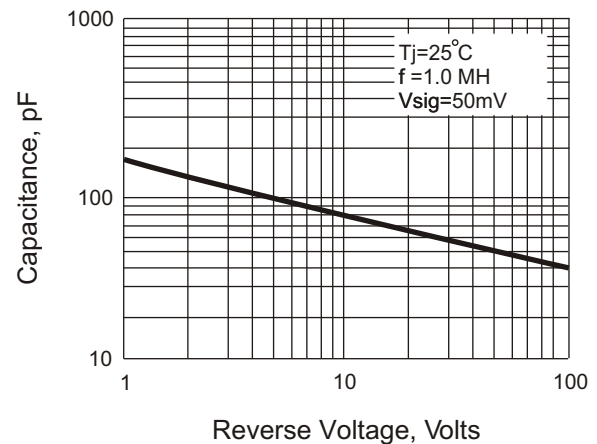


Fig. 5 Typical Junction Capacitance



The curve above is for reference only.