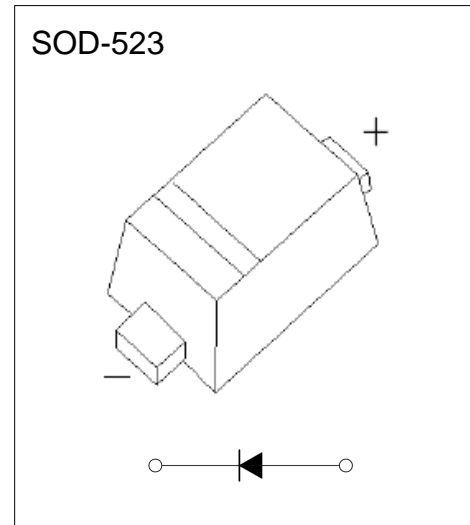


■ Features

- Small surface mounting type
- High Current Capability
- Low reverse current and low forward voltage
- High reliability

■ Mechanical Data

- package:SOD-523
- Polarity: Color band denotes cathode end
- Flammability rating of epoxy resin: UL 94V-0
- Mounting Position: Any



■ Ordering Information

Part Number	Package	Marking	Packing	Quantity per reel	Reel Size
RB521S30T1G	SOD-523	C	Tape & Reel	3,000 PCS	7 inches

■ Maximum Ratings & Thermal Characteristics(Ratings at 25 °C ambient temperature unless otherwise specified.)

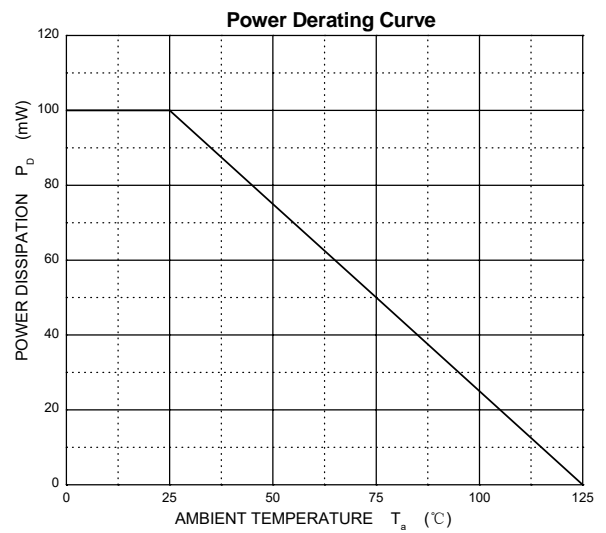
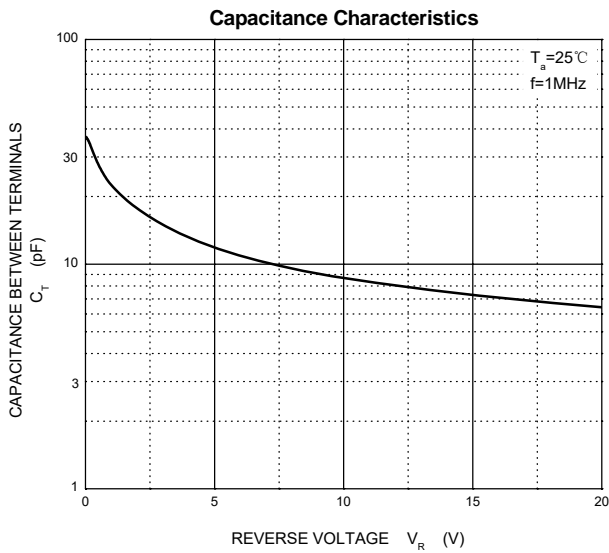
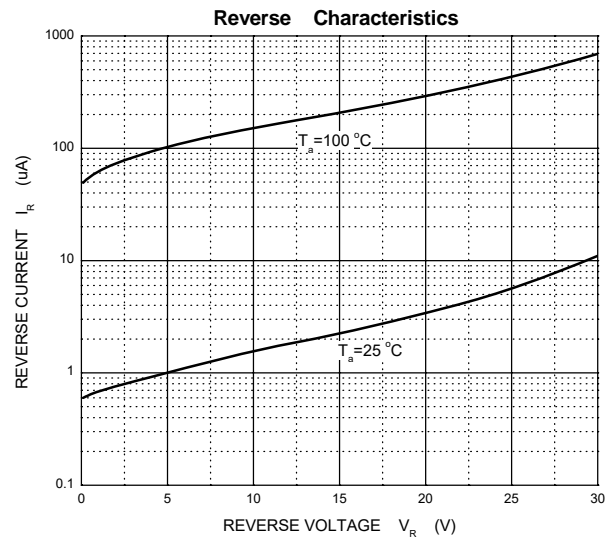
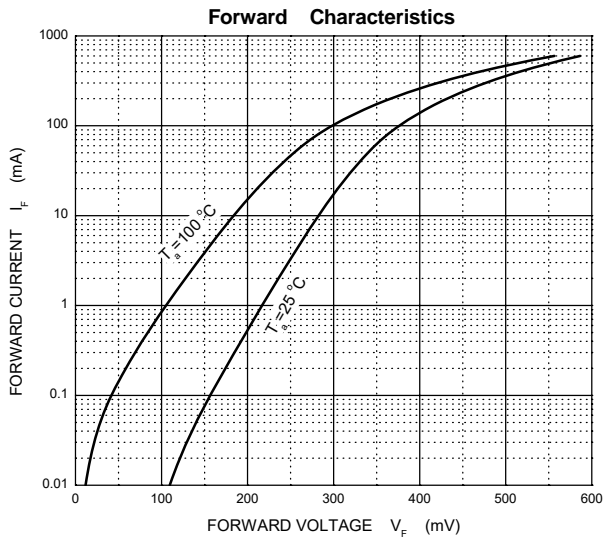
Parameters	Symbol	Limit	Unit
Peak reverse voltage	VRM	30	V
DC reverse voltage	VR	30	V
Mean rectifying current	Io	0.2	A
Peak forward surge current 8.3 ms single half sine-wave	IFSM	1.0	A
Typical thermal resistance	RθJA	667	°C/W
Power Dissipation	PD	150	mW
Storage temperature range	TSTG	-50-+150	°C

■ Electrical Characteristics(Ratings at 25 °C ambient temperature unless otherwise specified)

Parameters	Symbol	Test conditions	Min	Typ	Max	Unit
Maximum forward voltage	VF	IF = 10mA IF = 200mA			0.35 0.50	V
Maximum reverse breakdown voltage	VR	IR=1mA	30			V
Maximum reverse current	IR	VR=10V			30	uA

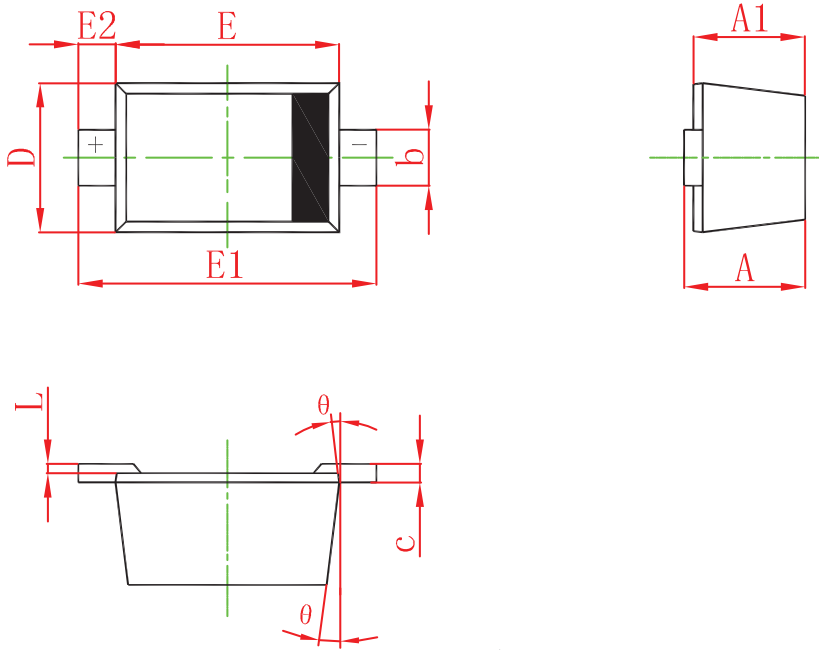


■ Typical Characteristics





■ SOD-523 Package Outline Dimensions



Symbol	Dimensions In Millimeters		Dimensions In Inches	
	Min	Max	Min	Max
A	0.510	0.770	0.020	0.031
A1	0.500	0.700	0.020	0.028
b	0.250	0.350	0.010	0.014
c	0.080	0.150	0.003	0.006
D	0.750	0.850	0.030	0.033
E	1.100	1.300	0.043	0.051
E1	1.500	1.700	0.059	0.067
E2	0.200 REF		0.008 REF	
L	0.010	0.070	0.001	0.003
θ	7° REF		7° REF	