

REVISION RECORD				
REV	ECN	DESCRIPTION	DRFT	DATE

NOTES1:
 UL Standard
 1. Rated voltage/current : 150V / 8A
 2. Withstanding voltage : AC1500V/1Min.
 3. Wire range : 26~16AWG

IEC Standard

1.

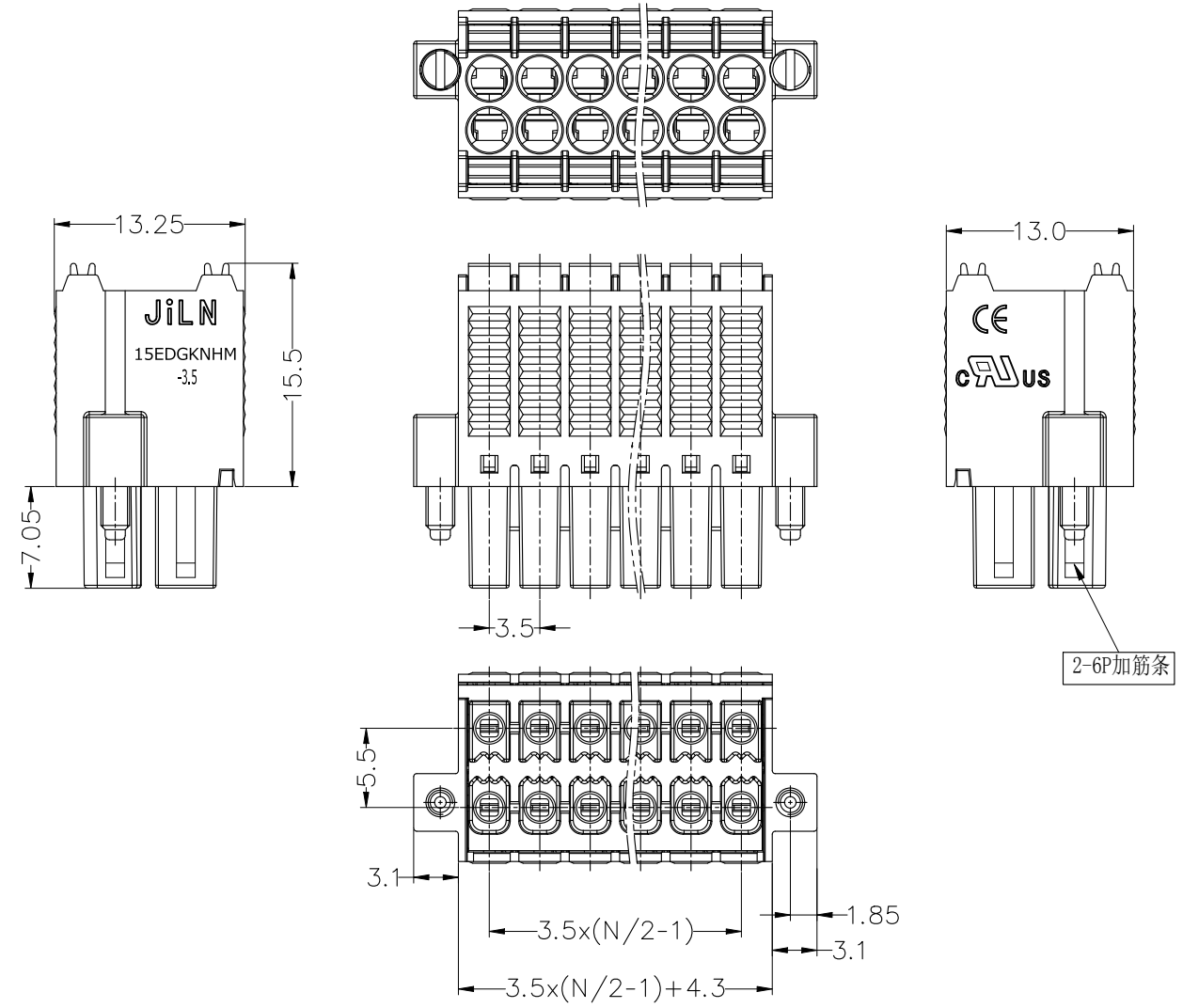
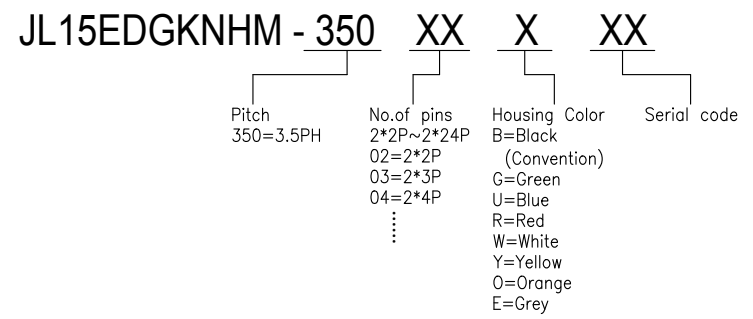
Pollution degree	2
Overvoltage category	III
Rate impulse voltage(KV)	2.5KV
Rate voltage(V)	160V
Rate current(A)	8A

NOTES2:
 1. Dimension shall be interpreted per ASME Y14.5-2009
 2. Pitch : 3.5mm, Poles : N=04~48P
 3. Stripping length : 9-10mm
 4. Operating temperature: -40°C~+105°C
 5. Undimensioned tolerances:

Pitch range in mm		Nominal dimension range in mm						-	∩	∇
TO	Over	Over	TO	Over	Over	Over	Over	0.1/10		
6	10	24	30	60	100	150	150			
±0.15	±0.20	±0.30	±0.30	±0.50	±0.70	±1.00	±1.30		±2*	

6. RoHS Compliance

Ordering Information



DRAW	SHUANGPING ZHENG	SCALE	FIT	东莞市锦凌电子有限公司 DONGGUAN JINLING ELECTRONIC CO., LTD	
		UNIT	mm		
CHECK	LICHAO LIU	SIZE	A4	PART NO.	JL15EDGKNHM-350XXXXX
		SHEET	1/1	TITLE:	JL15EDGKNHM-3.5-2xNP插拔式母座/带耳
APPROVE	YONGLIANG GAO	PROJ.			