

# Specifications

备注(Remark)

## 1. 材料(MATERIAL)

胶芯: PA9T+30%G.F UL94V-0, 颜色:黑色.

Housing:PA9T+30%G.F UL94V-0, Color:Black

四方针: 黄铜, 镍底30u"MIN, 表面镀高温亮锡

Contact:Brass, BRIGHT TIN-PLATED HIGH-TEMPERATURE OVER ALL  
30u" MIN NICKEL UNDERPLATING OVER ALL

## 2. 特性 (characteristics):

额定电流: 2 AMP

Rating Current:2 AMP.

接触阻抗: 20 mΩ MAX.

Contact Resistance:20 mΩ MAX.

绝缘阻抗: 1000 MΩ MIN.

Insulating Resistance:1000 MΩ MIN.

耐电压: AC 500V/分钟.

Withstanding Voltage:AC 500V/Minute.

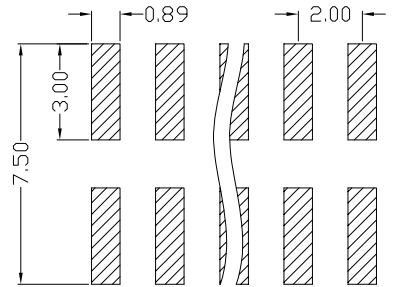
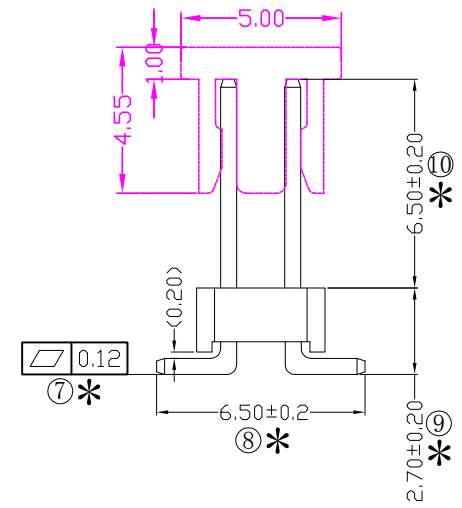
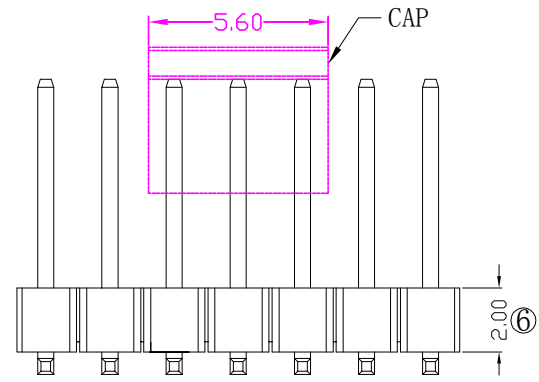
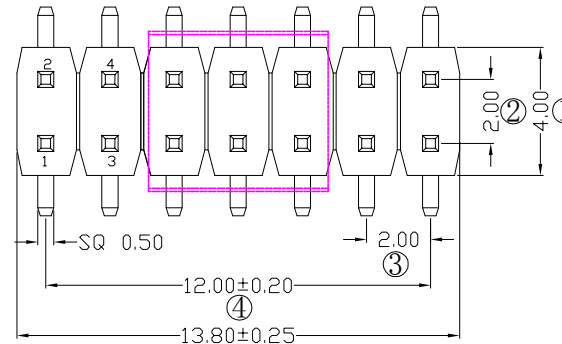
温度范围: -40° C to+105° C

Temperature Range: -40° C to+105° C

# Ordering Information

P220-12 07 S3 C M 110 B 1

HEIGHT OF HOUSING	NO. OF PINS PER ROW	Contact Full of Gold	Contact Plating	INSULATOR MATERIAL	LENGTH OF TERMINAL	PACKING
10: 1.0mm	2~40P	A0=0.8u"	B0=0.8U	B: PA6T	TERMINAL	A: PE Bag
15: 1.5mm		A1=1u"	B1=1U	C: PA9T		B: Tape & Reel
20: 2.0mm		A2=1.5u"	B2=1.5U	D: LCP		C: Tube
		A3=2u"	B3=2U			D: Tube+CAP
		A4=3u"	B4=3U			E: Tray
		A5=5u"	B5=5U			
		A6=10u"	B6=10U			
		A7=15u"	B7=15U			
		A8=20u"	B8=20U			
		A9=30u"	B9=30U			
		S1=Ordinary Tin Plated				
		S2=Matte Tin Plated				
		S3=Tin-plated High-temperature				



RoHS COMPLIANT

客编:

1. 带\*为品质重点检验尺寸

注意事项

				OPERATION	SCALE	Fit	东莞市宇熙精密连接器有限公司 www.yxcon.com Dongguan Yuxi Electronic Co.,Ltd.			
				X.X ±0.25	UNIT	MM				
				X.XX ±0.20	SIZE	A4	DESIGN	李官森2021.12.22	PART NO	P220-1207S3CM110B1
				X.XXX ±0.10	SHEET	1/1	CHECK		TITLE	2.0排针 2*7P L=11.0/6.5(0.2)/6.5 SMT PA9T 镀高温亮锡 CAP+350/卷装
A0	2021.12.22	/	新版发行	Angle ±3°	PROJ.	APPROVE		Customer No.		
REV	DATE	SYMBOL	MODIFICATION DESCRIPTION	DIM TOL						