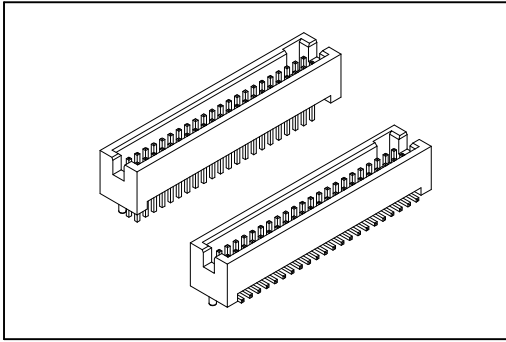


2216 Series

Box Header 1.27mmX1.27mm(0.050"X0.050")



Material:

Housing: High Temperature Plastic UL94V-0.

Contacts: Copper Alloy.

Electrical Characteristics:

Current Rating: 1 A.

Dielectric Withstanding Voltage: AC 500V.

Insulator Resistance: 1000MΩ min.

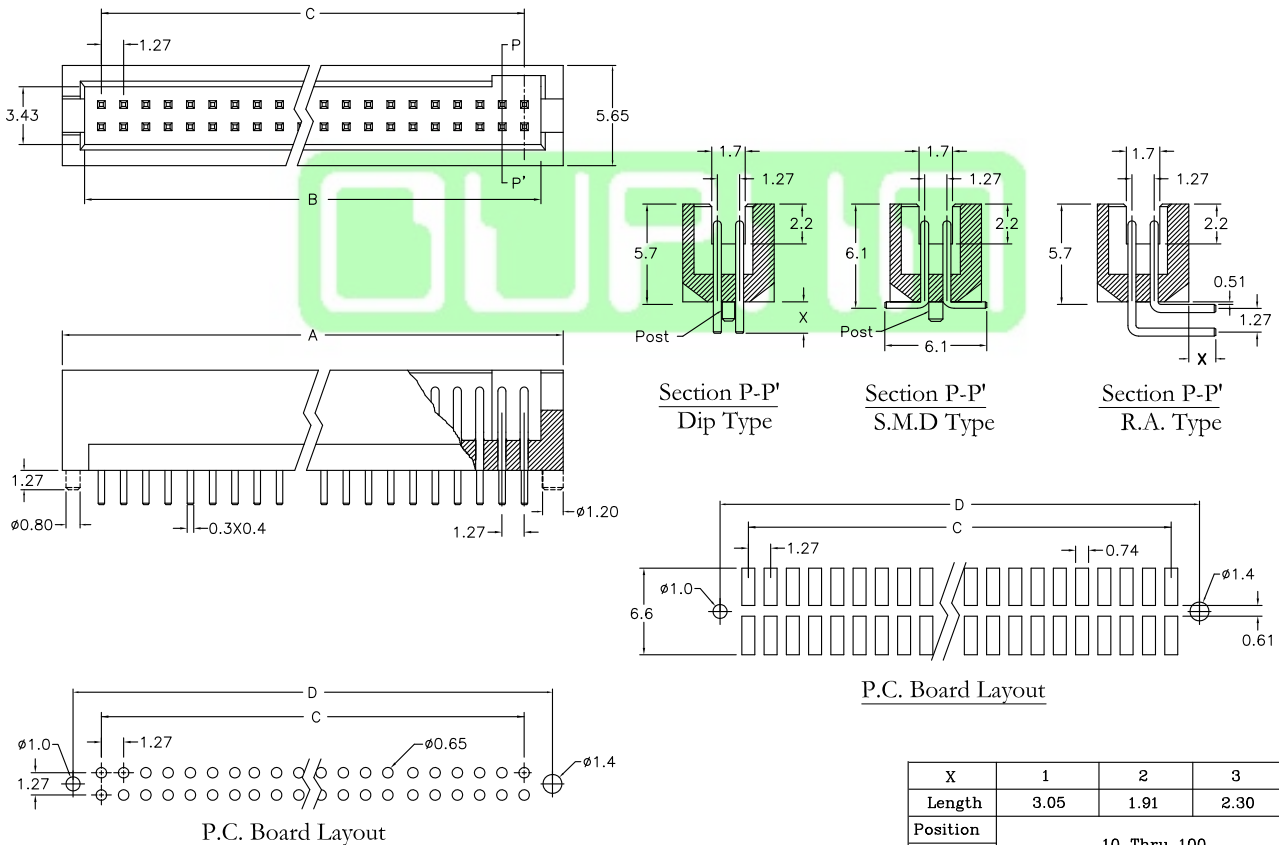
Contact Resistance: 20mΩ max.

Operating Temperature: -65°C~+125°C.

Features:

- * Choice of through-hole and surface mount.
- * Fully shrouded offers excellent protection.
- * Choice of three different dip length.
- * Choice of alignment post or board lock options.
- * Additional plating options available.

Mates with: 2241, 2242, 2243.



X	1	2	3
Length	3.05	1.91	2.30
Position	10 Thru 100		
Dimension	1.27 X No. of Positions /2+3.18		
A	1.27 X No. of Positions /2+0.64		
B	1.27 X No. of Positions /2-1.27		
C	1.27 X No. of Positions /2+1.91		
D			

Ordering information

2216-	100	C	00	S	P	1	T	- M
Series	No. of Pin Count	C: Selective Gold Plated	00: G/F	S: Straight D: SMD Type R: Right Angle	*P: With Post *N: Without Post *L: With Board Lock	**1: 3.05mm **2: 1.91mm **3: 2.30mm	U: Tube Package T: Tape & Reel Package	Blank: Without Pad M: Metal Pad P: Plastic Pad

* Only apply to Surface Mount & Straight Dip Type

** Only apply to Straight & Right Angle

Information including designs, specifications and components may be changed or updated without notice.