

# GT-HD001A-F X X GX

## DETAIL

A=19pin AF 前插后贴 无柱

## Shell Material

C=Copper alloy  
F=Ferroalloy

## Shell Plating

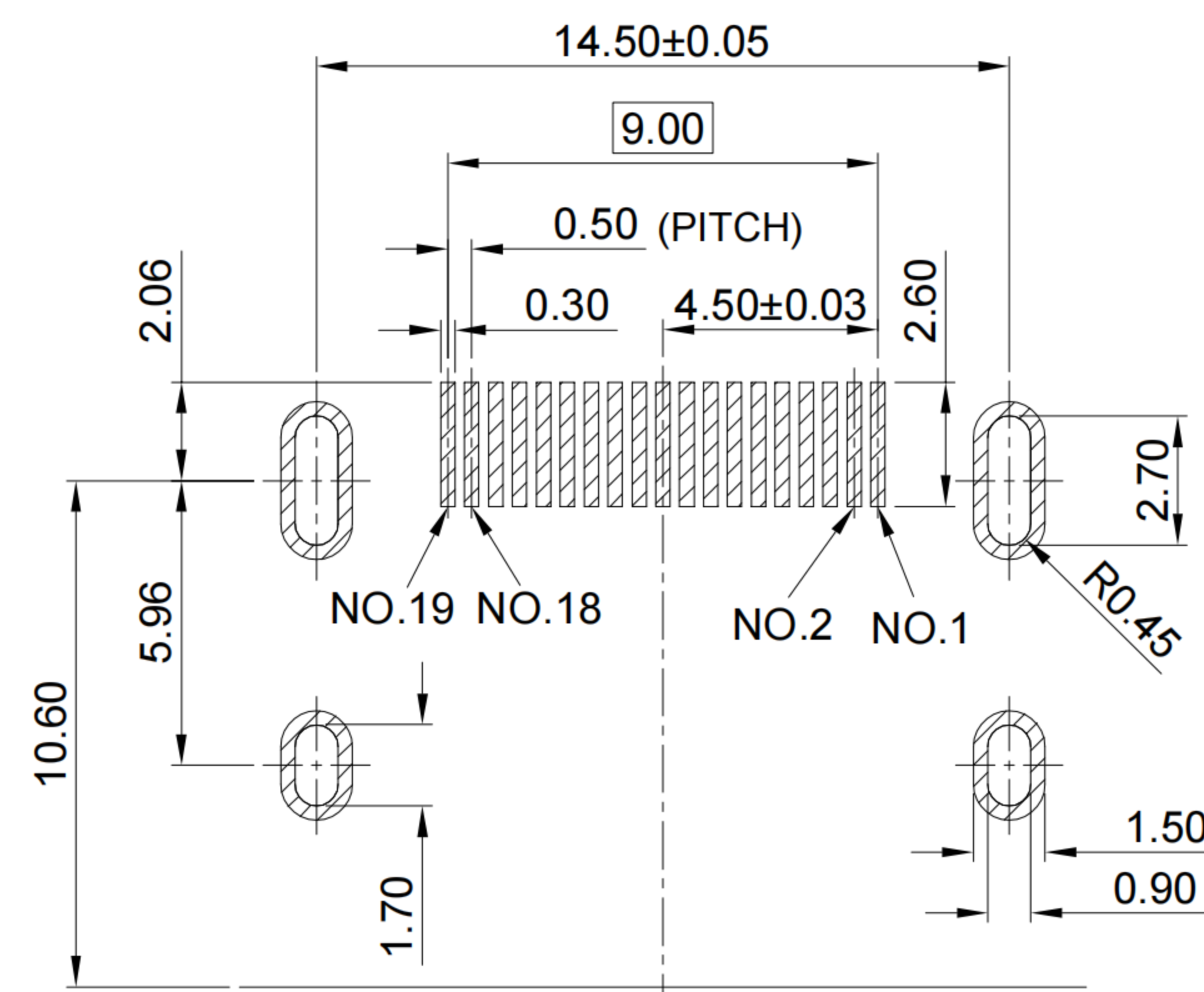
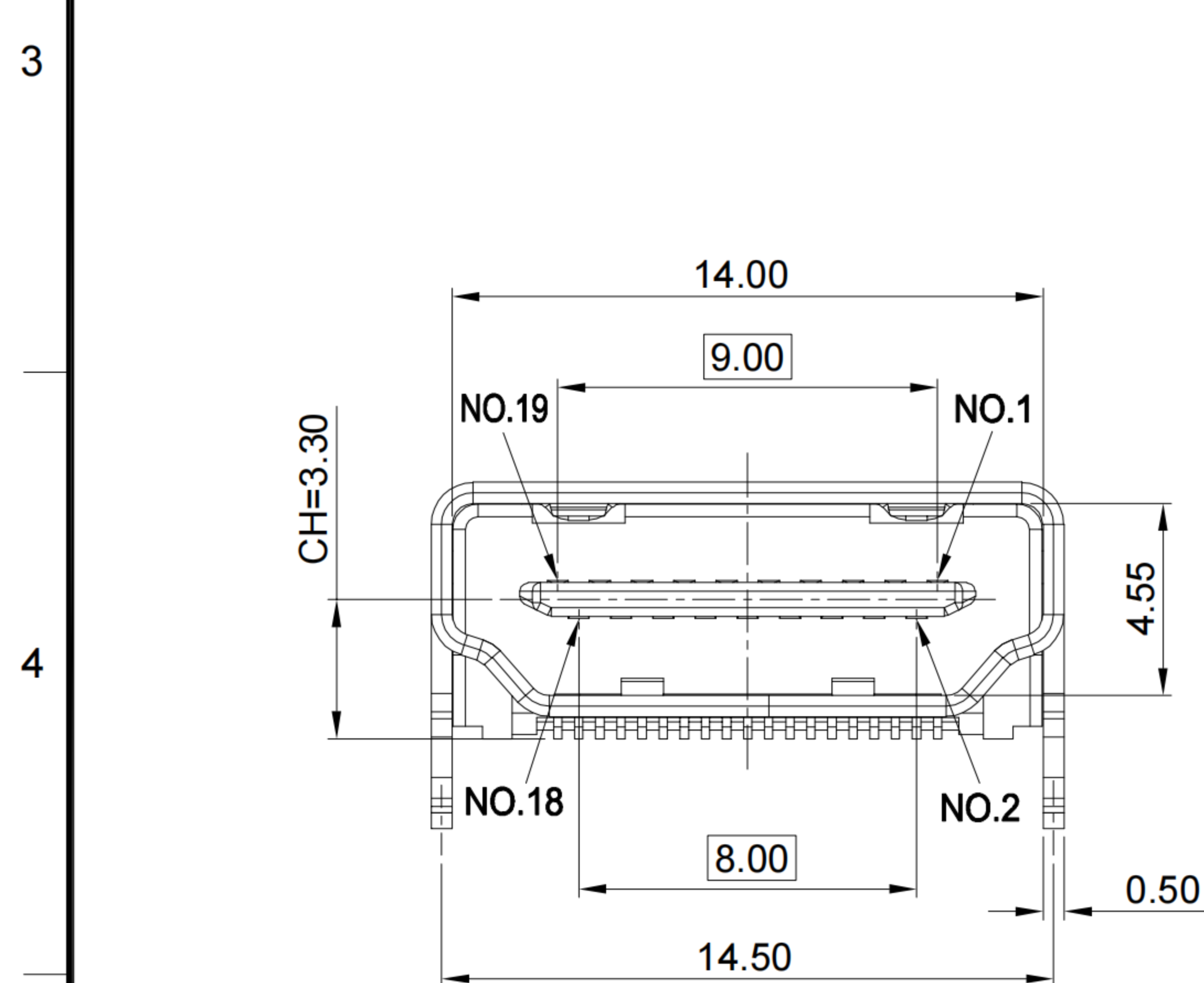
N=Ni  
G=Gold

## Housing Colour

N=Black  
B=Blue

## Terminal Plating

G0=G/F  
G1=1u  
G3=3u  
G5=5u



## G-Switch HDMI Specification:

- 1.Current rated: 1.0A
- 2.Withstanding voltage: 500V AC/minute
- 3.Contact resistance: 100mΩ Max
- 4.Insulation resistance: 100MΩ Min(after mating10MΩ Min)
- 5.Operating temperature: -40°C ~ +85°C
- 6.Mating force: 44.1N Max
- 7.Unmating force: 9.8N~39.2N,After durability: 3N~25N
- 8.Durability cycle:5, 000 cycles

RECOMMENDED PCB LAYOUT  
TOLERANCE:±0.05

SCALE: 1:1 UNIT: mm

SIZE: A4

Title: Horizontal HDMI 19P Female  
SMT CH=3.3 L=11.65mm

Molde Code: GT-HD0001A-XXXGX

Unless otherwise  
General Tolerance:

X.x ±0.30  
X.xx ±0.20  
X.xxx ±0.10  
X° ±3°

DRAWN CHECKED APPROVED DATE

Xia Chen Chen 2023.02.01



REV: A0 SHEET: 1/1

NO.	PARTS	MATERIAL	REMARKS
1	SHELL	SPCC	Ni PLATED
2	HOUSING	LCP	BLACK UL94V-0
3	TERMINALS	COPPER ALLOY C2680	Au PLATING ON CONTACT AREA

