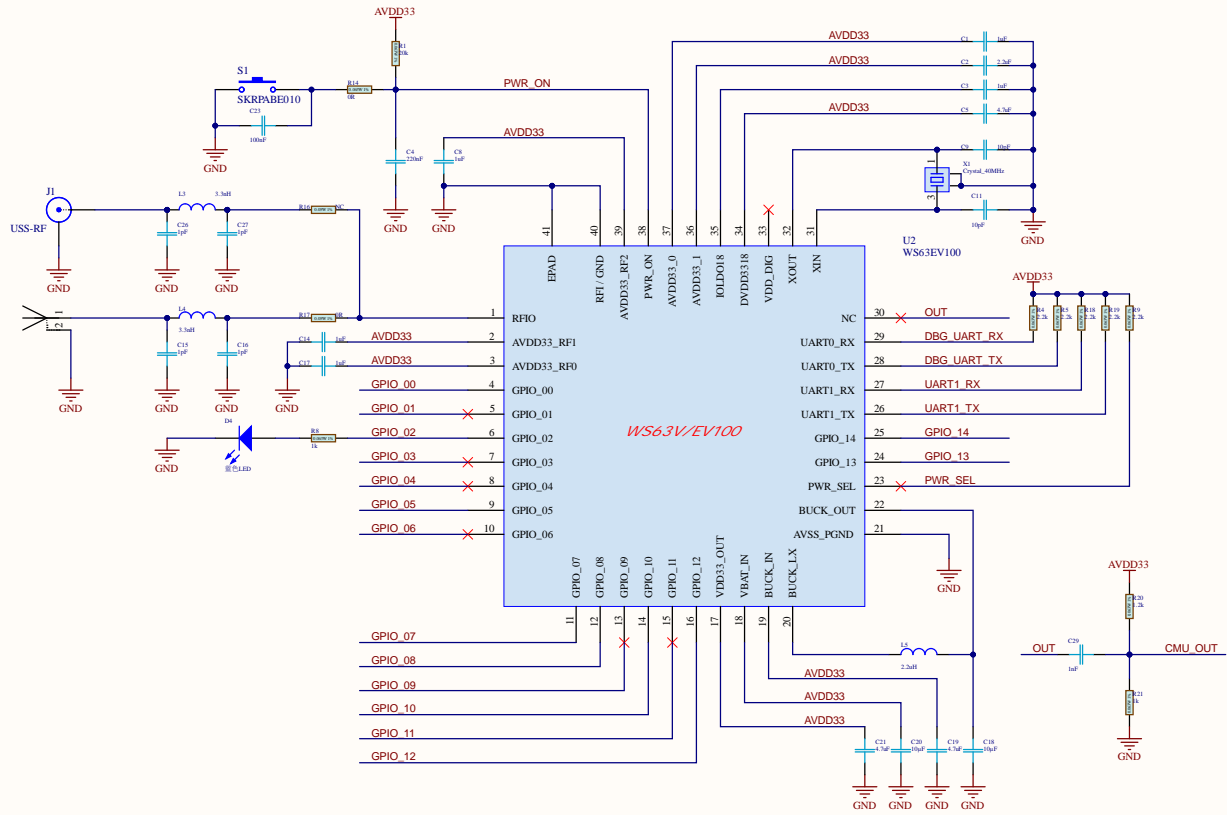
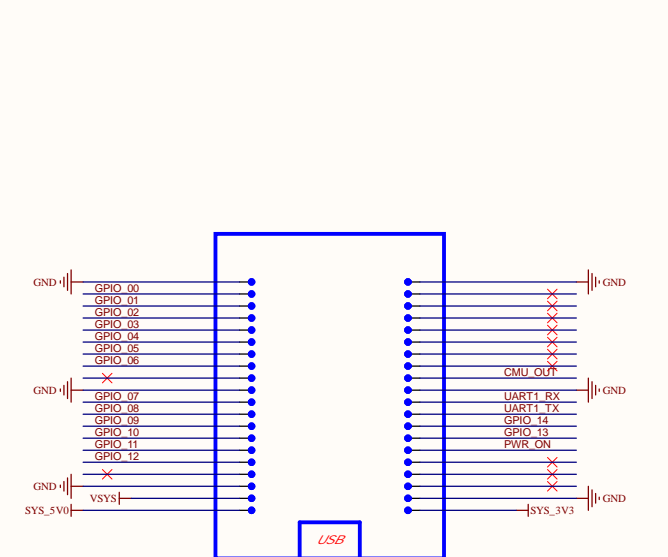


SLE SoC



EXT GPIO



USB 5V & TTL

