

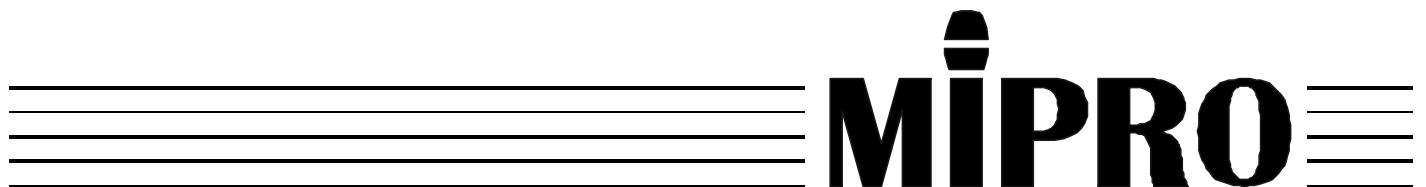
Version: 1PR105I2

Date: Sep.01.2009

SERVICE MANUAL

ACT-52

ACT-SERIES SINGLE CHANNEL WIRELESS RECEIVER

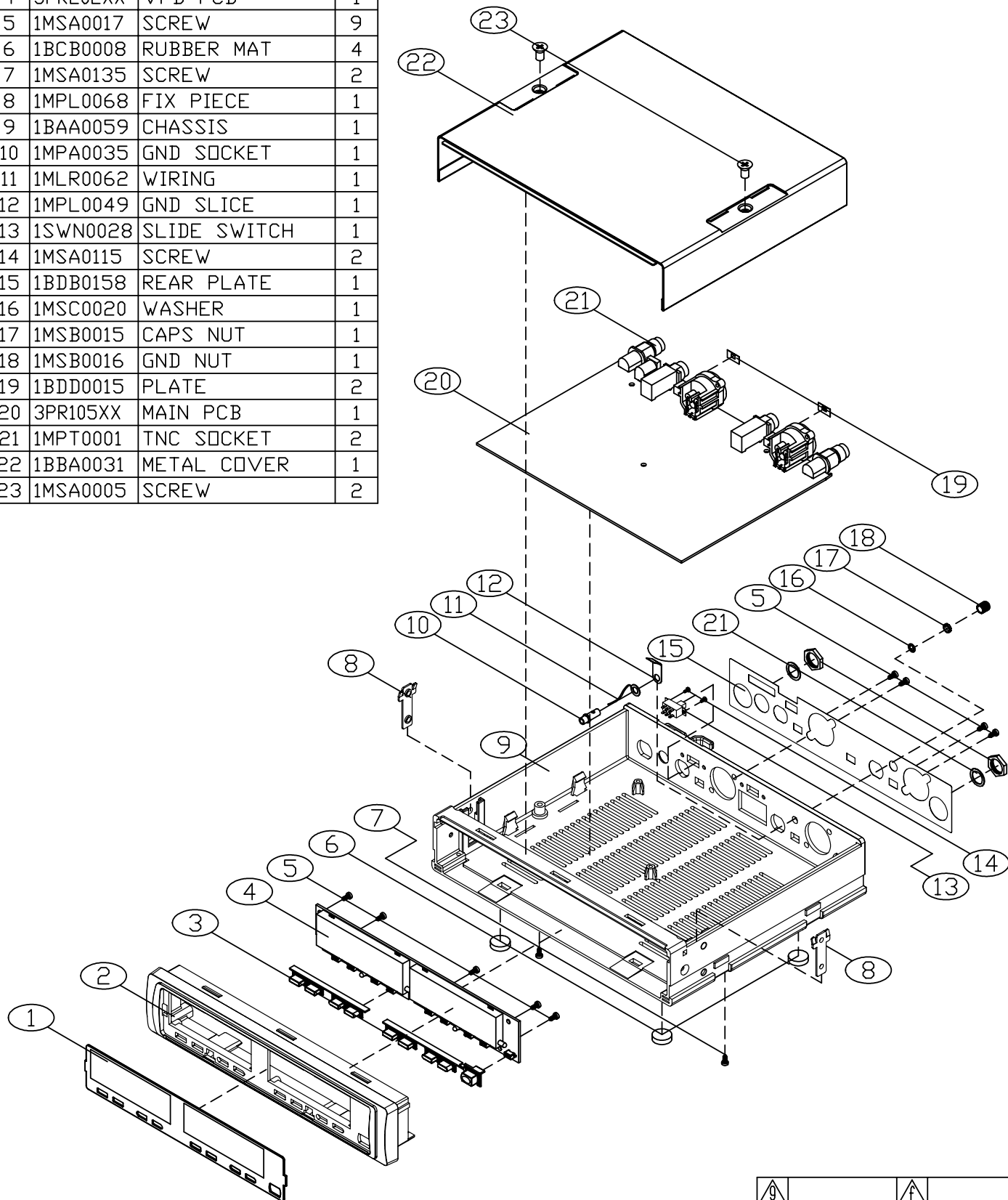


SPECIFICATIONS FOR ACT-52 RECEIVER

ITEM	SPECIFICATIONS
1. FREQUENCY RANGE	620~934 MHz
2. SWITCHING BANDWIDTH	24 MHz
3. FREQUENCY	6 Groups 8 compatible channels per Group 48 Total Channels
4. RECEIVING MODE	PLL Antenna diversity receiving
5. MAX DEVIATION RANGE	±68KHz
6. DE-EMPHASIS	25µs
7. FREQUENCY RESPONSE	50Hz TO 18KHz ±3dB
8. SENSITIVITY	+10dBµV FOR 80dB S/N Type
9. IMAGE REJECTION	>75dB
10. SPURIOUS REJECTION	>80dB Type
11. INTERMODULATION REJECTION	>65dB
12. SQUELCH	Adjustable 10dBuV~40dBuV
13. ULTIMATE S/N	105dBA Type
14. DISTORTION (40KHz DEV AT 1KHz)	Less Than 0.5% Type
15. DISPLAY	VFD Control Panel
16. WEIGHTS	0.9Kg
17. OUTPUT LEVEL	2 x MALE XLR-3 BALANCED 2 x 6.3 JACK SOCKET (IT CAN BE SWITCH FOR MICROPHONE OR LINE-LEVEL)
18. POWER SUPPLY	DC 12V~15V
19. CURRENT DRAIN	APPROX. 590mA.
20. DIMENSION (m/m)	210(L)x206(W)x44(H).
21. ENVIRONMENTAL	FULL SPECS -10 ~ 60

ACT52I03A

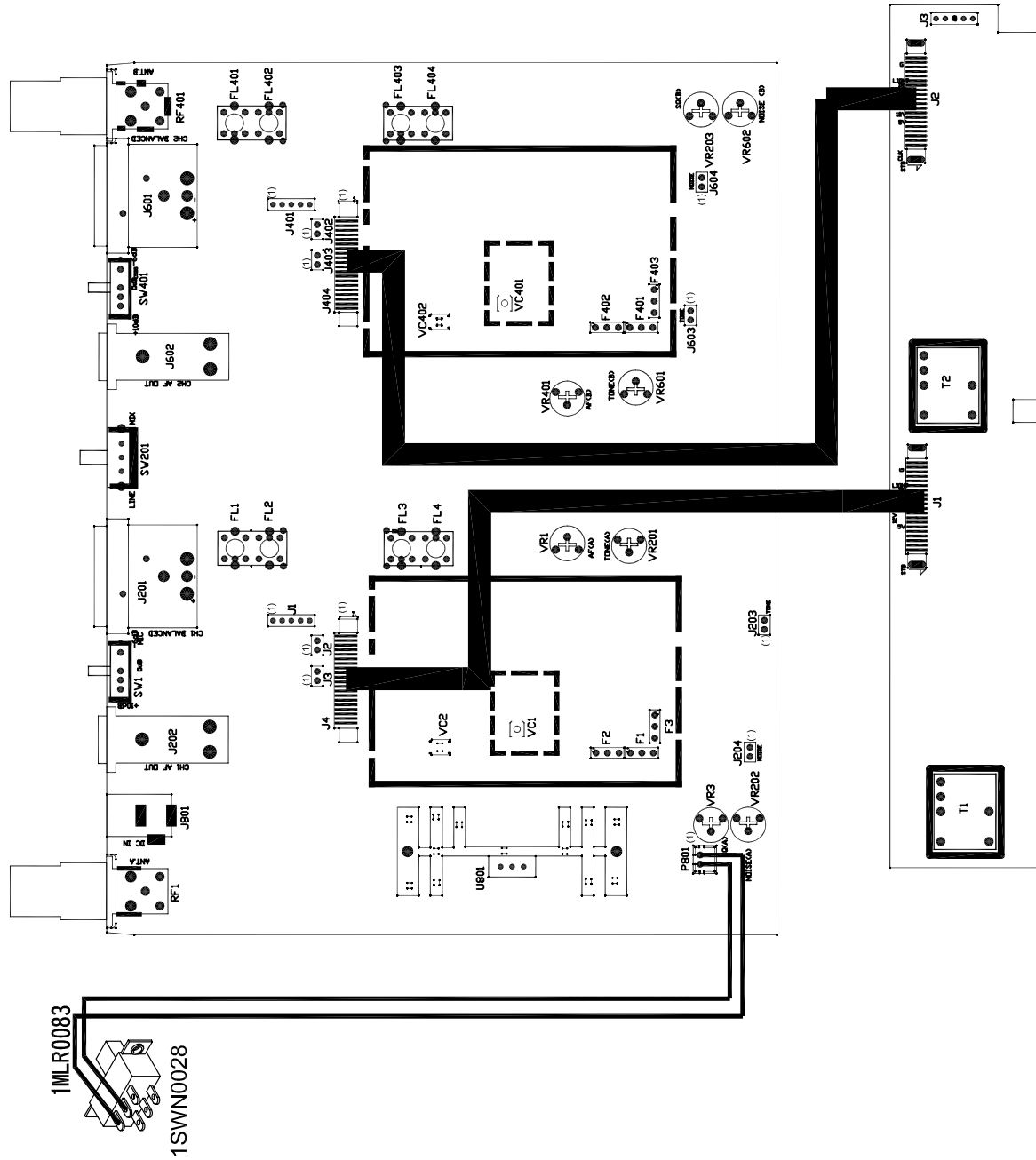
NO.	SERIAL NO.	DESCRIPTION	Q'TY
1	1BDA0541	PLATE	1
2	1BCA0046	FRONT PANNEL	1
3	1BSA0037	KNOB	2
4	3PR202XX	VFD PCB	1
5	1MSA0017	SCREW	9
6	1BCB0008	RUBBER MAT	4
7	1MSA0135	SCREW	2
8	1MPL0068	FIX PIECE	1
9	1BAA0059	CHASSIS	1
10	1MPA0035	GND SOCKET	1
11	1MLR0062	WIRING	1
12	1MPL0049	GND SLICE	1
13	1SWN0028	SLIDE SWITCH	1
14	1MSA0115	SCREW	2
15	1BDB0158	REAR PLATE	1
16	1MSC0020	WASHER	1
17	1MSB0015	CAPS NUT	1
18	1MSB0016	GND NUT	1
19	1BDD0015	PLATE	2
20	3PR105XX	MAIN PCB	1
21	1MPT0001	TNC SOCKET	2
22	1BBA0031	METAL COVER	1
23	1MSA0005	SCREW	2



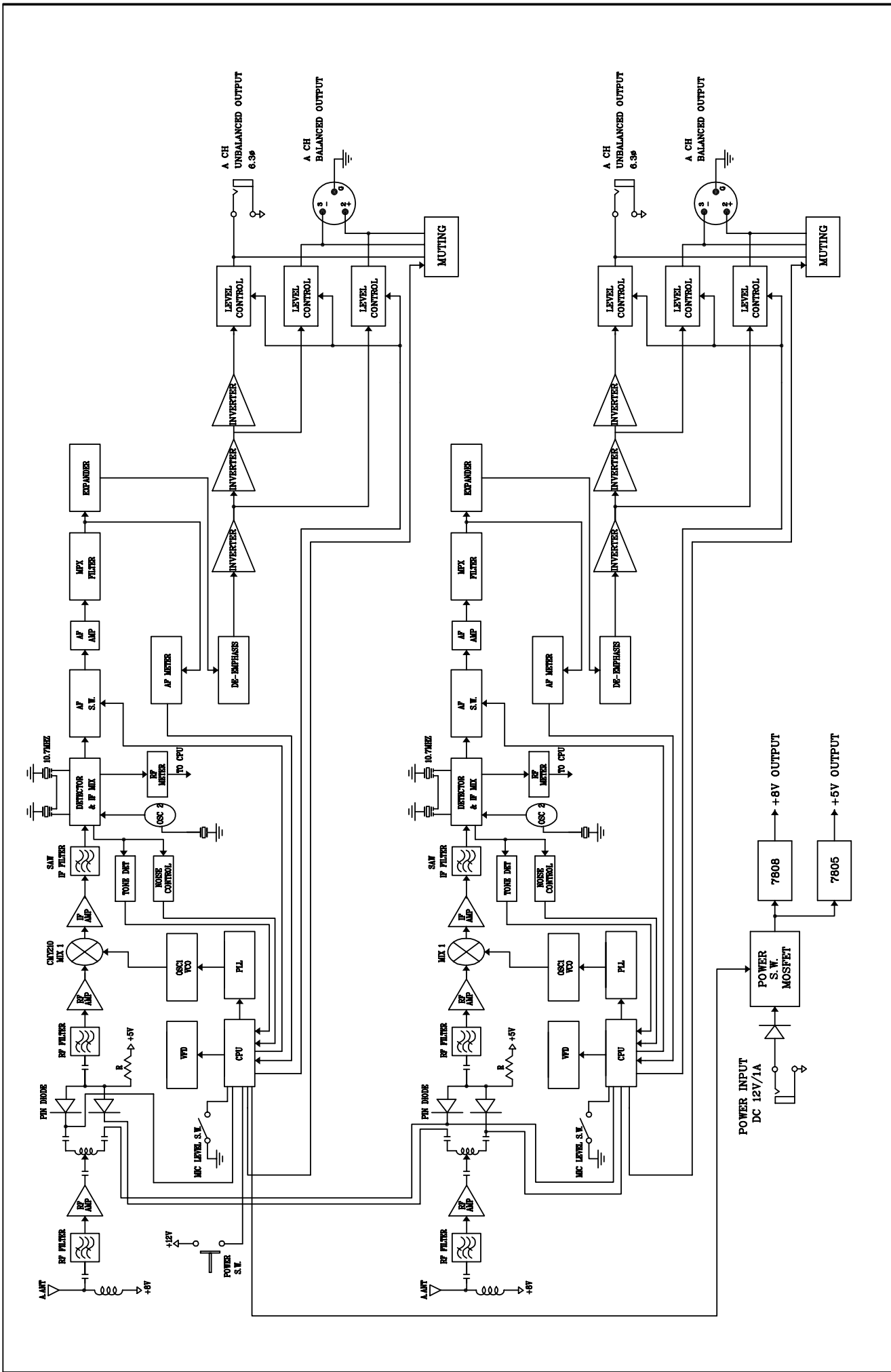
△		△	
△		△	
△		△	
△		△	

圖號 NUMBER	ACT52U03A	機型 MODEL	ACT-52	品名 DESCRIPTION	爆炸圖(ASSEMBLY)	版本 VISION	△
日期 DATE	03/31/2009	比例 SCALE	1=3 A4	材質 MATERIAL			
設計 DESIGNED	Zore	繪圖 DRAWN	Melody	核准 APPROVED	Michael		

MIPRO

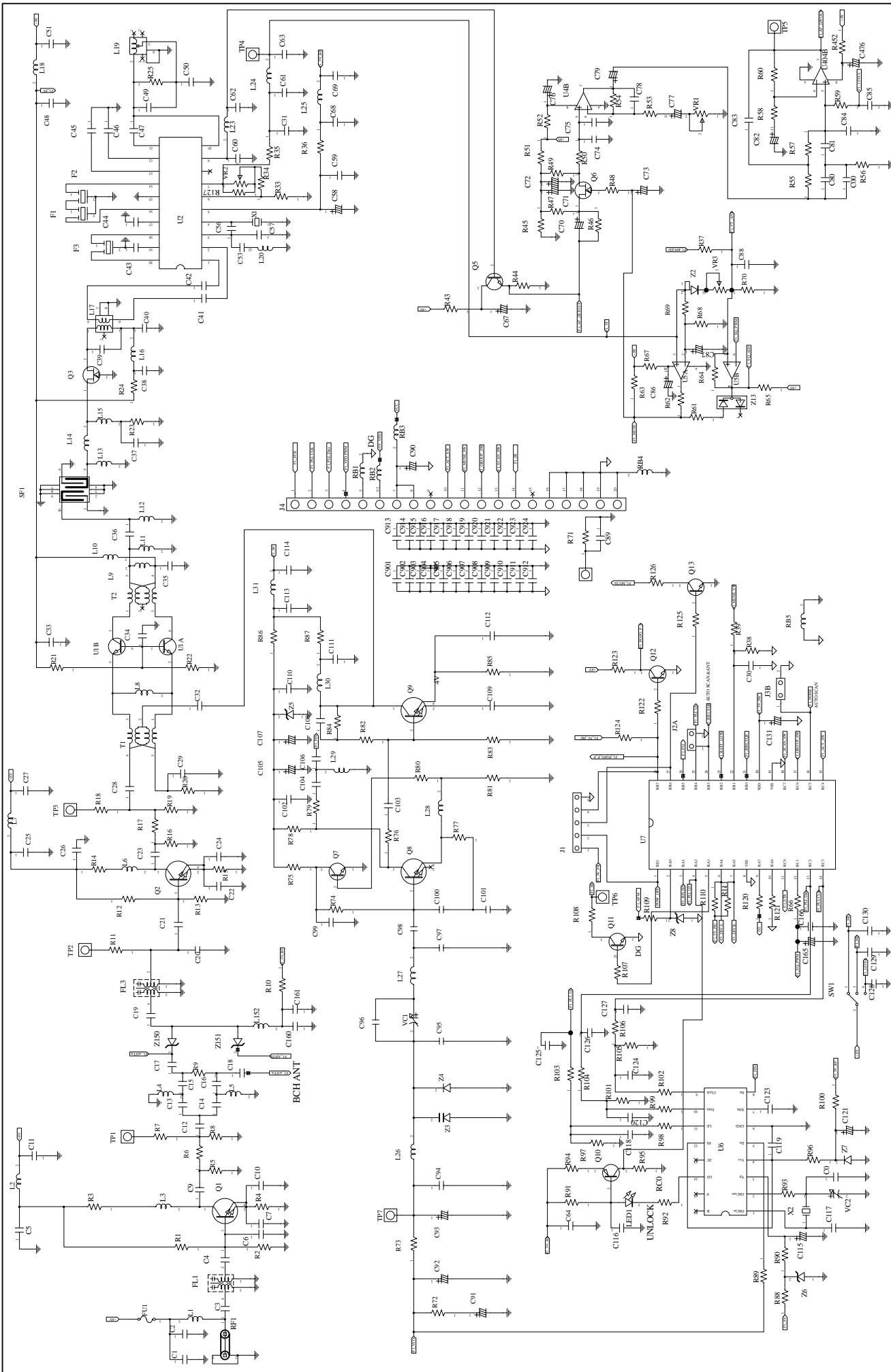


圖號 NUMBER	ACT52J02A	機型 MODEL	ACT-52(新中頻)	品名 DESCRIPTION	配線圖(WIRING DIAGRAM)		△	△	△
日期 DATE	04/16/2009	比例 SCALE	1.5=1 A4	材質 MATERIAL	核准 APPROVED	Michael	△	△	△
設計 DESIGNED	JACK	繪圖 DRAWN	Melody	版本 VERSION	VISION		△	△	△
MIPRO									

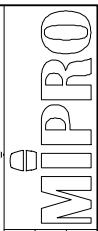


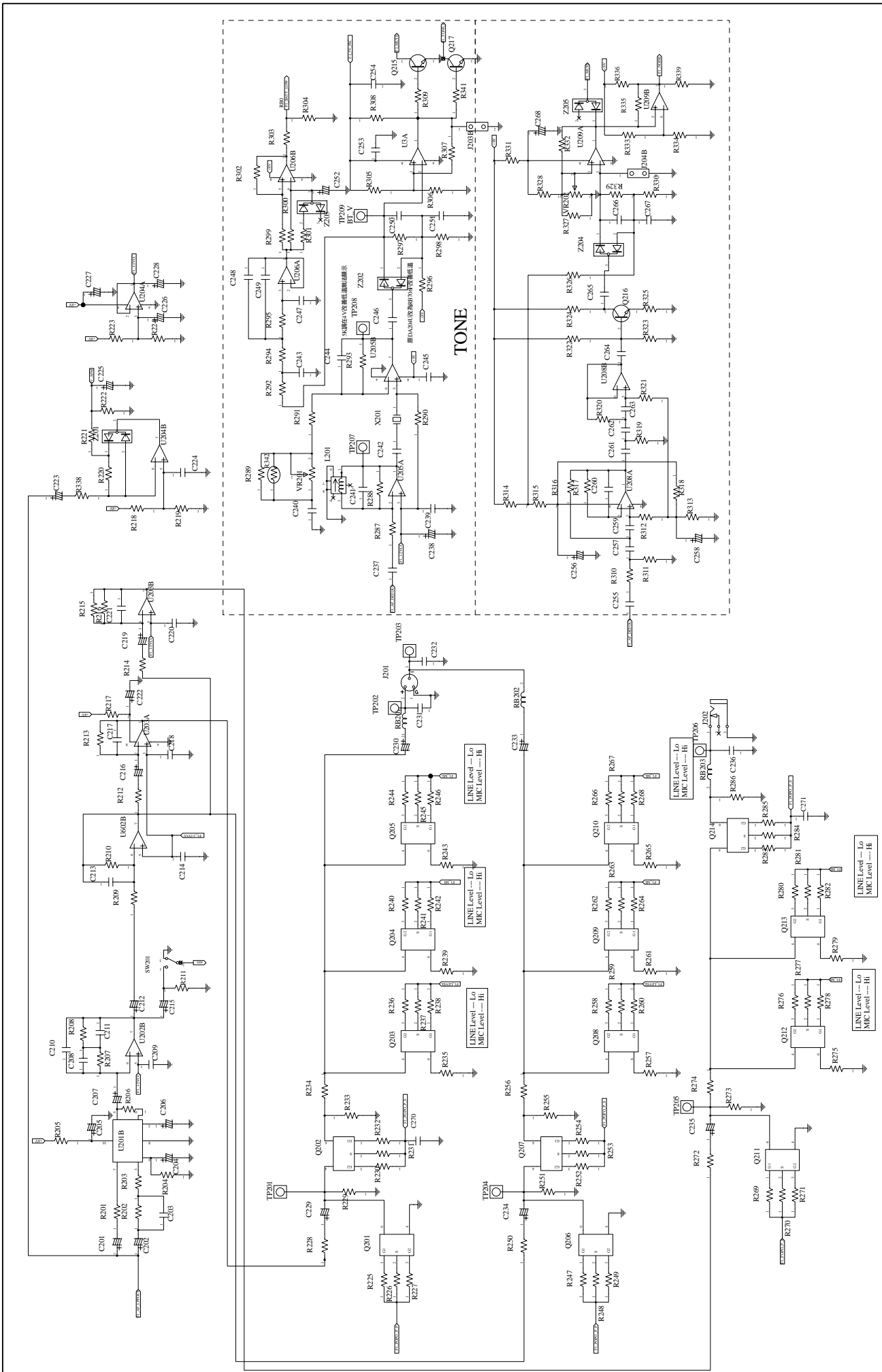
圖號 NUMBER	ACT52Q02B	機型 MODEL	ACT-52新中頻	品名 DESCRIPTION	方塊圖(BLOCK DIAGRAM)	版本 VISION	
日期 DATE	04/15/2009	比例 SCALE	1=1.5 A4	材質 MATERIAL			
設計 DESIGNED	JACK	繪圖 DRAWN	Melody	核准 APPROVED	Michael	09/02/2009	

MIPRO

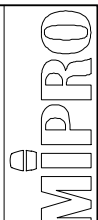


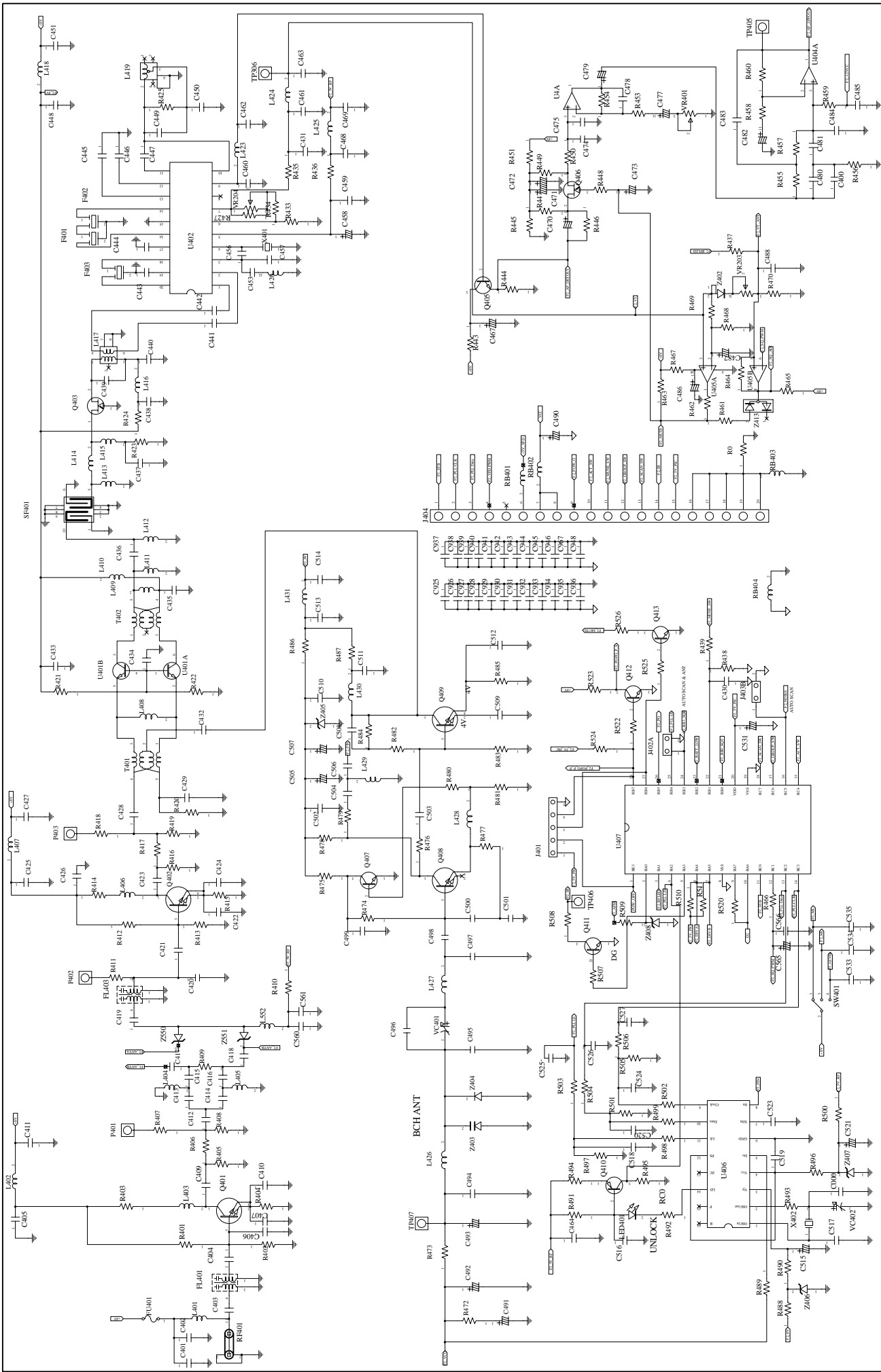
圖號 NUMBER	1CR1051B-C1	機型 MODEL	ACT-52(R10512)	品名 DESCRIPTION	CIRCUIT (RF;PLL;IF;AF;VCO)			(G)
日期 DATE	06/26/2009	比例 SCALE	1 / 5 / A1	材料 MATERIAL	版本 VERSION	(D)	(E)	(F)
設計 DESIGNED	JACK	繪圖 DRAWN	JACK	核准 APPROVED	VISION	(B)	(C)	(06/11/2009)
				Michael				



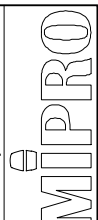


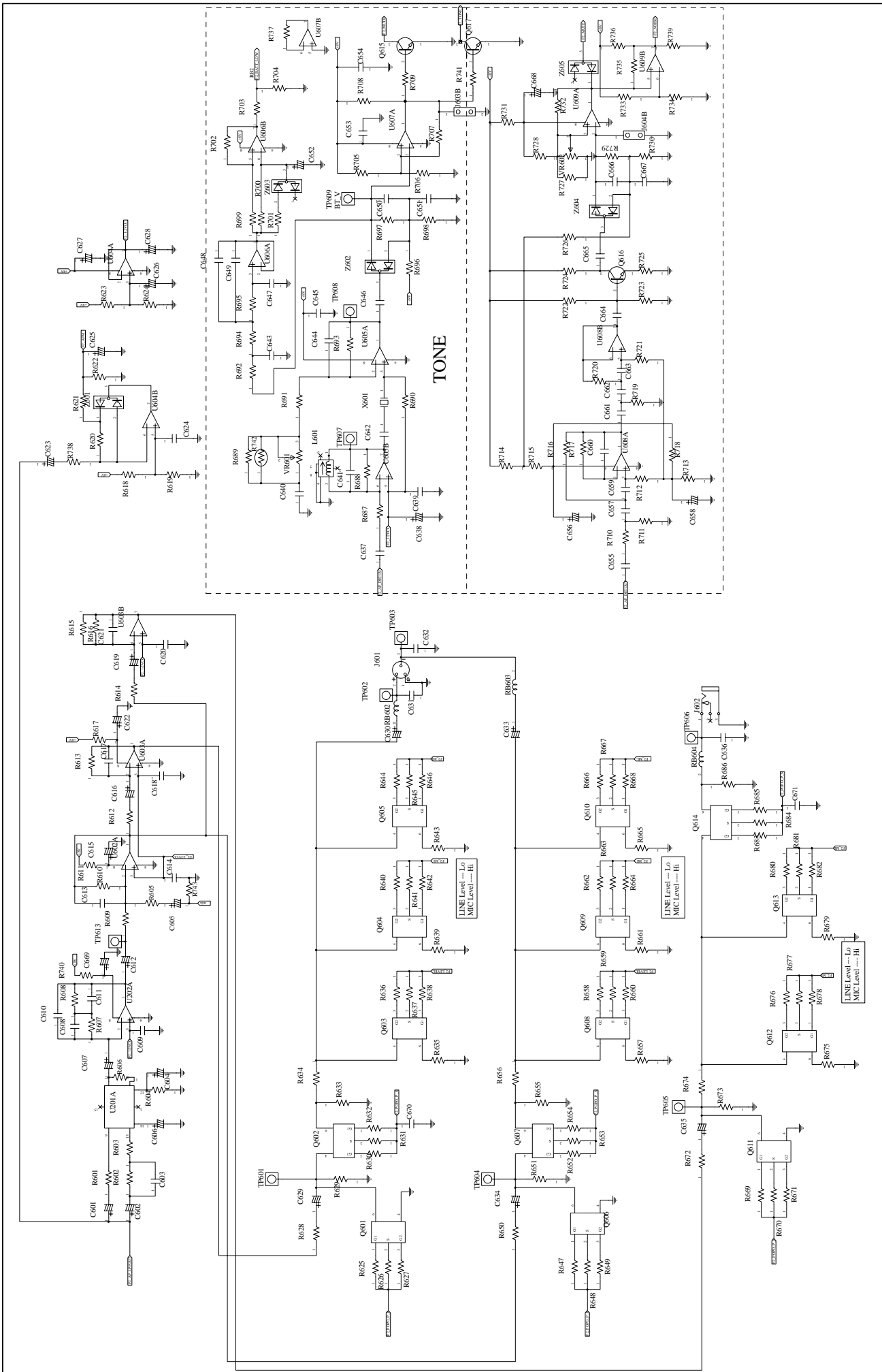
圖號 NUMBER	1CR1051B-C2	機種 MODEL	ACT-52(R10512)	品名 DESCRIPTION	CIRCUIT (TONE&NOISE LOCK&AF)		
日期 DATE	06/26/2009	比例 SCALE	2 / 5 / A1	材料 MATERIAL	(F)	(D)	(E)
設計 DESIGNED	JACK	繪圖 DRAWN	JACK	核准 APPROVED	Michael		
					版本 VISION	(B)	03/18/2009
					(C)	06/11/2009	(G)



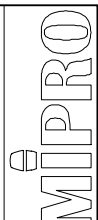


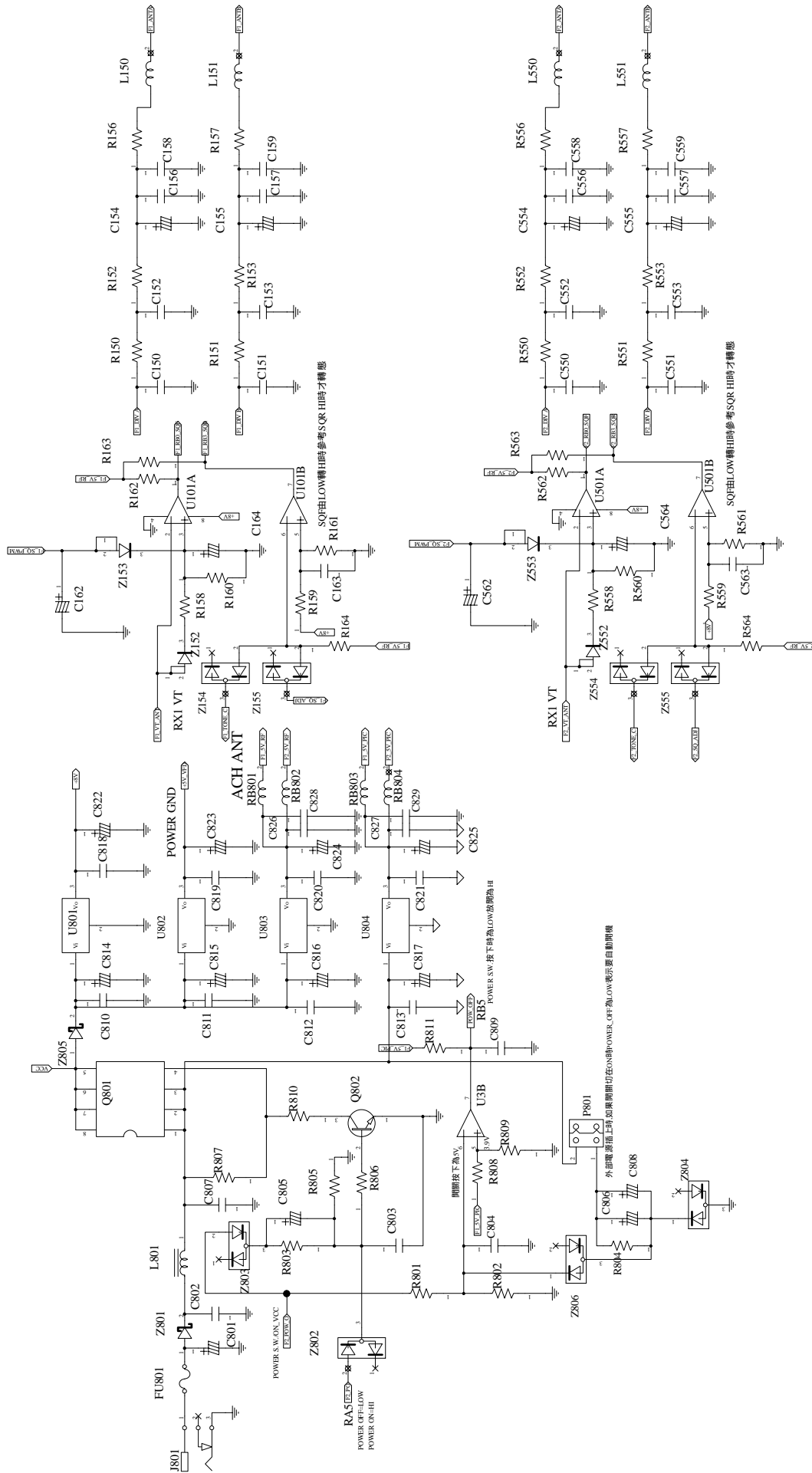
圖號 NUMBER	1CR1051B-C3	機型 MODEL	ACT-52 (R10512)	品名 DESCRIPTION	CIRCUIT (RF;PLL;IF;AF;VCO)			(G)
日期 DATE	06/26/2009	比例 SCALE	3 / 5 / A1	材料 MATERIAL				(E)
設計 DESIGNED	JACK	繪圖 DRAWN	JACK	核准 APPROVED	Michael			(C) 06/11/2009
版本 VISION					(D)	(B) 03/18/2009	(C) 06/11/2009	



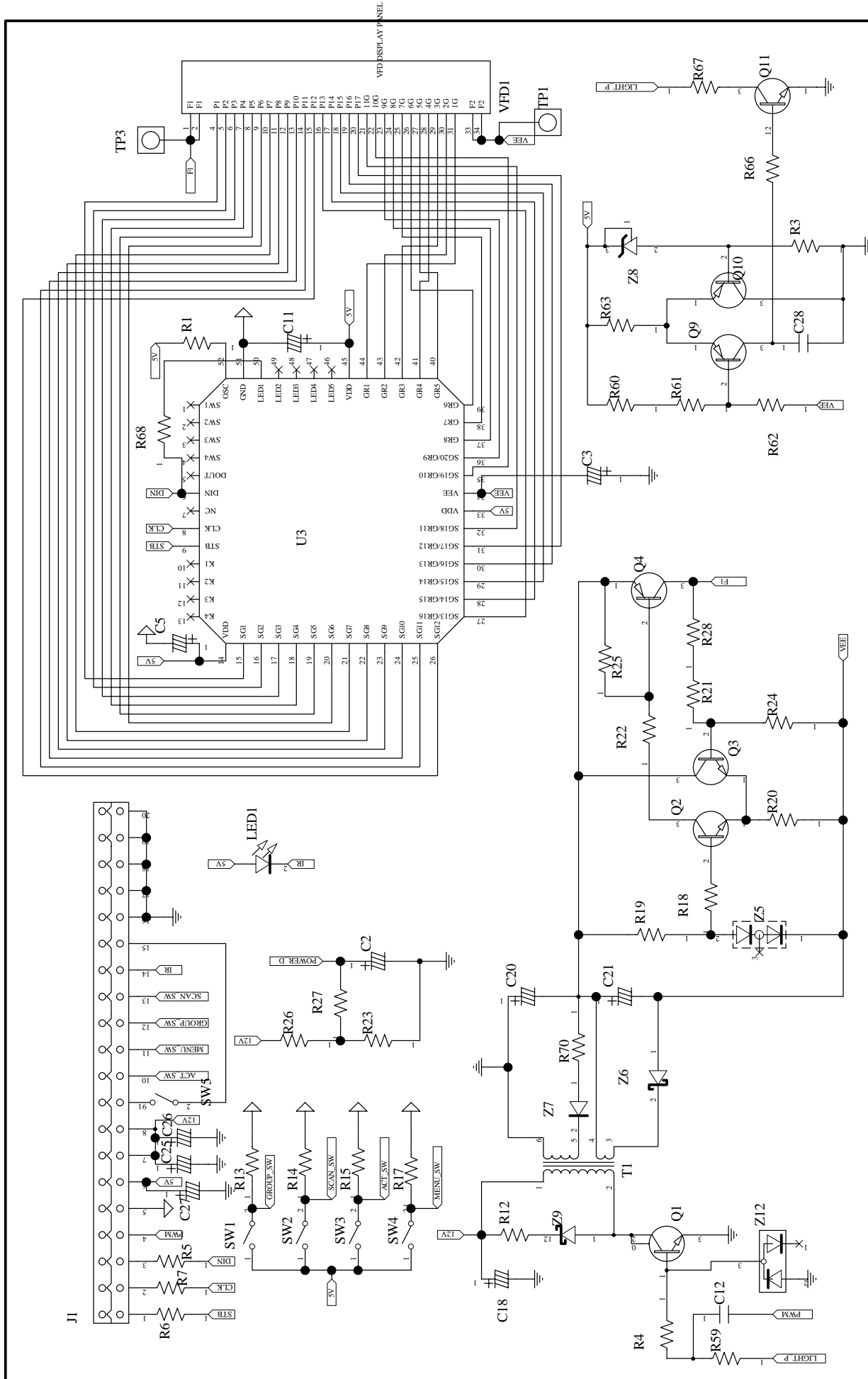


圖號 NUMBER	1CR1051B-C4	機種 MODEL	ACT-52(R10512)	品名 DESCRIPTION	CIRCUIT (TONE&NOISE LOCK&AF)			(G)
日期 DATE	06/26/2009	比例 SCALE	4 / 5 / A1	材料 MATERIAL				(E)
設計 DESIGNED	JACK	繪圖 DRAWN	JACK	核准 APPROVED	Michael			(C) 06/11/2009
				版本 VERSION	VISION			(B) 03/18/2009



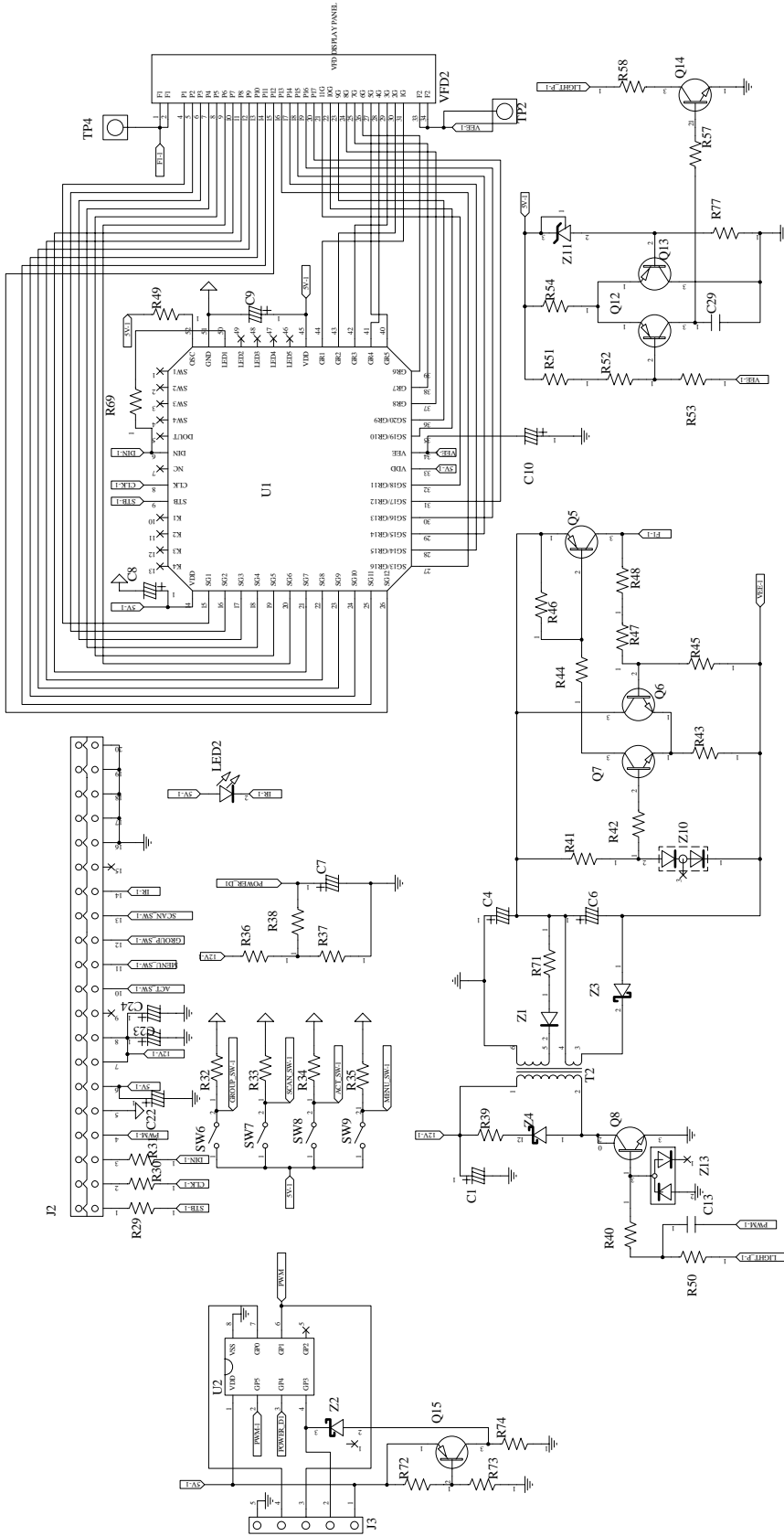


圖號 NUMBER	1CR105IB-C5	機型 MODEL	ACT-52(R10512)	品名 DESCRIPTION	POWER; DIV	版本 VISION	(G)	MIPRO
日期 DATE	06/26/2009	比例 SCALE	5 / 5 / A2	材質 MATERIAL		(D)	(E)	
設計 DESIGNED	JACK	繪圖 DRAWN	JACK	核准 APPROVED	Michael	(B)	(C)	06/11/2009
						(F)		03/18/2009

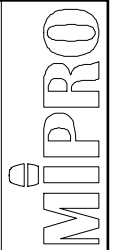


圖號 NUMBER	1R202BA-C1	機型 MODEL	ACT-52 VFD	品名 DESCRIPTION	VFD
日期 DATE	04/09/2009	比例 SCALE	1 / 2 / A3	材質 MATERIAL	
設計 DESIGN	JACK	繪圖 DRAWN	JACK	核准 APPROVED	Michael
版本 VISION	(E)	(D)	(B)	(A)	(G)
設計 DESIGN	03/20/2009	繪圖 DRAWN	06/26/2009	核准 APPROVED	03/20/2009

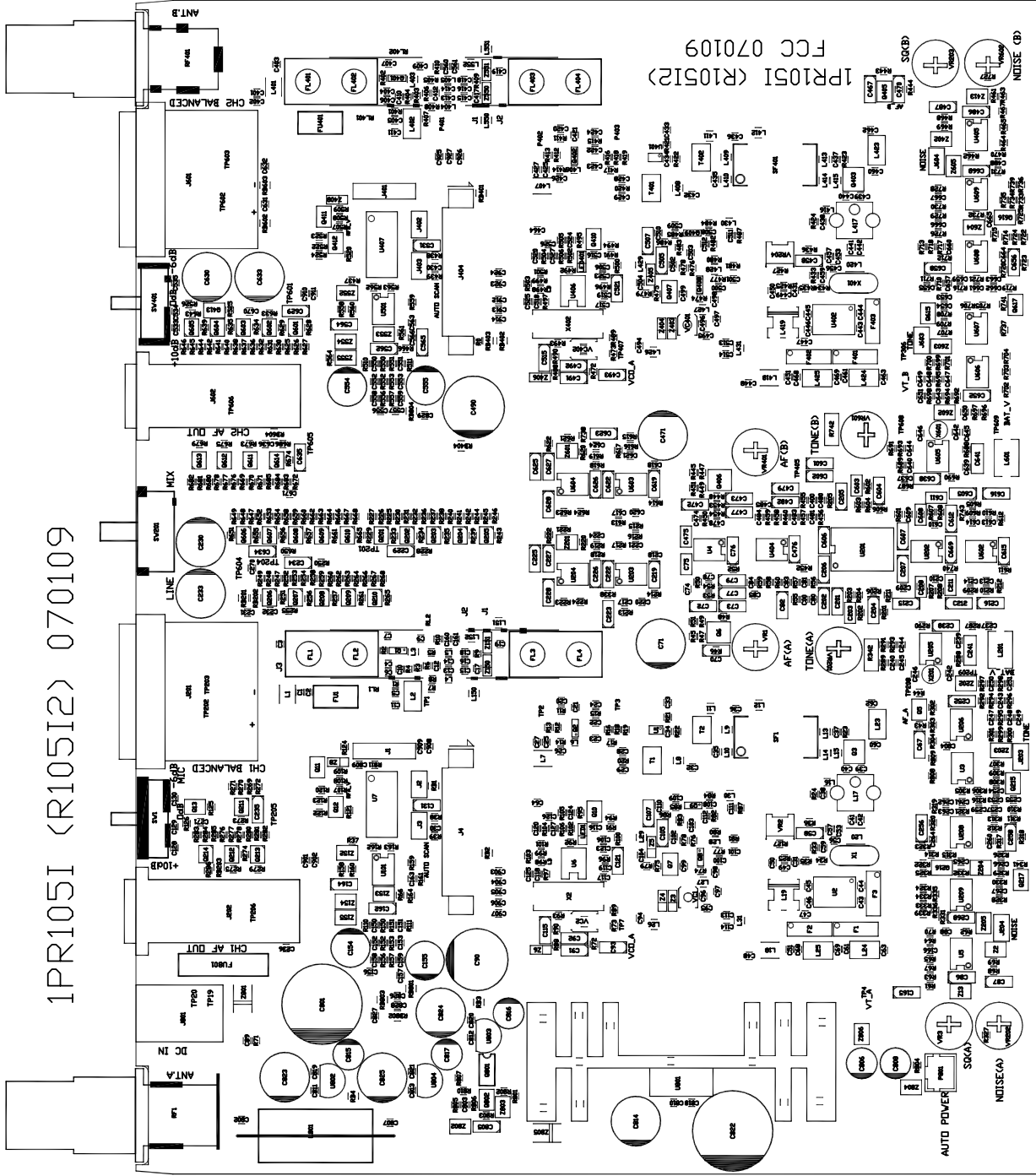
MIPRO



圖號 NUMBER	1AR202BA-C2	機型 MODEL	ACT-52 VFD	品名 DESCRIPTION	VFD	版本 VISION	(G)
日期 DATE	04/09/2009	比例 SCALE	2 / 2 / A2	材質 MATERIAL		(F)	(E)
設計 DESIGNED	JACK	繪圖 DRAWN	JACK	核准 APPROVED	Michael	(D)	(C)
						(B)	06/26/2009
						(A)	03/20/2009

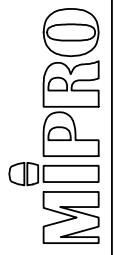


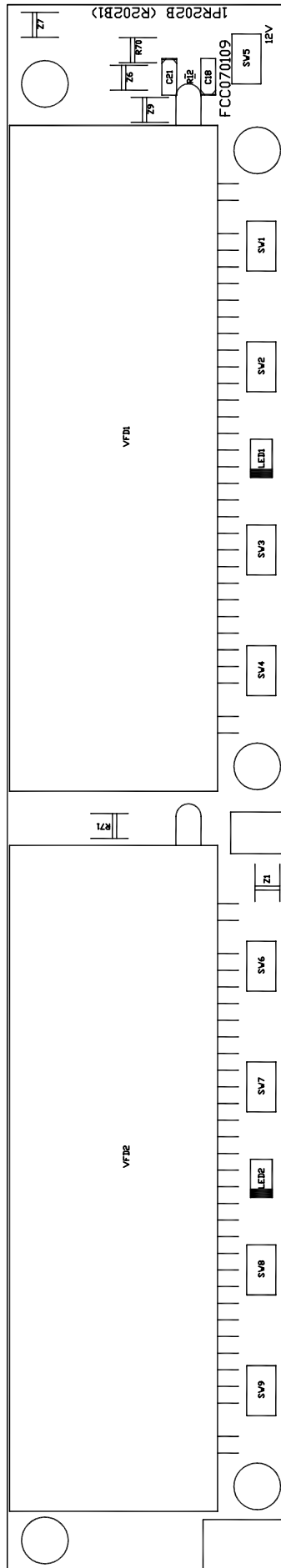
1PR105I <R105I2> 070109



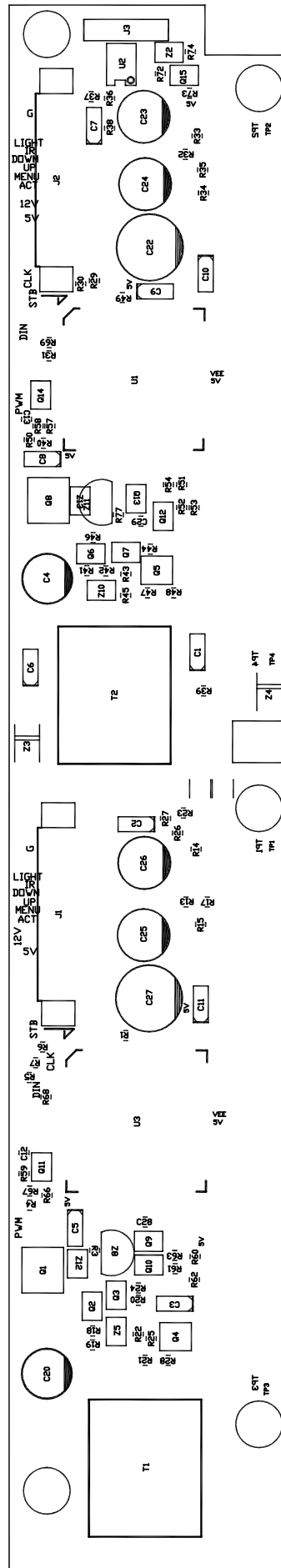
1PR105I <R105I2>
FCC 070109

圖號 NUMBER	1PR105IA-F1	機型 MODEL	ACT-52新中環(R105I2)	品名 DESCRIPTION	零件編號PARTS REFERENCE(TOP)	△	△	△
日期 DATE	09/01/2009	比例 SCALE	1-1 A4	材質 MATERIAL	1.6m/m 玻璃板	△	△	△
設計 DESIGNED	JACK	繪圖 DRAWN	Melody	核准 APPROVED	Michael	△	△	△
				版本 VISION	VISION	△	△	△





TOP

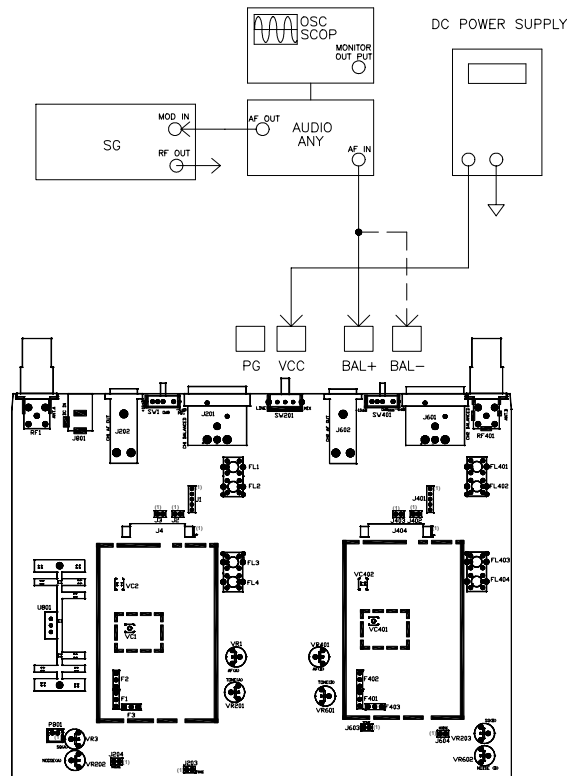


BOT

圖號 NUMBER	1PR202BA-F1	機型 MODEL	ACT-52VFD(R202B1)	品名 DESCRIPTION	零件編號(PARTS REFERENCE)(TOP)	版本 VISION	MIPRO
日期 DATE	09/01/2009	比例 SCALE	1:1 A4	材質 MATERIAL	1.6m/m 玻璃板		
設計 DESIGNED	JACK	繪圖 DRAWN	Melody	核准 APPROVED	Michael		

TEST AND ALIGNMENT INSTRUCTIONS

、 Measuring instruments and test set-up



、 Pre-set

A.RF Signal Generator

(1)SPAN : 200MHZ

*(2)CENTER FREQUENCY : 810MHZ

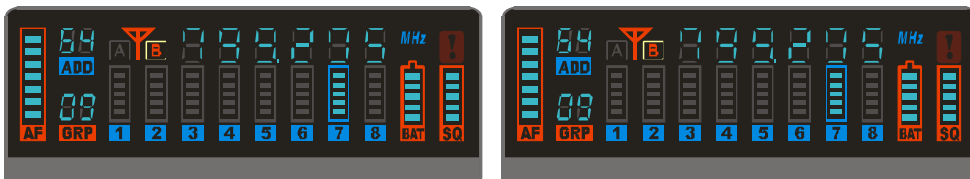
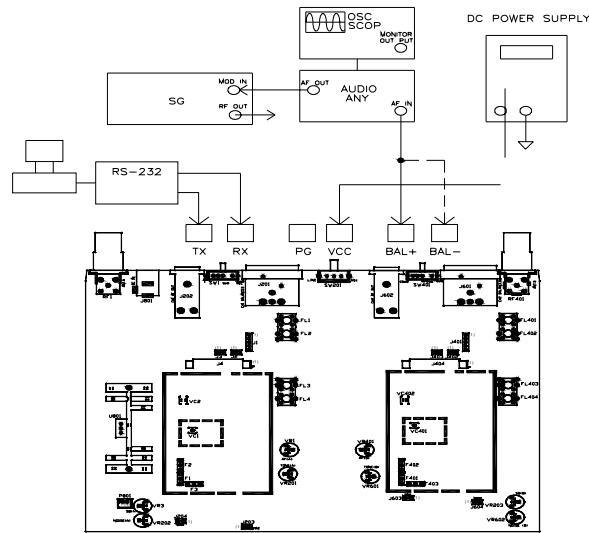
B. Dc power supply

12V OUT

NO	MEASUREMENT ADJUSTMENT	SIGNAL INPUT	PREPARATION UNIT SETTING	TESTPOINT	ADJUSTER	NORMAL VALUE
1	FREQUENCY RESPONSE	1. DC Voltmeter 2. Network Analyzer SPAN : 200MHZ	DC Voltmeter	ANT.A=>FL4 ANT.B=>FL4	ANT.A=>FL1~FL4 ANT.B=>FL401 : FL402	$\pm 3\text{dB}$ Gain>1.5dB
2	DC BIAS	1. DC Voltmeter =>12V(1A)	DC Voltmeter	RF1、 RF401		$8\text{V} \pm 0.3\text{V}$

ACT52R09A

TEST AND ALIGNMENT INSTRUCTIONS



、 Pre-set

A. RF Signal Generator

- (1) 50dBuV OUT
- (2) EXT. Modulation "ON"
- (3) INT Modulation "ON" and INT AF set to 32.768KHz
- (4) Derivation : 40KHz

B. Audio analyzer

- (1) AF OUT 400Hz , 13.3dBV
- (2) 100Hz High PASS "ON"
- (3) 20K LOW PASS "ON"

C. Dc power supply

12V/1A OUT

ACT52R07A

TEST AND ALIGNMENT INSTRUCTIONS

NO	MEASUREMENT ADJUSTMENT	SIGNAL INPUT	PREPARATION UNIT SETTING	TESTPOINT	ADJUSTER	NORMAL VALUE
1	VCO CH "14"	1. DC Voltmeter 2. CH SW⇒ "14"	DC Voltmeter	F1 : VCO_A F2 : VCO_B	F1 : VC1 F2 : VC401	2.8V
2	VCO CH "11"	1. DC Voltmeter 2. CH SW⇒ "11"	DC Voltmeter	F1 : VCO_A F2 : VCO_B	NOE	>1.5V
3	VCO CH "18"	1. DC Voltmeter 2. CH SW2⇒ "18"	DC Voltmeter	F1 : VCO_A F2 : VCO_B	NOE	<4.5V
4	CURRENT CONSUMPTION	DC POWER SUPPLY⇒12V(1A) 1. SG : RF OFF DEF : 40KHz AFG : 400Hz	current meter	J801	NOE	VFD light : 710mA ±50mA VFD Semi light : 665mA ±50mA
5	THD	1.CH⇒"center frequency" 2. SG : 60dBμV DEF : 40KHz AFG : 400Hz	audio analyzer	F1 : J202 F2 : J602	NOE	0.8%
6	AUDIO LEVEL	1.CH⇒"center frequency" 2. SG : 60dBμV DEF : 40KHz AFG : 400Hz	audio analyzer	F1 : J202 F2 : J602	F1 : VR1 F2 : VR401 F1 : SW1 F2 : SW401 (RELATIVE ± 10dB)	610mV ±20mV
7	TONE"ON"	1. SG : 10dBμV DEF : 3.3KHz AFG : 400Hz	audio analyzer	F1 : J202 F2 : J602		AF LEVEL>500mV
8	TONE"OFF"	1. SG : 10dBμV DEF : 2.5KHz AFG : 400Hz	audio analyzer	F1 : J202 F2 : J602		AF LEVEL<10mV
9	MIC LEVEL	1.CH⇒"center frequency" 2. SG : 60dBμV DEF : 40KHz AFG : 400Hz	audio analyzer	F1 : J202 F2 : J602	F1 : SW1 F2 : SW401 (RELATIVE 0dB)	+10dB : +16dB±0.5dB -6dB : -5.5dB±0.5dB
10	MIN S/N- RATIO	1.CH ⇒"center frequency" 2. SG : 10dBμV DEF : 40KHz AFG : 400Hz	audio analyzer	F1 : J202 F2 : J602	NOE	75dB S/N
11	MAX S/N-RATIO	1.CH⇒"center frequency" 2. SG : 60dBμV DEF : 56KHz AFG : 400Hz	audio analyzer	F1 : J202 F2 : J602	NOE	100dB S/N
12	AUDIO FREQUENCY RESPONSE	1.CH⇒"center frequency" 2. SG : 60dBμV DEF : 40KHz AFG : 400KHz	audio analyzer	F1 : J202 F2 : J602	NOE	-18.5dB ±1.5dB (RELATIVE 0dB)

ACT52R07A

TEST AND ALIGNMENT INSTRUCTIONS

NO	MEASUREMENT ADJUSTMENT	SIGNAL INPUT	PREPARATION UNIT SETTING	TESTPOINT	ADJUSTER	NORMAL VALUE
13	BALANCE LINE LEVEL	1.CH⇒"center frequency" 2. SG : 60dB μ V DEF : 40KHz AFG : 400Hz	audio analyzer	J201(P2+P3) J601(P2+P3)	F1 : SW1 F2 : SW401 (RELATIVE +10dB)	1.2V \pm 100mV
14	AF OUTPUT MIC LEVEL	1. CH⇒"center frequency" 2. SG : 60dB μ V DEF : 40KHz AFG : 400Hz	audio analyzer	F1 : J202 F2 : J602	F1 : SW1 F2 : SW401 (RELATIVE +0dB)	+10 dB : 11.5 dB \pm 0.5 dB-6 dB : -6 dB \pm 0.5dB
15	AF LED	1.CH⇒"center frequency" 2. SG : 60dB μ V DEF : 40KHz AFG : 400Hz	audio analyzer	NOE	NOE	AF LED all Light
16	RF LED	1.CH⇒"center frequency" 2. SG : 45dB μ V DEF : 40KHz AFG : 400Hz	audio analyzer	NOE	NOE	RF LED all Light
17	SQ OFF	1.CH⇒"center frequency" 2. SG : 7dB μ V DEF : 40KHz AFG : 400Hz	audio analyzer	F1 : J202 F2 : J602	NOE	AF LEVEL<10mV
18	VCO CH "11" SQUELCH	1. CH SW2⇒ "11" 2. SG : 14dB μ V DEF : 40KHz AFG : 400Hz	audio analyze	F1 : J202 F2 : J602	NOE	AF LEVEL>500mV
19	VCO CH "18" SQUELCH	1. CH SW2⇒ "18" 2. SG : 14dB μ V DEF : 40KHz AFG : 400Hz	AF Meter	F1 : J202 F2 : J602	NOE	AF LEVEL>500mV

ACT52R09A

PART LIST

CIRCUIT : 1PR105I2

COMPUCTOR NO.	REFETENCE	VALUE
1CCS6X103	C1	103P
1CCS6P101	C2	100P
1CCS6P471	C3	470P
1CCS6P471	C4	470P
1CCS6P471	C5	470P
1CCS6P471	C7	470P
1CCS6P471	C9	470P
1CCS6P471	C10	470P
1CCS6P471	C11	470P
1CCS6P003	C14	3P
1CCS6P003	C15	3P
1CCS6P101	C12	100P
1CCS6P003	C13	3P
1CCS6P003	C16	3P
1CCS6P471	C17	470P
1CCS6P471	C18	470P
1CCS6P471	C19	470P
1CCS6P010	C21	10P
1CCS6P471	C22	470P
1CCS6P101	C23	100P
1CCS6P471	C24	470P
1CCS6P471	C25	470P
1CCS6P471	C26	470P
1CCS6P471	C27	470P
1CCS6P471	C28	470P
1CCS6P471	C29	470P
1CCS6X104	C30	104P
1CCS6X103	C31	103P
1CCS6P008	C32	8P
1CCS6P471	C33	470P
1CCS6P471	C34	470P
1CCS6P471	C35	470P
1CCS6P008	C36	8P
1CCS6X223	C37	223P
1CCS6P471	C38	470P
1CCS6P013	C39	13P
1CCS6X223	C40	223P
1CCS6P101	C41	100P
1CCS6P101	C42	100P
1CCS6X223	C43	223P
1CCS6X223	C44	223P
1CCS6X223	C45	223P
1CCS6X223	C46	223P
1CCS6P005	C47	5P

ACT52P03B

COMPUCTOR NO.	REFETENCE	VALUE
1CCS6P471	C48	470P
1CCS6P039	C49	39P
1CCS6X104	C50	104P
1CCS6P471	C51	470P
1CCS6P681	C53	680P
1CCS6P007	C56	7P
1CCS6P010	C57	10P
1CTSBA106	C58	10uF
1CCS6X223	C59	223P
1CCS6P033	C60	33P
1CCS6P101	C61	100P
1CCS6P033	C62	33P
1CCS6P101	C63	100P
1CCS6P471	C64	470P
1CTSBA225	C67	2.2uF/16V
1CCS6P471	C68	470P
1CCS6P471	C69	470P
1CTSBA475	C70	4.7uF/16V
1CTSBA106	C72	10uF/16V
1CCS8P152	C75	152P
1CTSBA475	C76	4.7uF/16V
1CTSBA475	C77	4.7uF/16V
1CCS6P015	C78	15P
1CTSBA475	C79	4.7uF/16V
1CCS6P681	C80	680P(2%)
1CCS6P331	C81	330P
1CCS6X102	C83	102P
1CCS6P331	C84	330P
1CCS6X104	C85	104P
1CTSBA225	C86	2.2uF/16V
1CTSBA105	C87	1uF/16V
1CCS6X473	C88	473P
1CCS6X103	C89	103P
1CTSBA106	C91	10uF/16V
1CTSDA474	C92	0.47uF/35V
1CTSDA104	C93	0.1uF/35V
1CCS6P101	C94	100P
1CCS6X103	C99	103P
1CCS6P471	C102	470P
1CCS6P101	C103	100P
1CCS6P003	C104	3P
1CTSBA106	C105	10uF/16V
1CCS6P047	C106	47P
1CTSBA106	C107	10uF/16V

PART LIST

CIRCUIT : 1PR105I2

COMPUCTOR NO.	REFETENCE	VALUE
1CCS6X102	C108	102P
1CCS6P471	C109	470P
1CCS6P471	C110	470P
1CCS6P471	C111	470P
1CCS6P471	C112	470P
1CCS6P471	C113	470P
1CCS6P471	C114	470P
1CTSBA106	C115	10uF/16V
1CCS6X473	C116	473P
1CCS6P033	C117	33P
1CCS6P101	C118	100P
1CCS6X103	C119	103P
1CCS6P101	C120	100P
1CTSBA475	C121	4.7uF/16V
1CCS6P471	C123	470P
1CCS6P101	C124	100P
1CCS6P010	C125	10P
1CCS6P010	C126	10P
1CCS6P010	C127	10P
1CCS6X103	C128	103P
1CCS6X103	C129	103P
1CCS6X103	C130	103P
1CTSBA475	C131	4.7uF/16V
1CCS6X103	C150	103P
1CCS6X103	C151	103P
1CCS6X103	C152	103P
1CCS6X103	C153	103P
1CENCA476	C154	47uF/25V
1CENCA476	C155	47uF/25V
1CCS6P101	C156	100P
1CCS6P101	C157	100P
1CCS6X103	C158	103P
1CCS6X103	C159	103P
1CCS6X102	C160	102P
1CCS6P101	C161	100P
1CTSBA105	C162	1uF/16V
1CCS6X104	C163	104P
1CTSBA105	C164	1uF/16V
1CTSBA105	C165	1uF/16V
1CCS6X103	C166	103P
1CTSBA475	C201	4.7uF/16V
1CTSBA475	C202	4.7uF/16V
1CCS8Y104	C203	104P
1CTSDA474	C204	0.47uF/35V

ACT52P03B

COMPUCTOR NO.	REFETENCE	VALUE
1CTSBA475	C205	4.7uF/16V
1CTSBA225	C206	2.2uF/16V
1CTSBA475	C207	4.7uF/16V
1CCS8P331	C208	330P
1CCS6X104	C209	104P
1CCS8X103	C211	103P(NPO)
1CTSBA475	C212	4.7uF/16V
1CCS6P101	C213	100P
1CCS6X103	C214	103P
1CTSBA475	C215	4.7uF/16V
1CTSBA106	C216	10uF/16V
1CCS6P101	C217	100P
1CCS6X103	C218	103P
1CTSBA106	C219	10uF/16V
1CCS6X104	C220	104P
1CCS6P101	C221	100P
1CTSBA225	C222	2.2uF/16V
1CTSBA475	C223	4.7uF/16V
1CCS6X473	C224	473P
1CTSBA475	C225	4.7uF/16V
1CTSBA225	C226	2.2uF/16V
1CTSBA475	C227	4.7uF/16V
1CTSBA475	C228	4.7uF/16V
1CTSBA106	C229	10uF/16V
1CENEA107	C230	100uF/50V
1CCS6P101	C231	100P
1CCS6P101	C232	100P
1CENEA107	C233	100uF/50V
1CTSBA106	C234	10uF/16V
1CTSBA106	C235	10uF/16V
1CCS6P101	C236	100P
1CCS6X272	C237	272P
1CTSBA225	C238	2.2uF/16V
1CCS6X103	C239	103P
1CCS6X473	C240	473P
1CCSCP332	C241	332P
1CCS6P013	C242	12P
1CCS6X473	C243	473P
1CCS6P121	C244	120P
1CCS6X473	C245	473P
1CCS6X103	C246	103P
1CCS6X392	C247	392P
1CCS6X473	C248	473P
1CCS6X104	C249	104P

PART LIST

CIRCUIT : 1PR105I2

COMPUCTOR NO.	REFETENCE	VALUE
1CCS6X104	C250	104P
1CCS6X104	C251	104P
1CTSDA474	C252	0.47uF/35V
1CCS6X473	C253	473P
1CCS6X473	C254	473P
1CCS6P331	C255	330P
1CTSBA475	C256	4.7uF/16V
1CCS6P151	C257	150P
1CTSBA225	C258	2.2uF/16V
1CCS6P151	C259	150P
1CCS6P033	C260	33P
1CCS6P331	C261	330P
1CCS6P151	C262	150P
1CCS6P151	C263	150P
1CCS6X103	C264	103P
1CCS6X473	C265	473P
1CCS6X473	C266	105P
1CCS6X473	C267	105P
1CTSBA475	C268	4.7uF/16V
1CCS6X104	C270	104P
1CCS6X104	C271	104P
1CCS6X103	C401	103P
1CCS6P101	C402	100P
1CCS6P471	C403	470P
1CCS6P471	C404	470P
1CCS6P471	C405	470P
1CCS6P471	C407	470P
1CCS6P471	C409	470P
1CCS6P471	C410	470P
1CCS6P471	C411	470P
1CCS6P101	C412	100P
1CCS6P003	C413	3P
1CCS6P003	C414	3P
1CCS6P003	C415	3P
1CCS6P003	C416	3P
1CCS6P471	C417	470P
1CCS6P471	C418	470P
1CCS6P471	C419	470P
1CCS6P010	C421	10P
1CCS6P471	C422	470P
1CCS6P101	C423	100P
1CCS6P471	C424	470P
1CCS6P471	C425	470P
1CCS6P471	C426	470P

ACT52P03B

COMPUCTOR NO.	REFETENCE	VALUE
1CCS6P471	C427	470P
1CCS6P471	C428	470P
1CCS6P471	C429	470P
1CCS6X104	C430	104P
1CCS6X103	C431	103P
1CCS6P008	C432	8P
1CCS6P471	C433	470P
1CCS6P471	C434	470P
1CCS6P471	C435	470P
1CCS6P008	C436	8P
1CCS6X223	C437	223P
1CCS6P471	C438	470P
1CCS6P013	C439	13P
1CCS6X223	C440	223P
1CCS6P101	C441	100P
1CCS6P101	C442	100P
1CCS6X223	C443	223P
1CCS6X223	C444	223P
1CCS6X223	C445	223P
1CCS6X223	C446	223P
1CCS6P005	C447	5P
1CCS6P471	C448	470P
1CCS6P039	C449	39P
1CCS6X104	C450	104P
1CCS6P471	C451	470P
1CCS6P681	C453	680P
1CCS6P007	C456	7P
1CCS6P010	C457	10P
1CTSBA106	C458	10uF
1CCS6X223	C459	223P
1CCS6P033	C460	33P
1CCS6P101	C461	100P
1CCS6P033	C462	33P
1CCS6P101	C463	100P
1CCS6P471	C464	470P
1CTSBA225	C467	2.2uF/16V
1CCS6P471	C468	470P
1CCS6P471	C469	470P
1CTSBA475	C470	4.7uF/16V
1CTSBA106	C472	10uF/16V
1CCS8P152	C475	152P
1CTSBA475	C476	4.7uF/16V
1CTSBA475	C477	4.7uF/16V
1CCS6P015	C478	15P

PART LIST

CIRCUIT : 1PR105I2

COMPUCTOR NO.	REFETENCE	VALUE
1CTSBA475	C479	4.7uF/16V
1CCS6P681	C480	680P(2%)
1CCS6P331	C481	330P
1CTSBA225	C482	2.2uF/16V
1CCS6X102	C483	102P
1CCS6P331	C484	330P
1CCS6X104	C485	104P
1CTSBA225	C486	2.2uF/16V
1CTSBA105	C487	1uF/16V
1CCS6X473	C488	473P
1CTSBA106	C491	10uF/16V
1CTSDA474	C492	0.47uF/35V
1CTSDA104	C493	0.1uF/35V
1CCS6P101	C494	100P
1CCS6X103	C499	103P
1CCS6P471	C502	470P
1CCS6P101	C503	100P
1CCS6P003	C504	3P
1CTSBA106	C505	10uF/16V
1CCS6P047	C506	47P
1CTSBA106	C507	10uF/16V
1CCS6X102	C508	102P
1CCS6P471	C509	470P
1CCS6P471	C510	470P
1CCS6P471	C511	470P
1CCS6P471	C512	470P
1CCS6P471	C513	470P
1CCS6P471	C514	470P
1CTSBA106	C515	10uF/16V
1CCS6X473	C516	473P
1CCS6P033	C517	33P
1CCS6P101	C518	100P
1CCS6X103	C519	103P
1CCS6P101	C520	100P
1CTSBA475	C521	4.7uF/16V
1CCS6P471	C523	470P
1CCS6P101	C524	100P
1CCS6P010	C525	10P
1CCS6P010	C526	10P
1CCS6P010	C527	10P
1CTSBA475	C531	4.7uF/16V
1CCS6X103	C533	103P
1CCS6X103	C534	103P
1CCS6X103	C535	103P

ACT52P03B

COMPUCTOR NO.	REFETENCE	VALUE
1CCS6X103	C550	103P
1CCS6X103	C551	103P
1CCS6X103	C552	103P
1CCS6X103	C553	103P
1CENCA476	C554	47uF/25V
1CENCA476	C555	47uF/25V
1CCS6P101	C556	100P
1CCS6P101	C557	100P
1CCS6X103	C558	103P
1CCS6X103	C559	103P
1CCS6X102	C560	102P
1CCS6P101	C561	100P
1CTSBA105	C562	1uF/16V
1CCS6X104	C563	104P
1CTSBA105	C564	1uF/16V
1CTSBA105	C565	1uF/16V
1CCS6X103	C566	103P
1CTSBA475	C601	4.7uF/16V
1CTSBA475	C602	4.7uF/16V
1CCS8Y104	C603	104P
1CTSDA474	C604	0.47uF/35V
1CTSBA475	C605	4.7uF/16V
1CTSBA225	C606	2.2uF/16V
1CTSBA475	C607	4.7uF/16V
1CCS8P331	C608	330P
1CCS6X104	C609	104P
1CCS8X103	C611	103P(NPO)
1CTSBA475	C612	4.7uF/16V
1CCS6P101	C613	100P
1CCS6X103	C614	103P
1CTSBA475	C615	4.7uF/16V
1CTSBA106	C616	10uF/16V
1CCS6P101	C617	100P
1CCS6X103	C618	103P
1CTSBA106	C619	10uF/16V
1CCS6X104	C620	104P
1CCS6P101	C621	100P
1CTSBA225	C622	2.2uF/16V
1CTSBA475	C623	4.7uF/16V
1CCS6X473	C624	473P
1CTSBA475	C625	4.7uF/16V
1CTSBA225	C626	2.2uF/16V
1CTSBA475	C627	4.7uF/16V
1CTSBA475	C628	4.7uF/16V

PART LIST

CIRCUIT : 1PR105I2

COMPUCTOR NO.	REFETENCE	VALUE
1CTSBA106	C629	10uF/16V
1CENEA107	C630	100uF/50V
1CCS6P101	C631	100P
1CCS6P101	C632	100P
1CENEA107	C633	100uF/50V
1CTSBA106	C634	10uF/16V
1CTSBA106	C635	10uF/16V
1CCS6P101	C636	100P
1CCS6X272	C637	272P
1CTSBA225	C638	2.2uF/16V
1CCS6X103	C639	103P
1CCS6X473	C640	473P
1CCSCP332	C641	332P
1CCS6P013	C642	12P
1CCS6X473	C643	473P
1CCS6P121	C644	120P
1CCS6X473	C645	473P
1CCS6X103	C646	103P
1CCS6X392	C647	392P
1CCS6X473	C648	473P
1CCS6X104	C649	104P
1CCS6X104	C650	104P
1CCS6X104	C651	104P
1CTSDA474	C652	0.47uF/35V
1CCS6X473	C653	473P
1CCS6X473	C654	473P
1CCS6P331	C655	330P
1CTSBA475	C656	4.7uF/16V
1CCS6P151	C657	150P
1CTSBA225	C658	2.2uF/16V
1CCS6P151	C659	150P
1CCS6P033	C660	33P
1CCS6P331	C661	330P
1CCS6P151	C662	150P
1CCS6P151	C663	150P
1CCS6X103	C664	103P
1CCS6X473	C665	473P
1CCS6X473	C666	105P
1CCS6X473	C667	105P
1CTSBA475	C668	4.7uF/16V
1CTSBA475	C669	4.7uF/16V
1CCS6X104	C670	104P
1CCS6X104	C671	104P
1CENCA228	C801	2200uF/25V

ACT52P03B

COMPUCTOR NO.	REFETENCE	VALUE
1CCS6X104	C802	104P
1CCS6X104	C803	104P
1CCS6P101	C804	100P
1CTSBA106	C805	10uF/16V
1CTSBA106	C806	10uF/25V
1CCS6X104	C807	104P
1CTSBA106	C808	10uF/25V
1CCS6P101	C809	100P
1CCS6X104	C810	104P
1CCS6X104	C811	104P
1CCS6X104	C812	104P
1CCS6X104	C813	104P
1CENEA107	C814	100uF/50V
1CTSFA475	C817	4.7uF/20V
1CCS6X104	C818	104P
1CCS6X104	C819	104P
1CTSBA225	C82	2.2uF/16V
1CCS6X104	C820	104P
1CCS6X104	C821	104P
1CENCA228	C822	220uF/50V
1CCS6P471	C826	470P
1CCS6P471	C827	470P
1CCS6P471	C828	470P
1CCS6P471	C829	470P
1CCS6P101	C901	100P
1CCS6P101	C902	100P
1CCS6P101	C903	100P
1CCS6P101	C904	100P
1CCS6P101	C905	100P
1CCS6P101	C906	100P
1CCS6P101	C907	100P
1CCS6P101	C908	100P
1CCS6P101	C909	100P
1CCS6P101	C910	100P
1CCS6P101	C911	100P
1CCS6P101	C912	100P
1CCS6P101	C913	100P
1CCS6P101	C914	100P
1CCS6P101	C915	100P
1CCS6P101	C916	100P
1CCS6P101	C917	100P
1CCS6P101	C918	100P
1CCS6P101	C919	100P
1CCS6P101	C920	100P

PART LIST

CIRCUIT : 1PR105I2

COMPUCTOR NO.	REFETENCE	VALUE
1CCS6P101	C921	100P
1CCS6P101	C922	100P
1CCS6P101	C923	100P
1CCS6P101	C924	100P
1CCS6P101	C925	100P
1CCS6P101	C926	100P
1CCS6P101	C927	100P
1CCS6P101	C928	100P
1CCS6P101	C929	100P
1CCS6P101	C930	100P
1CCS6P101	C931	100P
1CCS6P101	C932	100P
1CCS6P101	C933	100P
1CCS6P101	C934	100P
1CCS6P101	C935	100P
1CCS6P101	C936	100P
1CCS6P101	C937	100P
1CCS6P101	C938	100P
1CCS6P101	C939	100P
1CCS6P101	C940	100P
1CCS6P101	C941	100P
1CCS6P101	C942	100P
1CCS6P101	C943	100P
1CCS6P101	C944	100P
1CCS6P101	C945	100P
1CCS6P101	C946	100P
1CCS6P101	C948	100P
1CCS6P101	C967	100P
1FNC0006	F1	1FNC0006
1FSC0005	F2	1FSC0005
1FSC0005	F3	1FSC0005
1FNC0006	F401	1FNC0006
1FSC0005	F402	1FSC0005
1FSC0005	F403	1FSC0005
1FNC0012~20	FL1	1FNC0012~20
1FNC0012~20	FL3	1FNC0012~20
1FNC0012~20	FL401	1FNC0012~20
1FNC0012~20	FL403	1FNC0012~20
1MFA0001	FU1	1MFA0001

ACT52P03B

COMPUCTOR NO.	REFETENCE	VALUE
1MFA0001	FU401	1MFA0001
1MFA0002	FU801	1MFA0002
1SFHB05B	J1	1SFHB05B
1SFHB02B	J2	1SFHB02B
1SFHB02B	J3	1SFHB02B
1SCSD20V	J4	1SCSD20V
1MPC0007	J201	1MPC0007
1MPA0001	J202	1MPA0001
1SFHB05B	J401	1SFHB05B
1SFHB02B	J402	1SFHB02B
1SFHB02B	J403	1SFHB02B
1SCSD20V	J404	1SCSD20V
1MPC0007	J601	1MPC0007
1MPA0001	J602	1MPA0001
1MPD0001	J801	1MPD0001
1LLSA105	L1	1LLSA105
1LLSA104	L2	1LLSA104
1LLS8823	L3	1LLS8823
1LLS6153	L4	1LLS6153
1LLS6153	L5	1LLS6153
1LLS6153	L6	1LLS6153
1LLSA104	L7	1LLSA104
1LLS8153	L8	1LLS8153
1LLS6104	L9	1LLS6104
1LLS8224	L10	1LLS8224
1LLS8224	L12	1LLS8224
1LLS8224	L14	1LLS8224
1LLS8224	L15	1LLS8224
1LLS6274	L16	1LLS6274
1LCNP097	L17	1LCNP097
1LLSA104	L18	1LLSA104
1LCSR566	L19	1LCSR566
1LLSA105	L20	1LLSA105
1LLSA105	L23	1LLSA105
1LLSA105	L24	1LLSA105
1LLSA104	L25	1LLSA104
1LLS8224	L26	1LLS8224
	L27	
1LLS8224	L28	1LLS8224
1LLS8333	L29	1LLS8333
1LLS6224	L30	1LLS6224
1LLS6104	L31	1LLS6104

PART LIST

CIRCUIT : 1PR105I2

COMPUCTOR NO.	REFETENCE	VALUE
1LLS8224	L150	1LLS8224
1LLS8224	L151	1LLS8224
1LLS8224	L152	1LLS8224
1LCSL684	L201	1LCSL684
1LLSA105	L401	1LLSA105
1LLSA104	L402	1LLSA104
1LLS8823	L403	1LLS8823
1LLS6153	L404	1LLS6153
1LLS6153	L405	1LLS6153
1LLS6153	L406	1LLS6153
1LLSA104	L407	1LLSA104
1LLS8153	L408	1LLS8153
1LLS6104	L409	1LLS6104
1LLS8224	L410	1LLS8224
1LLS8224	L412	1LLS8224
1LLS8224	L414	1LLS8224
1LLS8224	L415	1LLS8224
1LLS6274	L416	1LLS6274
1LCNP097	L417	1LCNP097
1LLSA104	L418	1LLSA104
1LCSR566	L419	1LCSR566
1LLSA105	L420	1LLSA105
1LLSA105	L423	1LLSA105
1LLSA105	L424	1LLSA105
1LLSA104	L425	1LLSA104
1LLS8333	L429	1LLS8333
1LLS6224	L430	1LLS6224
1LLS6104	L431	1LLS6104
1LLS8224	L550	1LLS8224
1LLS8224	L551	1LLS8224
1LLS8224	L552	1LLS8224
1LCSL684	L601	1LCSL684
1DLSR210	LED1	1DLSR210
1DLSR210	LED401	1DLSR210
1SFHB02A	P801	1SFHB02A
1TS0520X	Q1	1TS0520X
1TS0520X	Q2	1TS0520X
1TS00508	Q3	1TS00508
1TS04098	Q5	1TS04098
1TS00508	Q6	1TS00508
1TS04097	Q7	1TS04097

ACT52P03B

COMPUCTOR NO.	REFETENCE	VALUE
1TS0520X	Q8	1TS0520X
1TS0520X	Q9	1TS0520X
1TS01577	Q10	1TS01577
1TS04097	Q11	1TS04097
1TS04097	Q12	1TS04097
1TS04097	Q13	1TS04097
1TS05K1N	Q201	1TS05K1N
1TS05K1N	Q202	1TS05K1N
1TS05K1N	Q204	1TS05K1N
1TS05K1N	Q205	1TS05K1N
1TS05K1N	Q206	1TS05K1N
1TS05K1N	Q207	1TS05K1N
1TS05K1N	Q209	1TS05K1N
1TS05K1N	Q210	1TS05K1N
1TS05K1N	Q211	1TS05K1N
1TS05K1N	Q212	1TS05K1N
1TS05K1N	Q213	1TS05K1N
1TS05K1N	Q214	1TS05K1N
1TS04097	Q215	1TS04097
1TS04097	Q216	1TS04097
1TS04097	Q217	1TS04097
1TS0520X	Q401	1TS0520X
1TS0520X	Q402	1TS0520X
1TS00508	Q403	1TS00508
1TS04098	Q405	1TS04098
1TS00508	Q406	1TS00508
1TS04097	Q407	1TS04097
1TS0520X	Q408	1TS0520X
1TS0520X	Q409	1TS0520X
1TS01577	Q410	1TS01577
1TS04097	Q411	1TS04097
1TS04097	Q412	1TS04097
1TS04097	Q413	1TS04097
1TS05K1N	Q601	1TS05K1N
1TS05K1N	Q602	1TS05K1N
1TS05K1N	Q604	1TS05K1N
1TS05K1N	Q605	1TS05K1N
1TS05K1N	Q606	1TS05K1N
1TS05K1N	Q607	1TS05K1N
1TS05K1N	Q609	1TS05K1N
1TS05K1N	Q610	1TS05K1N
1TS05K1N	Q611	1TS05K1N
1TS05K1N	Q612	1TS05K1N
1TS05K1N	Q613	1TS05K1N

PART LIST

CIRCUIT : 1PR105I2

COMPUCTOR NO.	REFETENCE	VALUE
1TS05K1N	Q614	1TS05K1N
1TS04097	Q615	1TS04097
1TS04097	Q616	1TS04097
1TS04097	Q617	1TS04097
1TS05003	Q801	1TS05003
1TS04097	Q802	1TS04097
1RS6A000	R0	0
1RS6A822	R1	8.2K
1RS6A302	R2	3K
1RS6A010	R3	10
1RS6A056	R4	56
1RS6A821	R5	820
1RS6A005	R6	4.7
1RS6A471	R7	470
1RS6A821	R8	820
1RS6A101	R9	100
1RS6A022	R10	22
1RS6A471	R11	470
1RS6A822	R12	8.2K
1RS6A302	R13	3K
1RS6A010	R14	10
1RS6A018	R15	18
1RS6A000	R17	0
1RS6A471	R18	470
1RS6A056	R20	56
1RS6A153	R21	15K
1RS6A123	R22	12K
1RS6A101	R23	100
1RS6A101	R24	100
1RS6A153	R25	15K
1RS6A103	R33	10K
1RS6A103	R34	10K
1RS6A103	R35	10K
1RS6A101	R36	100
1RS6A103	R37	10K
1RS6A105	R38	1M
1RS6A103	R39	10K
1RS6A101	R43	100
1RS6A123	R44	12K
1RS6A222	R45	2.2K
1RS6A103	R47	10K
1RS6A474	R48	470K
1RS6A103	R49	10K

ACT52P03B

COMPUCTOR NO.	REFETENCE	VALUE
1RS6A153	R50	15K
1RS6A222	R51	2.2K
1RS6A047	R52	47
1RS6A472	R53	4.7K
1RS6A683	R54	68K
1RS6D712	R55	7.15K
1RS6A472	R56	4.7K
1RS6D143	R57	14.7K
1RS6A223	R58	22K
1RS6A223	R59	22K
1RS6A223	R60	22K
1RS6A000	R61	0
1RS6A010	R62	10
1RS6A105	R63	1M
1RS6A225	R64	2.2M
1RS6A473	R65	47K
1RS6A473	R66	47K
1RS6A047	R67	47
1RS6A224	R68	220K
1RS6A224	R69	220K
1RS6A563	R70	56K
1RS6A105	R71	1M
1RS6A222	R72	2.2K
1RS6A222	R73	2.2K
1RS6A102	R74	1K
1RS6A473	R75	47K
1RS6A010	R77	10
1RS6A056	R78	56
1RS6A471	R79	470
1RS6A102	R80	1K
1RS6A056	R81	56
1RS6A471	R82	470
1RS6A272	R83	2.7K
1RS6A682	R84	6.8K
1RS6A047	R85	47
1RS6A047	R86	47
1RS6A047	R87	47
1RS6A221	R88	220
1RS6A472	R89	4.7K
1RS6A022	R90	22
1RS6A104	R91	100K
1RS6A333	R92	33K
1RS6A123	R93	12K
1RS6A332	R94	3.3K

PART LIST

CIRCUIT : 1PR105I2

COMPUCTOR NO.	REFETENCE	VALUE
1RS6A103	R95	10K
1RS6A471	R96	470
1RS6A222	R97	2.2K
1RS6A101	R98	100
1RS6A101	R99	100
1RS6A331	R100	330
1RS6A222	R101	2.2K
1RS6A101	R102	100
1RS6A102	R103	1K
1RS6A102	R104	1K
1RS6A222	R105	2.2K
1RS6A102	R106	1K
1RS6A103	R107	10K
1RS6A102	R108	1K
1RS6A102	R109	1K
1RS6A563	R110	56K
1RS6A563	R111	56K
1RS6A104	R120	100K
1RS6A104	R121	100K
1RS6A104	R122	100K
1RS6A473	R123	47K
1RS6A123	R124	12K
1RS6A104	R125	100K
1RS6A047	R126	47
1RS6A471	R150	470
1RS6A471	R151	470
1RS6A022	R152	22
1RS6A022	R153	22
1RS6A102	R156	1K
1RS6A102	R157	1K
1RS6A473	R158	47K
1RS6A224	R159	220K
1RS6A474	R160	470K
1RS6A683	R161	68K
1RS6A563	R162	56K
1RS6A563	R163	56K
1RS6A563	R164	56K
1RS6A133	R201	13K
1RS6A822	R202	8.2K
1RS6A103	R203	10K
1RS6A106	R204	10M
1RS6A047	R205	47
1RS6M473	R206	47K
1RS6A103	R207	10K

ACT52P03B

COMPUCTOR NO.	REFETENCE	VALUE
1RS6A203	R208	20K
1RS6A332	R209	3.3K
1RS6A332	R210	3.3K
1RS6A103	R211	10K
1RS6A332	R212	3.3K
1RS6A332	R213	3.3K
1RS6A332	R214	3.3K
1RS6A333	R215	33K
1RS6A392	R216	3.9K
1RS6A047	R217	47
1RS6A104	R218	100K
1RS6A273	R219	27K
1RS6A393	R220	39K
1RS6A102	R221	1K
1RS6A224	R222	220K
1RS6A473	R223	47K
1RS6A473	R224	47K
1RS6A105	R225	1M
1RS6A106	R226	10M
1RS6A105	R227	1M
1RS6A022	R228	22
1RS6A103	R229	10K
1RS6A105	R230	1M
1RS6A106	R231	10M
1RS6A105	R232	1M
1RS6A103	R233	10K
1RS6A561	R234	560
1RS6A101	R239	100
1RS6A105	R240	1M
1RS6A106	R241	10M
1RS6A105	R242	1M
1RS6A047	R243	47
1RS6A105	R244	1M
1RS6A106	R245	10M
1RS6A105	R246	1M
1RS6A105	R247	1M
1RS6A106	R248	10M
1RS6A105	R249	1M
1RS6A022	R250	22
1RS6A103	R251	10K
1RS6A105	R252	1M
1RS6A106	R253	10M
1RS6A105	R254	1M
1RS6A103	R255	10K

PART LIST

CIRCUIT : 1PR105I2

COMPUCTOR NO.	REFETENCE	VALUE
1RS6A561	R256	560
1RS6A101	R261	100
1RS6A105	R262	1M
1RS6A106	R263	10M
1RS6A105	R264	1M
1RS6A047	R265	47
1RS6A105	R266	1M
1RS6A106	R267	10M
1RS6A105	R268	1M
1RS6A105	R269	1M
1RS6A106	R270	10M
1RS6A105	R271	1M
1RS6A022	R272	22
1RS6A103	R273	10K
1RS6A561	R274	560
1RS6A201	R275	200
1RS6A105	R276	1M
1RS6A106	R277	10M
1RS6A105	R278	1M
1RS6A082	R279	82
1RS6A105	R280	1M
1RS6A106	R281	10M
1RS6A105	R282	1M
1RS6A105	R283	1M
1RS6A106	R284	10M
1RS6A105	R285	1M
1RS6A103	R286	10K
1RS6A182	R287	1.8K
1RS6A683	R288	68K
1RS6A224	R290	220K
1RS6A221	R291	220
1RS6A105	R292	1M
1RS6A393	R293	39K
1RS6A105	R294	1M
1RS6A105	R295	1M
1RS6A473	R296	47K
1RS6A474	R297	470K
1RS6A133	R298	13K
1RS6A562	R299	5.6K
1RS6A105	R300	1M
1RS6A472	R301	4.7K
1RS6A105	R302	1M
1RS6A682	R303	6.8K
1RS6A682	R304	6.8K

ACT52P03B

COMPUCTOR NO.	REFETENCE	VALUE
1RS6A183	R305	18K
1RS6A303	R306	30K
1RS6A105	R307	1M
1RS6A563	R308	56K
1RS6A104	R309	100K
1RS6A101	R310	100
1RS6A822	R311	8.2K
1RS6A563	R312	56K
1RS6A103	R313	10K
1RS6A010	R314	10
1RS6A047	R315	47
1RS6A822	R316	8.2K
1RS6A010	R317	10
1RS6A103	R318	10K
1RS6A822	R319	8.2K
1RS6A822	R320	8.2K
1RS6A563	R321	56K
1RS6A105	R322	1M
1RS6A154	R323	150K
1RS6A153	R324	15K
1RS6A331	R325	330
1RS6A473	R326	47K
1RS6A183	R327	18K
1RS6A473	R328	47K
1RS6A104	R329	100K
1RS6A123	R330	12K
1RS6A047	R331	47
1RS6A105	R332	1M
1RS6A473	R333	47K
1RS6A103	R334	10K
1RS6A105	R335	1M
1RS6A563	R336	56K
1RS6A103	R338	10K
1RS6A563	R339	56K
1RS6A104	R341	100K
1RNHB502	R342	TH5K
1RS6A822	R401	8.2K
1RS6A302	R402	3K
1RS6A010	R403	10
1RS6A056	R404	56
1RS6A821	R405	820
1RS6A005	R406	4.7
1RS6A471	R407	470
1RS6A821	R408	820

PART LIST

CIRCUIT : 1PR105I2

COMPUCTOR NO.	REFETENCE	VALUE
1RS6A101	R409	100
1RS6A022	R410	22
1RS6A471	R411	470
1RS6A822	R412	8.2K
1RS6A302	R413	3K
1RS6A010	R414	10
1RS6A018	R415	18
1RS6A000	R417	0
1RS6A471	R418	470
1RS6A056	R420	56
1RS6A153	R421	15K
1RS6A123	R422	12K
1RS6A101	R423	100
1RS6A101	R424	100
1RS6A153	R425	15K
1RS6A103	R433	10K
1RS6A103	R434	10K
1RS6A103	R435	10K
1RS6A101	R436	100
1RS6A103	R437	10K
1RS6A105	R438	1M
1RS6A103	R439	10K
1RS6A101	R443	100
1RS6A123	R444	12K
1RS6A222	R445	2.2K
1RS6A103	R447	10K
1RS6A474	R448	470K
1RS6A103	R449	10K
1RS6A153	R450	15K
1RS6A222	R451	2.2K
1RS6A047	R452	47
1RS6A472	R453	4.7K
1RS6A683	R454	68K
1RS6D712	R455	7.15K
1RS6A472	R456	4.7K
1RS6D143	R457	14.7K
1RS6A223	R458	22K
1RS6A223	R459	22K
1RS6A223	R460	22K
1RS6A000	R461	0
1RS6A010	R462	10
1RS6A105	R463	1M
1RS6A225	R464	2.2M
1RS6A473	R465	47K

ACT52P03B

COMPUCTOR NO.	REFETENCE	VALUE
1RS6A473	R466	47K
1RS6A047	R467	47
1RS6A224	R468	220K
1RS6A224	R469	220K
1RS6A563	R470	56K
1RS6A222	R472	2.2K
1RS6A222	R473	2.2K
1RS6A102	R474	1K
1RS6A473	R475	47K
	R476	R476
1RS6A010	R477	10
1RS6A056	R478	56
1RS6A471	R479	470
1RS6A102	R480	1K
1RS6A056	R481	56
1RS6A471	R482	470
1RS6A272	R483	2.7K
1RS6A682	R484	6.8K
1RS6A047	R485	47
1RS6A047	R486	47
1RS6A047	R487	47
1RS6A221	R488	220
1RS6A472	R489	4.7K
1RS6A022	R490	22
1RS6A104	R491	100K
1RS6A333	R492	33K
1RS6A123	R493	12K
1RS6A332	R494	3.3K
1RS6A103	R495	10K
1RS6A471	R496	470
1RS6A222	R497	2.2K
1RS6A101	R498	100
1RS6A101	R499	100
1RS6A331	R500	330
1RS6A222	R501	2.2K
1RS6A101	R502	100
1RS6A102	R503	1K
1RS6A102	R504	1K
1RS6A222	R505	2.2K
1RS6A102	R506	1K
1RS6A103	R507	10K
1RS6A102	R508	1K
1RS6A102	R509	1K
1RS6A563	R510	56K

PART LIST

CIRCUIT : 1PR105I2

COMPUCTOR NO.	REFETENCE	VALUE
1RS6A563	R511	56K
1RS6A104	R520	100K
1RS6A104	R522	100K
1RS6A473	R523	47K
1RS6A123	R524	12K
1RS6A104	R525	100K
1RS6A047	R526	47
1RS6A471	R550	470
1RS6A471	R551	470
1RS6A022	R552	22
1RS6A022	R553	22
1RS6A102	R556	1K
1RS6A102	R557	1K
1RS6A473	R558	47K
1RS6A224	R559	220K
1RS6A474	R560	470K
1RS6A683	R561	68K
1RS6A563	R562	56K
1RS6A563	R563	56K
1RS6A563	R564	56K
1RS6A133	R601	13K
1RS6A822	R602	8.2K
1RS6A103	R603	10K
1RS6A106	R604	10M
1RS6A332	R605	3.3K
1RS6M473	R606	47K(M)
1RS6A103	R607	10K
1RS6A203	R608	20K
1RS6A332	R609	3.3K
1RS6A332	R610	3.3K
1RS6A047	R611	47
1RS6A332	R612	3.3K
1RS6A332	R613	3.3K
1RS6A332	R614	3.3K
1RS6A333	R615	33K
1RS6A392	R616	3.9K
1RS6A047	R617	47
1RS6A104	R618	100K
1RS6A273	R619	27K
1RS6A393	R620	39K
1RS6A102	R621	1K
1RS6A224	R622	220K
1RS6A473	R623	47K
1RS6A473	R624	47K

ACT52P03B

COMPUCTOR NO.	REFETENCE	VALUE
1RS6A105	R625	1M
1RS6A106	R626	10M
1RS6A105	R627	1M
1RS6A022	R628	22
1RS6A103	R629	10K
1RS6A105	R630	1M
1RS6A106	R631	10M
1RS6A105	R632	1M
1RS6A103	R633	10K
1RS6A561	R634	560
1RS6A101	R639	100
1RS6A105	R640	1M
1RS6A106	R641	10M
1RS6A105	R642	1M
1RS6A047	R643	47
1RS6A105	R644	1M
1RS6A106	R645	10M
1RS6A105	R646	1M
1RS6A105	R647	1M
1RS6A106	R648	10M
1RS6A105	R649	1M
1RS6A022	R650	22
1RS6A103	R651	10K
1RS6A105	R652	1M
1RS6A106	R653	10M
1RS6A105	R654	1M
1RS6A103	R655	10K
1RS6A561	R656	560
1RS6A101	R661	100
1RS6A105	R662	1M
1RS6A106	R663	10M
1RS6A105	R664	1M
1RS6A047	R665	47
1RS6A105	R666	1M
1RS6A106	R667	10M
1RS6A105	R668	1M
1RS6A105	R669	1M
1RS6A106	R670	10M
1RS6A105	R671	1M
1RS6A022	R672	22
1RS6A103	R673	10K
1RS6A561	R674	560
1RS6A201	R675	200
1RS6A105	R676	1M

PART LIST

CIRCUIT : 1PR105I2

COMPUCTOR NO.	REFETENCE	VALUE
1RS6A106	R677	10M
1RS6A105	R678	1M
1RS6A082	R679	82
1RS6A105	R680	1M
1RS6A106	R681	10M
1RS6A105	R682	1M
1RS6A105	R683	1M
1RS6A106	R684	10M
1RS6A105	R685	1M
1RS6A103	R686	10K
1RS6A182	R687	1.8K
1RS6A683	R688	68K
1RS6A224	R690	220K
1RS6A221	R691	220
1RS6A105	R692	1M
1RS6A393	R693	39K
1RS6A105	R694	1M
1RS6A105	R695	1M
1RS6A473	R696	47K
1RS6A474	R697	470K
1RS6A133	R698	13K
1RS6A562	R699	5.6K
1RS6A105	R700	1M
1RS6A472	R701	4.7K
1RS6A105	R702	1M
1RS6A682	R703	6.8K
1RS6A682	R704	6.8K
1RS6A473	R705	47K
1RS6A303	R706	30K
1RS6A105	R707	1M
1RS6A563	R708	56K
1RS6A104	R709	100K
1RS6A101	R710	100
1RS6A822	R711	8.2K
1RS6A563	R712	56K
1RS6A103	R713	10K
1RS6A010	R714	10
1RS6A047	R715	47
1RS6A822	R716	8.2K
1RS6A010	R717	10
1RS6A103	R718	10K
1RS6A822	R719	8.2K
1RS6A822	R720	8.2K
1RS6A563	R721	56K

ACT52P03B

COMPUCTOR NO.	REFETENCE	VALUE
1RS6A105	R722	1M
1RS6A154	R723	150K
1RS6A153	R724	15K
1RS6A331	R725	330
1RS6A473	R726	47K
1RS6A183	R727	18K
1RS6A473	R728	47K
1RS6A104	R729	100K
1RS6A123	R730	12K
1RS6A047	R731	47
1RS6A105	R732	1M
1RS6A473	R733	47K
1RS6A103	R734	10K
1RS6A105	R735	1M
1RS6A563	R736	56K
1RS6A105	R737	1M
1RS6A103	R738	10K
1RS6A563	R739	56K
1RS6A047	R740	47
1RS6A104	R741	100K
1RNHB502	R742	TH5K
1RS6A103	R743	10K
1RS6A103	R801	10K
1RS6A103	R802	10K
1RS6A105	R803	1M
1RS6A104	R805	100K
1RS6A333	R806	33K
1RS6A104	R807	100K
1RS6A224	R808	220K
1RS6A224	R809	220K
1RS6A102	R810	1K
1RS6A473	R811	47K
1LLSD001	RB1	1LLSD001
1LLSD001	RB2	1LLSD001
1LLSD001	RB3	1LLSD001
1LLSD001	RB4	1LLSD001
1FSC0002	RB5	1FSC0002
1LLSD001	RB201	1LLSD001
1LLSD001	RB202	1LLSD001
1LLSD001	RB203	1LLSD001
1LLSD001	RB401	1LLSD001
1LLSD001	RB402	1LLSD001
1LLSD001	RB403	1LLSD001

PART LIST

CIRCUIT : 1PR105I2

COMPUCTOR NO.	REFETENCE	VALUE
1FSC0002	RB404	1FSC0002
1LLSD001	RB602	1LLSD001
1LLSD001	RB603	1LLSD001
1LLSD001	RB604	1LLSD001
1LLSD001	RB801	1LLSD001
1LLSD001	RB802	1LLSD001
1LLSD001	RB803	1LLSD001
1LLSD001	RB804	1LLSD001
1MPR0002	RF1	1MPR0002
1MPR0002	RF401	1MPR0002
1FSC0019	SF1	1FSC0019
1FSC0019	SF401	1FSC0019
1SWN0021	SW1	1SWN0021
1SWN0008	SW201	1SWN0008
1SWN0021	SW401	1SWN0021
1UBS0001	T1	1UBS0001
1UBS0001	T2	1UBS0001
1UBS0001	T401	1UBS0001
1UBS0001	T402	1UBS0001
1TS00520	U1	1TS00520
1IS00636	U2	1IS00636
1IS02903	U3	1IS02903
1IS072BM	U4	1IS072BM
1IS02903	U5	1IS02903
1IS1503S	U6	1IS1503S
1IR16F83	U7	1IR16F83
1IS02903	U101	1IS02903
1IS0572N	U201	1IS0572N
1IS02068	U202	1IS02068
1IS02068	U203	1IS02068
1IS02068	U204	1IS02068
1IS02068	U205	1IS02068
1IS072BM	U206	1IS072BM
1IS02068	U208	1IS02068
1IS02903	U209	1IS02903
1TS00520	U401	1TS00520
1IS00636	U402	1IS00636
1IS072BM	U404	1IS072BM
1IS02903	U405	1IS02903

ACT52P03B

COMPUCTOR NO.	REFETENCE	VALUE
1IS1503S	U406	1IS1503S
1IR16F83	U407	1IR16F83
1IS02903	U501	1IS02903
1IS02068	U602	1IS02068
1IS02068	U603	1IS02068
1IS02068	U604	1IS02068
1IS02068	U605	1IS02068
1IS072BM	U606	1IS072BM
1IS02903	U607	1IS02903
1IS02068	U608	1IS02068
1IS02903	U609	1IS02903
1IN07808	U801	1IN07808
1IN07551	U802	1IN07551
1IN07551	U803	1IN07551
1IN07551	U804	1IN07551
1CVSTC010	VC1	1CVSTC010
1CVS3U300	VC2	1CVS3U300
1CVSTC010	VC401	1CVSTC010
1CVS3U300	VC402	1CVS3U300
1RNVA103	VR1	1RNVA103
1RSVB502	VR2	1RSVB502
1RNVA503	VR3	1RNVA503
1RNVA502	VR201	1RNVA502
1RNVA503	VR203	1RNVA503
1RSVB502	VR204	1RSVB502
1RNVA103	VR401	1RNVA103
1RNVA502	VR601	1RNVA502
1KP60300	X1	1KP60300
1KM40000	X2	1KM40000
1KM32768	X201	1KM32768
1KP60300	X401	1KP60300
1KM40000	X402	1KM40000
1KM32768	X601	1KM32768
1DDS0451	Z2	1DDS0451
1DVS0229	Z3	1DVS0229
1DDS0068	Z5	1DDS0068
1DDS0056	Z6	1DDS0056
1DCSU051	Z8	1DCSU051
1DDS0204	Z13	1DDS0204
1DDS0731	Z150	1DDS0731

PART LIST

ACT52P03B

CIRCUIT : 1PR105I2

COMPUCTOR NO.	REFETENCE	VALUE
1DDS0731	Z151	1DDS0731
1DDS0451	Z152	1DDS0451
1DDS0451	Z153	1DDS0451
1DDS0204	Z154	1DDS0204
1DDS0204	Z155	1DDS0204
1DDS0204	Z201	1DDS0204
1DDS0204	Z202	1DDS0204
1DDS0204	Z203	1DDS0204
1DDS0204	Z204	1DDS0204
1DDS0204	Z205	1DDS0204
1DDS0451	Z402	1DDS0451
1DVS0229	Z403	1DVS0229
1DDS0068	Z405	1DDS0068
1DDS0056	Z406	1DDS0056
1DCSU051	Z408	1DCSU051
1DDS0204	Z413	1DDS0204
1DDS0731	Z550	1DDS0731
1DDS0731	Z551	1DDS0731
1DDS0451	Z552	1DDS0451
1DDS0451	Z553	1DDS0451
1DDS0204	Z554	1DDS0204
1DDS0204	Z555	1DDS0204
1DDS0204	Z601	1DDS0204
1DDS0204	Z602	1DDS0204
1DDS0204	Z603	1DDS0204
1DDS0204	Z604	1DDS0204
1DDS0204	Z605	1DDS0204
1DDS0014	Z801	1DDS0014
1DDS0204	Z802	1DDS0204
1DDS0204	Z803	1DDS0204
1DDS0204	Z804	1DDS0204
1DDS0014	Z805	1DDS0014
1DDS0204	Z806	1DDS0204

PART LIST

CIRCUIT : 1PR202B1

COMPUCTOR NO.	REFETENCE	VALUE
1CTSBA225	C1	2.2uF/16V
1CTSBA105	C2	1uF/16V
1CTSDA104	C3	0.1uF/35V
1CEMEA226	C4	22uF/25V
1CTSDA104	C5	0.1uF/35V
1CTSBA106	C6	10uF/16V
1CTSBA105	C7	1uF/16V
1CTSDA104	C8	0.1uF/35V
1CTSDA104	C9	0.1uF/35V
1CTSDA104	C10	0.1uF/35V
1CTSDA104	C11	0.1uF/35V
1CCS6X104	C12	104P
1CCS6X104	C13	104P
1CTSBA225	C18	2.2uF/16V
1CEMEA226	C20	22uF/25V
1CTSBA106	C21	10uF/16V
1CENCA227	C22	220uF/25V
1CEMEA226	C23	22uF/25V
1CEMEA226	C24	22uF/25V
1CEMEA226	C25	22uF/25V
1CEMEA226	C26	22uF/25V
1CENCA227	C27	220uF/25V
1CCS6X104	C28	104P
1CCS6X104	C29	104P
1SFHB05B	J3	1SFHB05B
1DLNRC03	LED1	1DLNRC03
1DLNRC03	LED2	1DLNRC03
1TS02150	Q1	1TS02150
1TS04097	Q2	1TS04097
1TS04097	Q3	1TS04097
1TS01197	Q4	1TS01197
1TS01197	Q5	1TS01197
1TS04097	Q6	1TS04097
1TS04097	Q7	1TS04097
1TS02150	Q8	1TS02150
1TS01577	Q9	1TS01577
1TS01577	Q10	1TS01577
1TS04097	Q11	1TS04097
1TS01577	Q12	1TS01577
1TS01577	Q13	1TS01577
1TS04097	Q14	1TS04097

ACT52P03B

COMPUCTOR NO.	REFETENCE	VALUE
1TS01577	Q15	1TS01577
1RS6A563	R1	56K
1RS6A471	R3	470
1RS6A102	R4	1K
1RS6A101	R5	100
1RS6A101	R6	100
1RS6A101	R7	100
1RS6A102	R12	1K
1RS6A473	R13	47K
1RS6A473	R14	47K
1RS6A473	R15	47K
1RS6A473	R17	47K
1RS6A102	R18	1K
1RS6A222	R19	2.2K
1RS6A561	R20	560
1RS6A102	R21	1K
1RS6A102	R22	1K
1RS6A102	R23	1K
1RS6A102	R24	1K
1RS6A104	R25	100K
1RS6A332	R26	3.3K
1RS6A473	R27	47K
1RS6A056	R28	56
1RS6A101	R29	100
1RS6A101	R30	100
1RS6A101	R31	100
1RS6A473	R32	47K
1RS6A473	R33	47K
1RS6A473	R34	47K
1RS6A473	R35	47K
1RS6A332	R36	3.3K
1RS6A102	R37	1K
1RS6A473	R38	47K
1RS6A102	R39	1K
1RS6A102	R40	1K
1RS6A222	R41	2.2K
1RS6A102	R42	1K
1RS6A561	R43	560
1RS6A102	R44	1K
1RS6A102	R45	1K
1RS6A104	R46	100K
1RS6A102	R47	1K
1RS6A056	R48	56

PART LIST

CIRCUIT : 1PR202B1

COMPUCTOR NO.	REFETENCE	VALUE
1RS6A563	R49	56K
1RS6A152	R50	1.5K
1RS6A681	R51	680
1RS6A332	R52	3.3K
1RS6D563	R53	56.2K(1%)
1RS6A222	R54	2.2K
1RS6A103	R57	10K
1RS6A561	R58	560
1RS6A152	R59	1.5K
1RS6A181	R60	680
1RS6A332	R61	3.3K
1RS6D563	R62	56.2K(1%)
1RS6A222	R63	2.2K
1RS6A103	R66	10K
1RS6A561	R67	560
1RS6A103	R68	10K
1RS6A103	R69	10K
1RS1A000	R70	0(1206)
1RS1A000	R71	0(1206)
1RS6A473	R72	47K
1RS6A244	R73	240K
1RS6A473	R74	47K
1RS6A471	R77	470
1SWN0011	SW1	1SWN0011
1SWN0011	SW2	1SWN0011
1SWN0011	SW3	1SWN0011
1SWN0011	SW4	1SWN0011
1SWN0011	SW5	1SWN0011
1SWN0011	SW6	1SWN0011
1SWN0011	SW7	1SWN0011
1SWN0011	SW8	1SWN0011
1SWN0011	SW9	1SWN0011
1SPUT001	T1	1SPUT001
1SPUT001	T2	1SPUT001
1IN06311	U1	1IN06311
1IS12675	U2	1IS12675
1IN06311	U3	1IN06311
1DLD1119	VFD1	1DLD1119
	VFD2	

ACT52P03B

COMPUCTOR NO.	REFETENCE	VALUE
1DDS001D	Z1	1DDS001D
1DDS0451	Z2	1DDS0451
1DDS0014	Z3	1DDS0014
1DDS0014	Z4	1DDS0014
1DDS0204	Z5	1DDS0204
1DDS0014	Z6	1DDS0014
1DDS001D	Z7	1DDS001D
1DBN0431	Z8	1DBN0431
1DDS0014	Z9	1DDS0014
1DDS0204	Z10	1DDS0204
1DBN0431	Z11	1DBN0431
1DDS0204	Z12	1DDS0204
1DDS0204	Z13	1DDS0204