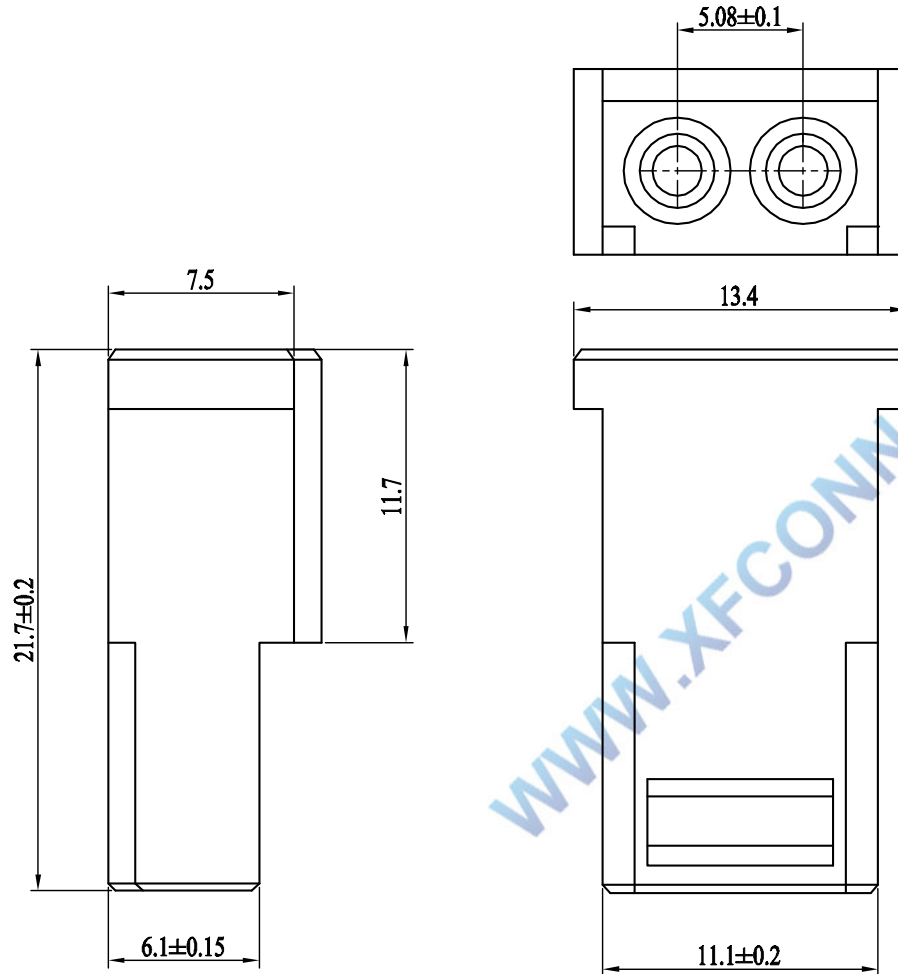


环保物料

TEL: 0769-82001899



**SPECIFICATIONS**

- 1.Voltage rating: 250V AC, DC
- 2.Current rating: 10A, AC, DC
- 3.Withstanding Voltage: 1500V AC/minute
- 4.Insulation resistance:1000M min
- 5.Temperature range: -25 ° C-+85 ° C
- 6.Contact resistance: 10m max

**HOUSING**

Housing Material:Nylon66 UL94V-0(2)  
 Accepts :T5082 terminal  
 Mates with: M5082 series header  
 Poles : 02P  
 Part No.: P5082-02-N2

WWW.XFCNN.COM

				TOLERANCE UNLESS OTHERWISE		DRAWN	CK tan	<b>XFCN</b> 兴飞连接器有限公司 CONNECTORS XFCN CONNECTORS CO., LTD.		SHEET	1/1	
				X.	±0.30	X°	±5°			CHKD	DATE	2010. 4. 12
				.X	±0.20	.X°	±2°	APPD	PRODUCT NAME	5.08mm Crimp Style Connectors	UNITS	mm
				.XX	±0.08	.XX°	±1°	VIEW	PART. NO.	P5082-02-N2	SCALE	1:1
				.XXX	±0.03	.XXX°	±0.5°				DWG NO.	009
AO	MODIFICATION		DRAW	DATE								