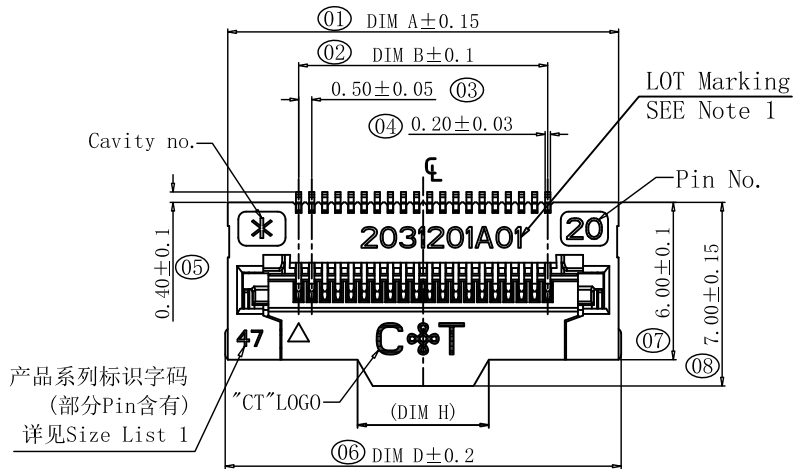


禁止使用1级环境管理物质
Non-use Warranty for level 1 Prohibited Substances in Product.
HF (Halogen Free)

版本 ISSUE	变更通知单号 ECN NO	变更内容 DESCRIPTION	日期 DATE
A/0	NEW RELEASE	NEW RELEASE	2017. 12. 13



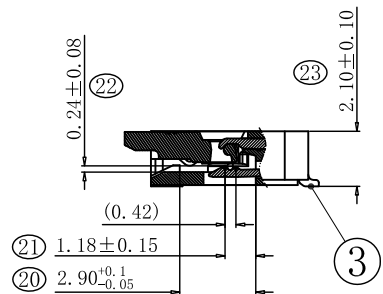
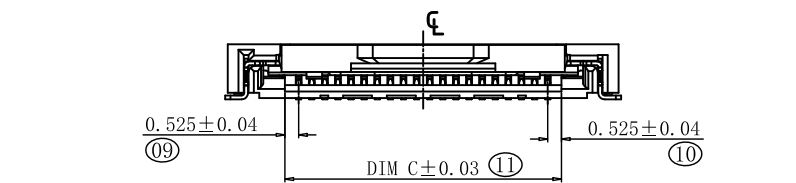
产品系列标识字母
(部分Pin含有)
详见Size List 1

NOTES 1(昶通Lot No): 2 03 12 01 A 01.
Year of manufacturing(年) (2:2022 Year, 9:2029 Year)
Month of manufacturing(月)
Date of manufacturing(日)
Assembly machine no. (装配机台号)
Time of manufacturing(班别)
A: Daytime (白班), B: Night (夜班)
Reel Number (盘号)

NOTES:
MATERIAL:
INSULATOR: LCP PLASTIC. UL 94V-0 COLOR : NATURE
COVER: THERMO-PLASTIC COLOR:BLACK
TERMINAL: PHOSPHOR COPPER.
CONTACT: COPPER ALLOY

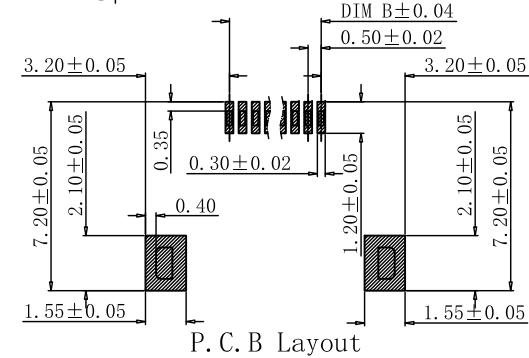
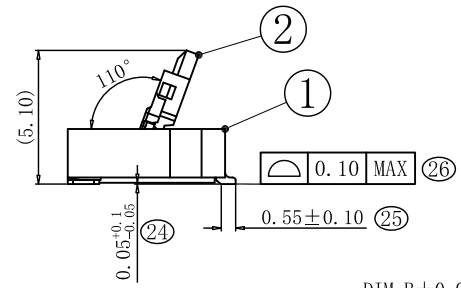
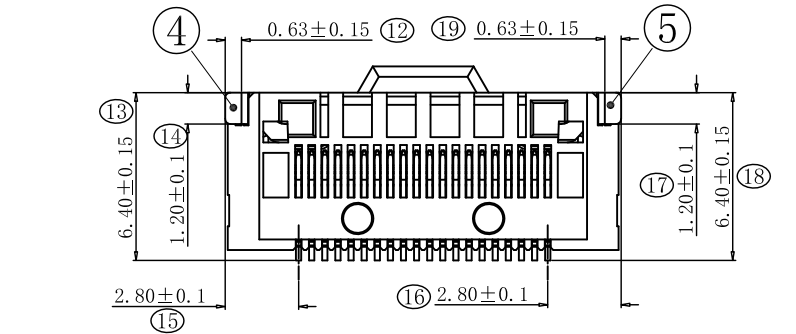
SPECIFICATION:
CURRENT RATING: 0.5A 50V AC/DC
CONTACT RESISTANCE: 30mΩ MAX
INSULATION RESISTANCE: 100MΩ MIN AT 500V DC
OPERATING TEMPERATURE RANGE: -40° C TO +85° C
WITHSTANDING VOLTANG:500V AC/minute

料号编排说明:F050 47 - **P - 21.
产品分类码 F050:FPC 0.5Pitch
产品系列码 47:前掀式6.0mm宽
Pin位码 10P:10Pin 60P:60Pin
电镀码 21: 鍍锡区点镀金1u"Min; 接触区点镀金1u"Min; 底层全区打镍底50~100u".



Size List 1:

PIN NO.	DIM A	DIM B	DIM C	DIM D	DIM H	是否有“47” 产品标识字母
10	9.90	4.50	5.55	10.10	3.50	否
12	10.90	5.50	6.55	11.10		否
15	12.40	7.00	8.05	12.60		否
18	13.90	8.50	9.55	14.10	5.00	否
20	14.90	9.50	10.55	15.10		否
24	16.90	11.50	12.55	17.10		否
26	17.90	12.50	13.55	18.10	10.00	否
30	19.90	14.50	15.55	20.10		是
50	29.90	24.50	25.55	30.10		是
60	34.90	29.50	30.55	35.10	是	
68	38.90	33.50	34.55	39.10	是	

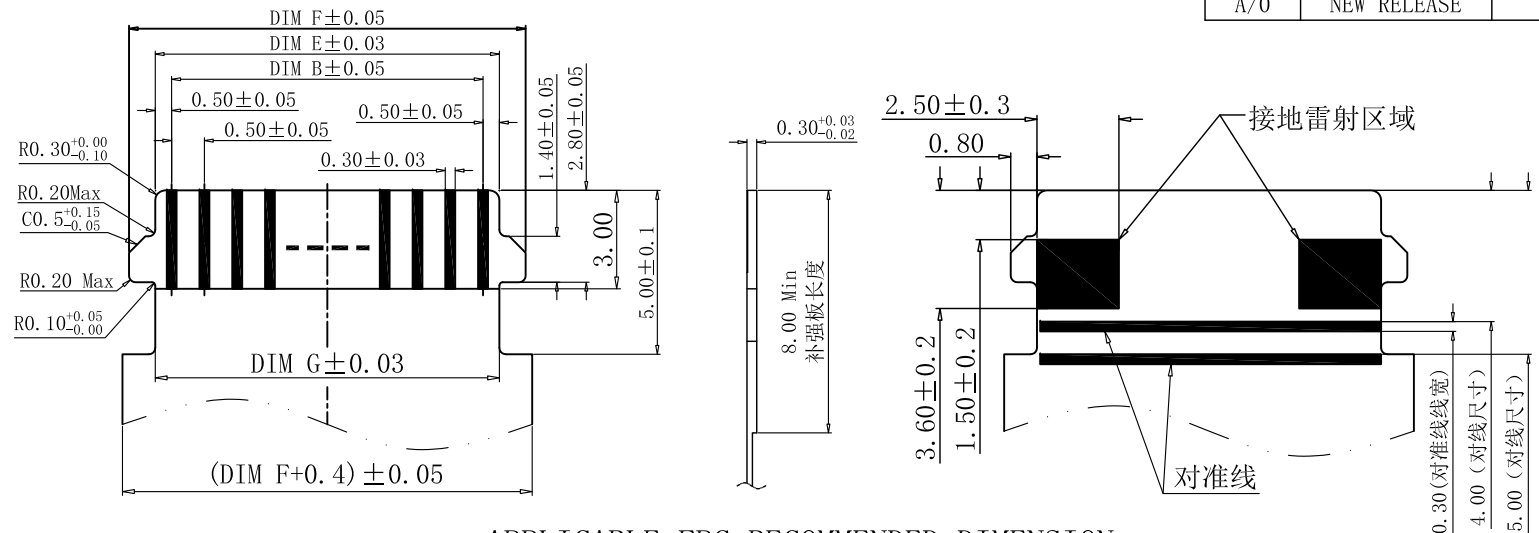


5	右接地片	1	COPPER ALLOY	雾锡	冲压件
4	左接地片	1	COPPER ALLOY	雾锡	冲压件
3	端子	**	PHOSPHOR COPPER	点镀金	冲压件
2	掀盖	1	GLASS FILLED THERMO-PLASTIC	黑色	成型件
1	塑胶主体	1	GLASS FILLED THERMO-PLASTIC	白色	成型件
项次	名称	数量	材质	电镀 (或颜色)	备注

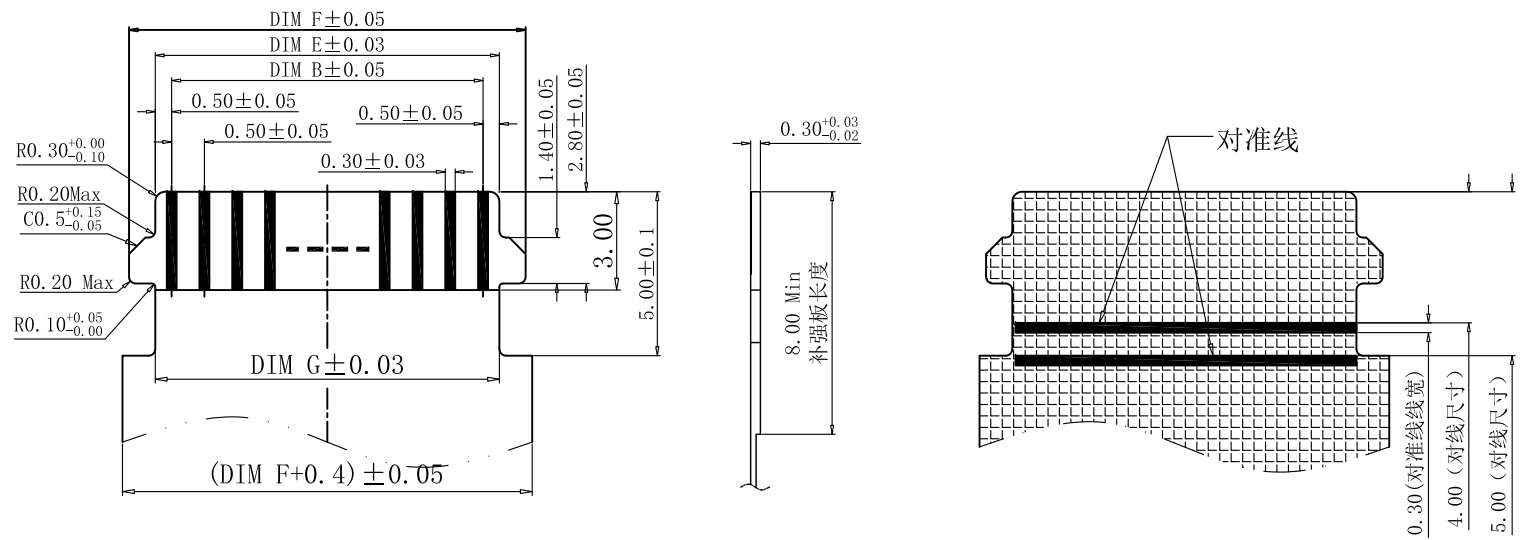
C+T 东莞市昶通通讯科技有限公司
Dongguan Changtong Communication Technology CO., Ltd

品名 TITLE	FPC 0.5Pitch 2.HI 6.0mm wide connector	Unless otherwise specified tolerances are 未标注公差	类型 TYPE	业务图
制图 DESIGNER	Bruce2022.09.23	X. X ±0.25 X. XX ±0.20 X. XX ±0.15	产品料号 PRODUCT P/N	F05047-**-21
审核 CHECKED	Aaron2022.09.23	X. XXX ±0.10 ANGLES ±1°	材质 MATERIAL	/
核准 APPROVED	Aaron2022.09.23	投影方法 PROJECTION	比例 SCALE	1:1 张次 SHF. NO. 1/3

版本 ISSUE	变更通知单号 ECN NO	变更内容 DESCRIPTION	日期 DATE
A/0	NEW RELEASE	NEW RELEASE	2017.12.13



APPLICABLE FPC RECOMMENDED DIMENSION
一体覆膜(接地)



APPLICABLE FPC RECOMMENDED DIMENSION
一体补强板铝箔FFC线

Size List 2:

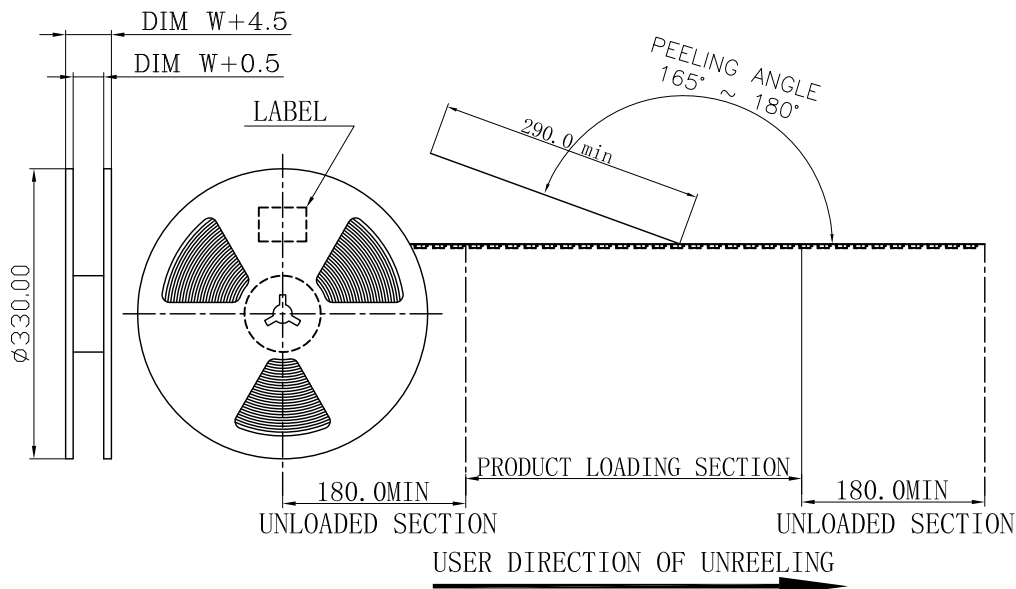
PIN NO.	DIM B	DIM E	DIM F	DIM G
10	4.50	5.50	7.10	5.50
12	5.50	6.50	8.10	6.50
15	7.00	8.00	9.60	8.00
18	8.50	9.50	11.10	9.50
20	9.50	10.50	12.10	10.50
24	11.50	12.50	14.10	12.50
26	12.50	13.50	15.10	13.50
30	14.50	15.50	17.10	15.50
50	24.50	25.50	27.10	25.50
60	29.50	30.50	32.10	30.50
68	33.50	34.50	36.10	34.50

C+T 东莞市昶通通讯科技有限公司
Dongguan Changtong Communication Technology CO., Ltd

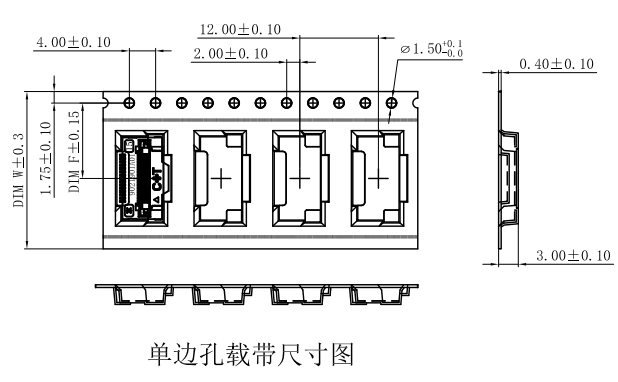
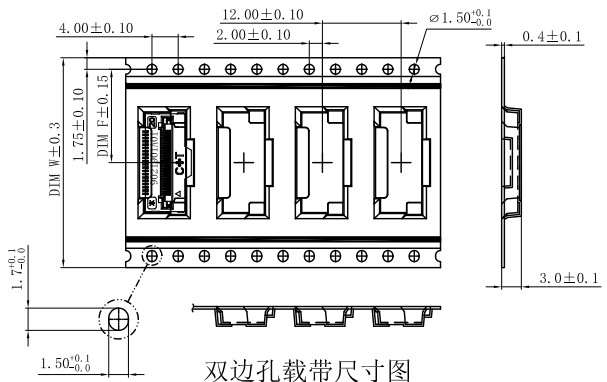
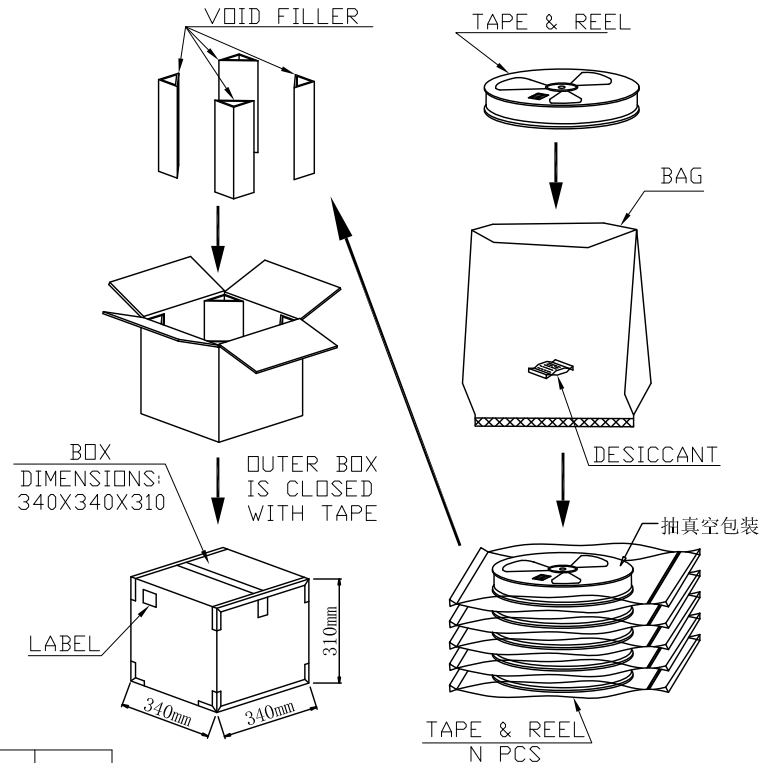
品名 TITLE	FPC 0.5Pitch 2.1H 6.0mm wide connector	Unless otherwise specified tolerances are 未标注公差	类型 TYPE	业务图
制图 DESIGNER	Bruce2022.09.23	X. X ±0.25 X. XX ±0.20 X. XX ±0.15 X. XXX ±0.10	产品料号 PRODUCT P/N	F05047-***P-21
审核 CHECKED	Aaron2022.09.23	ANGLES ±1°	材质 MATERIAL	/
核准 APPROVED	Aaron2022.09.23	投影方法 PROJECTION	比例 SCALE	1:1 张次 SHF. NO. 2/3

禁止使用1级环境管理物质
Non-use Warranty for level 1 Prohibited Substances in Product.
HF (Halogen Free)

版本 ISSUE	变更通知单号 ECN NO	变更内容 DESCRIPTION	日期 DATE
A/0	NEW RELEASE	NEW RELEASE	2017. 12. 13



- NOTE:
- MATERIAL:
BOX: FIBREBOARD, CORRUGATED, DOUBLE WALL, (BURSTING STRENGTH: 19Kgf/cm², EDGE CRUSH STRENGTH: 44 LB)
TAPE: POLYSTYRENES, TRANSPARENT COLOR.
REEL: POLYSTYRENES, BLUE COLOR.
BAG: POLYETHYLENE,
 - PACKAGING MATERIAL IN PLASTIC, RUBBER, INK, PIGMENT AND PAINT MUST MEET CONTROLLED SUBSTANCES SPEC PER 230-702.
* CADMIUM AND CADMIUM COMPOUNDS NOT TO EXCEED 5 PPM.
* LEAD, CADMIUM, CHROM VI AND MERCURY NOT TO EXCEED 100 PPM (COMBINED).
 - EACH BAG SHALL BE INCLUDED DESICCANT.
 - CARRIER TAPES, COVER TAPES, REELS AND TAPED COMPONENTS MUST MEET THE REQUIREMENTS DEFINED PER EIA-481-C.
 - PEELING STRENGTH: 0.1 ~ 1.3 N (10 ~ 130 GRAMS)
 - PEELING SPEED: 300 mm/min.



Pin NO.	PCS/REEL	PCS/BOX	GROSS WEIGHT	NET WEIGHT	DIM W	DIM F
10P	2000	20000	9.90Kg	4.39Kg	24	11.5
12P	2000	20000	9.90Kg	4.39Kg	24	11.5
15P	2000	20000	10.58Kg	5.08Kg	24	11.5
18P	2000	16000	/	/	32	14.2
20P	2000	16000	/	/	32	14.2

Pin NO.	PCS/REEL	PCS/BOX	GROSS WEIGHT	NET WEIGHT	DIM W	DIM F
24P	2000	16000	/	/	32	14.2
26P	2000	16000	/	/	32	14.2
30P	2000	16000	/	/	32	14.2
50P	2000	12000	/	/	44	20.2
60P	2000	10000	/	/	56	26.2
68P	2000	10000	/	/	56	26.2

C+T 东莞市昶通通讯科技有限公司
Dongguan Changtong Communication Technology CO., Ltd

品名 TITLE	FPC 0.5Pitch 2.HI 6.0mm wide connector	Unless otherwise specified tolerances are 未标注公差	类型 TYPE	业务图
制图 DESIGNER	Bruce2022.09.23	X.X ±0.25 X.XX ±0.20 X.XXX ±0.15	产品料号 PRODUCT P/N	F05047-***P-21
审核 CHECKED	Aaron2022.09.23	X.XXX ±0.10 ANGLES ±1°	材质 MATERIAL	/
核准 APPROVED	Aaron2022.09.23	投影方法 PROJECTION	比例 SCALE	1:1 张次 SHF. NO. 3/3