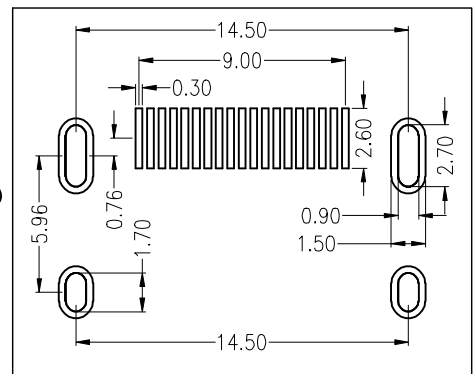
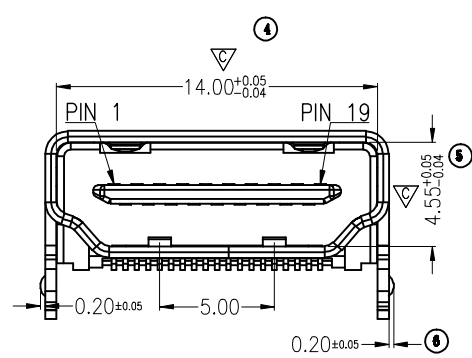
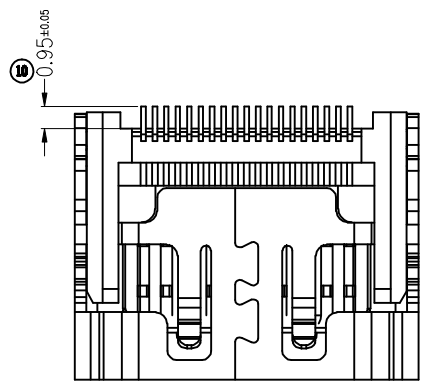
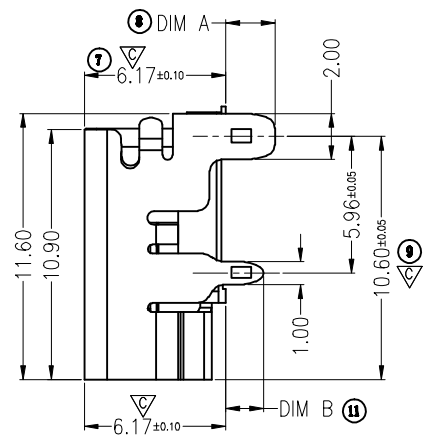
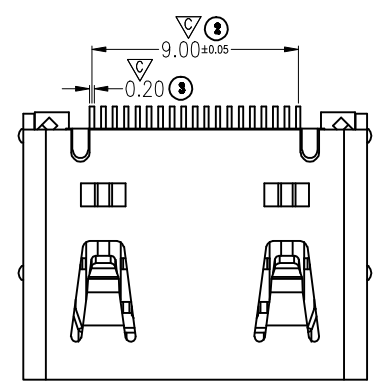
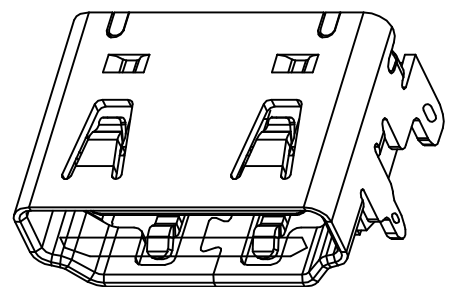
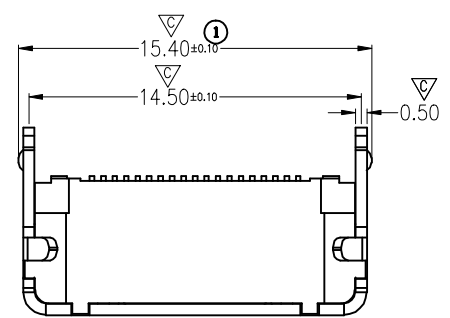


REV.	DESCRIPTION	NAME	DATE
A	NEWS ISSUE	LXH	2018/01/18



RECOMMENDED P.C.B HOLE LAYOUT
COMPONENT SIDE VIEW(TOLERANCE: +/-0.05)

说明:

1. 材质:

胶芯:LCP,UL94V-0; COLOR; BLACK

端子: C2680

外壳: SPCC

2. 电镀说明:

端子: 接触区域镀金

焊锡区域镀雾锡100 u"Min

全部区域镀底50 u" Min

外壳: 表面镀镍100 u" Min

3. 电气性能:

绝缘阻抗 (EIA-364-21) : 100 MΩ MIN.

AT 500V/DC FOR 1 MINUTE.

接触阻抗 (EIA-364-06) 30 mΩ MAX.

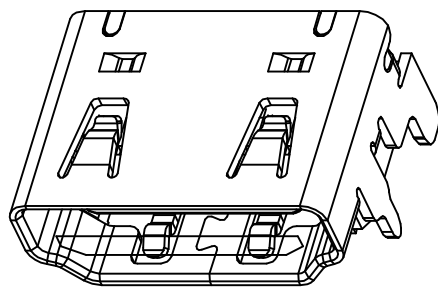
耐电压 (EIA-364-20) NO DISCHARGE,

FLASHOVER OR BREAKDOWN

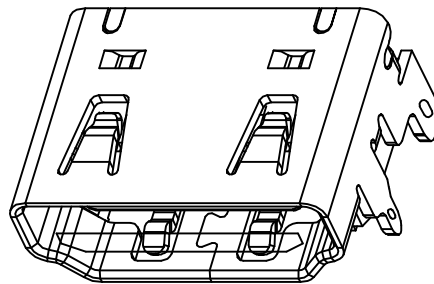
AT 500 V/AC 1MINUTE.

TOLERANCE UNSPECIFIED	
.0	±0.35
.00	±0.25
.000	±0.15
X"	±2.00"
CUSTOMER DRAWING	

DRAWN DATE	LXH	2018/01/18	SIZE:A4	UNIT:mm.	PART. NO:	HA01-N1XX-X1-1
CHECKED DATE	LCY	2018/01/18	SCALE:	1:1	PROJECTION	REV.: A
APPROVED DATE	LCY	2018/01/18	DWG	PATH	C00-0000-0024	PATH 1/3



脚无凸点



脚有凸点

4. P/N:

HA 01-N1XX- X1-1

01: 代表铁壳

N1: 代表外壳镀镍

外壳脚规格:

规格	DIM A	DIM B	外壳脚凸点
1	2.16	1.66	无凸点
2	2.16	1.66	带凸点
3	1.50	1.50	无凸点
4	2.20	2.20	无凸点
5	1.50	1.50	带凸点

L1: 代表端子半金锡0.5U"

L2: 代表端子半金锡1U"

L3: 代表端子半金锡3U"

PIN	Signal Assignment
1	TMDS Data2+
3	TMDS Data2-
5	TMDS Data1 Shield
7	TMDS Data0+
9	TMDS Data0-
11	TMDS Clock Shield
13	CEC
15	SCL
17	DDC/CEC Ground
19	Hot Plug Detect

PIN	Signal Assignment
2	TMDS Data2 Shield
4	TMDS Data1+
6	TMDS Data1-
8	TMDS Data0 Shield
10	TMDS Clock+
12	TMDS Clock-
14	Utility
16	SDA
18	+5V Power

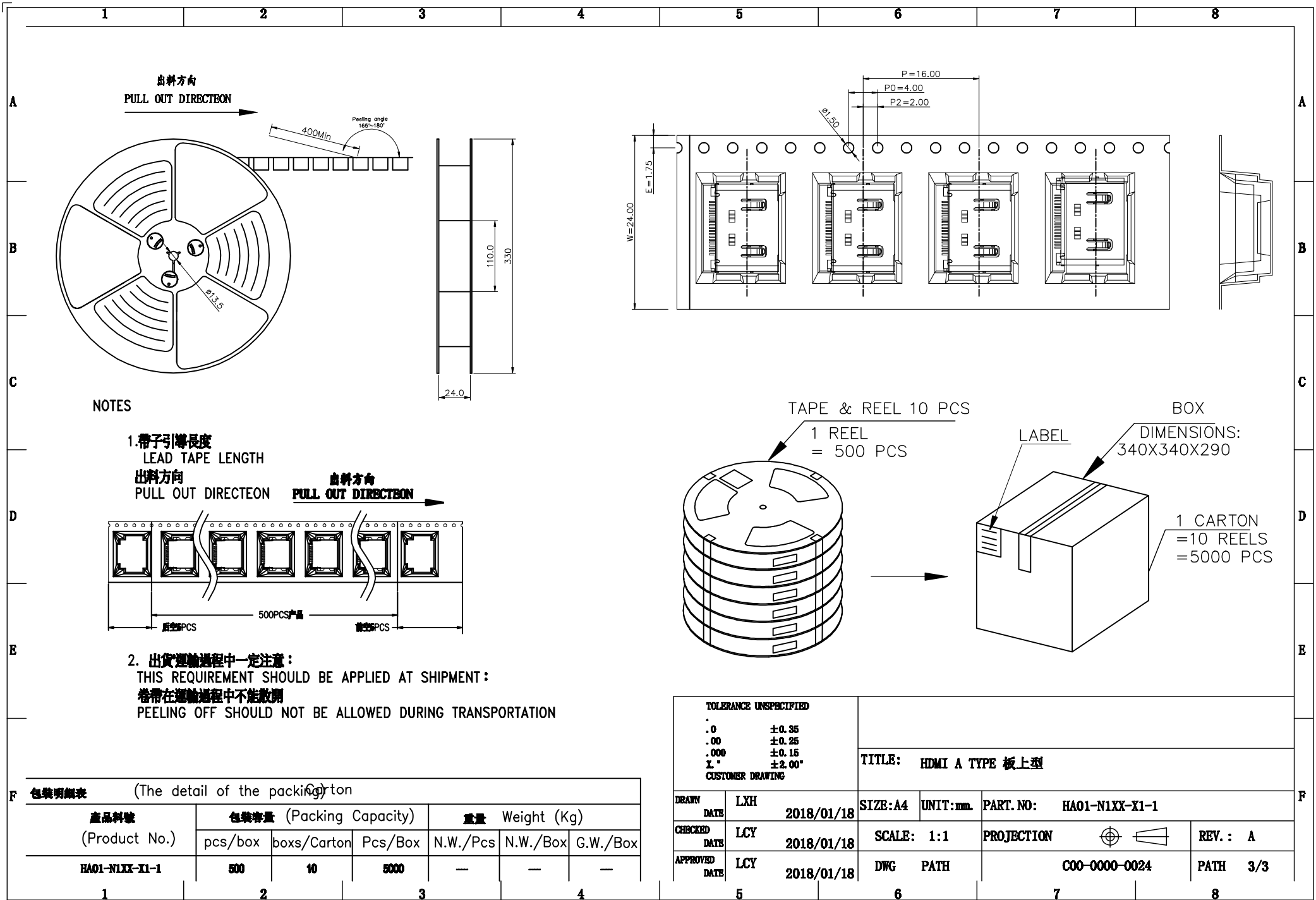
TOLERANCE UNSPECIFIED

.0	±0.35
.00	±0.25
.000	±0.15
1"	±2.00"

CUSTOMER DRAWING

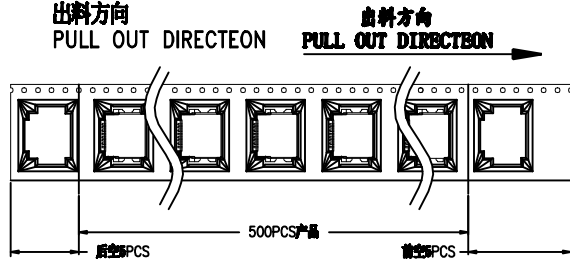
TITLE: HDMI A TYPE 板上型

DRAWN DATE	LXH	2018/01/18	SIZE:A4	UNIT:mm.	PART. NO:	HA01-N1XX-X1-1
CHECKED DATE	LCY	2018/01/18	SCALE: 1:1	PROJECTION	REV.:	A
APPROVED DATE	LCY	2018/01/18	DWG PATH	C00-0000-0024		PATH 2/3



NOTES

1. 帶子引導長度
LEAD TAPE LENGTH
出料方向
PULL OUT DIRECTEON



2. 出貨運輸過程中一定注意：
THIS REQUIREMENT SHOULD BE APPLIED AT SHIPMENT：
卷帶在運輸過程中不能散開
PEELING OFF SHOULD NOT BE ALLOWED DURING TRANSPORTATION

F 包裝明細表 (The detail of the packing)

產品料號 (Product No.)	包裝容量 (Packing Capacity)			重量 Weight (Kg)		
	pcs/box	boxes/Carton	Pcs/Box	N.W./Pcs	N.W./Box	G.W./Box
HA01-N1XX-X1-1	500	10	5000	—	—	—

TOLERANCE UNSPECIFIED		TITLE: HDMI A TYPE 板上型					
.0	±0.35	SIZE:A4	UNIT:mm.	PART. NO: HA01-N1XX-X1-1			F
.00	±0.25	CHECKED DATE	LCY	2018/01/18	SCALE: 1:1	PROJECTION	REV.: A
.000	±0.15	APPROVED DATE	LCY	2018/01/18	DWG PATH	C00-0000-0024	PATH 3/3
1."	±2.00"	CUSTOMER DRAWING					