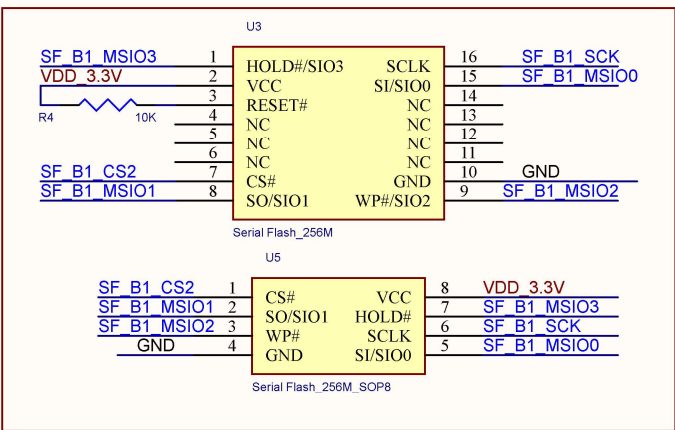
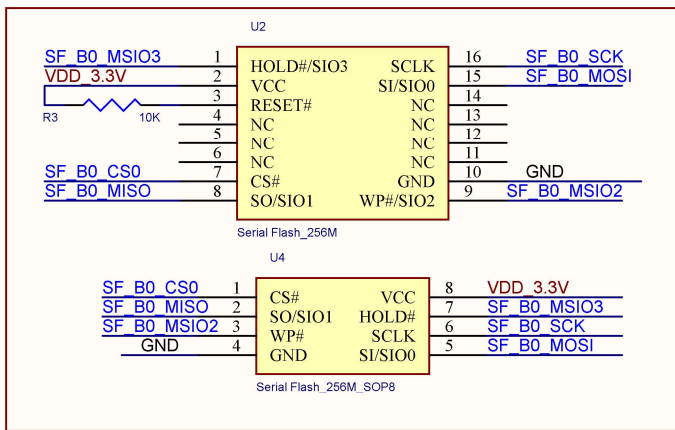
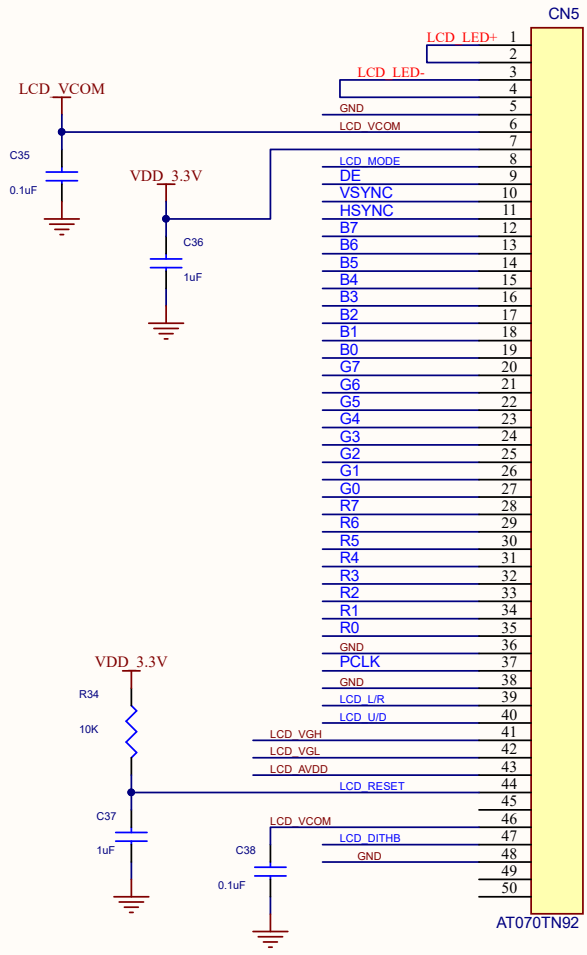
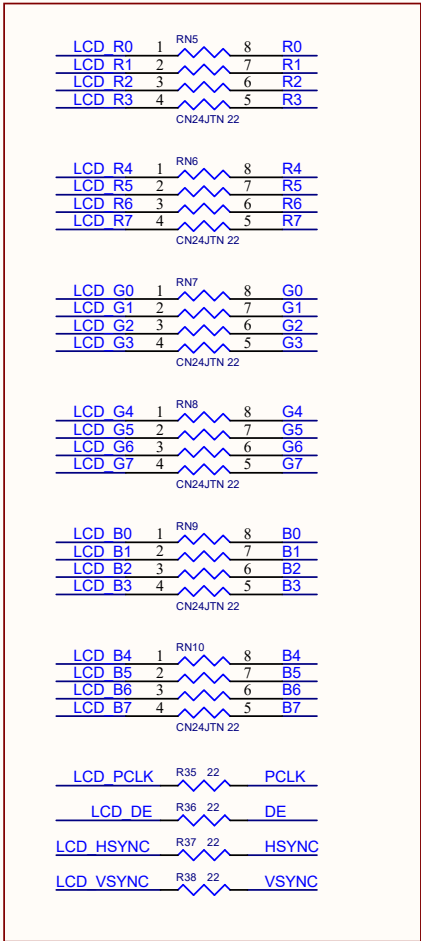
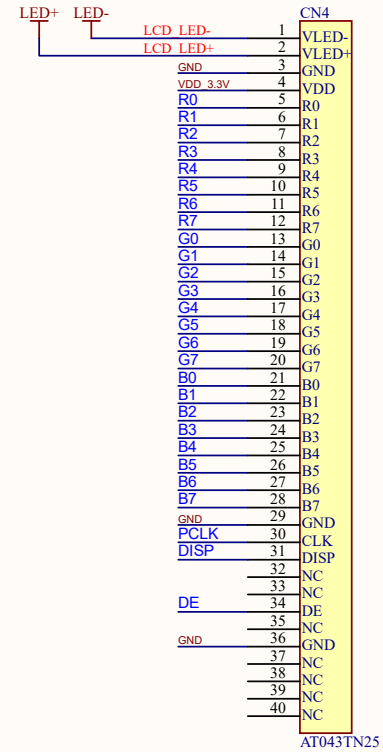
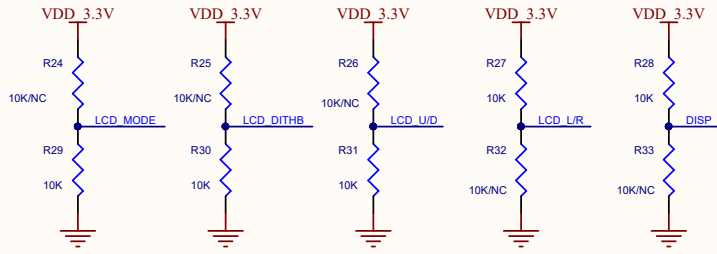


[PS.2:0]
 00x : 8080
 01x : 6800
 100 : 3-wire
 101 : 4-wire
 11x : I2C
 [TEST1]
 1 : BUS floating
 0 : Normal



RT8889CN001		
Size	Document Number	Rev
A	02_RT8889CN001_FLASH	1.1
Date:	Sheet	3 of 5



RT8889CN001		
Size	Document Number	Rev
A	04_RT8889CN001_LCD	1.1
Date:	Sheet	5 of 5