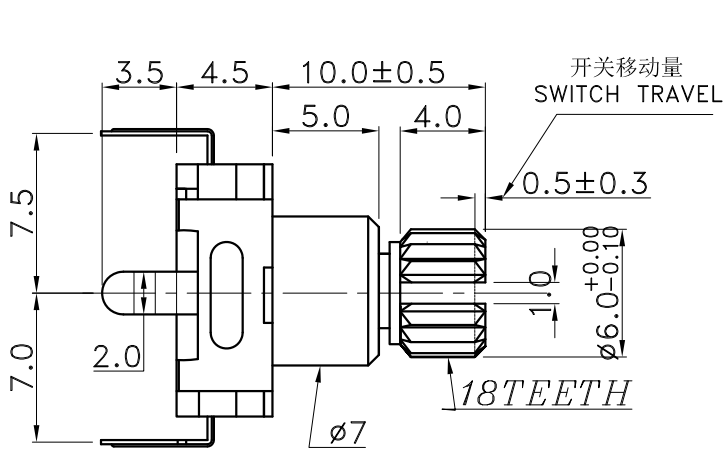
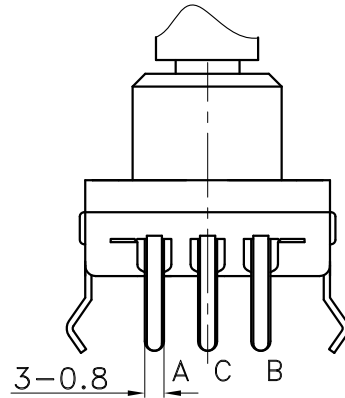
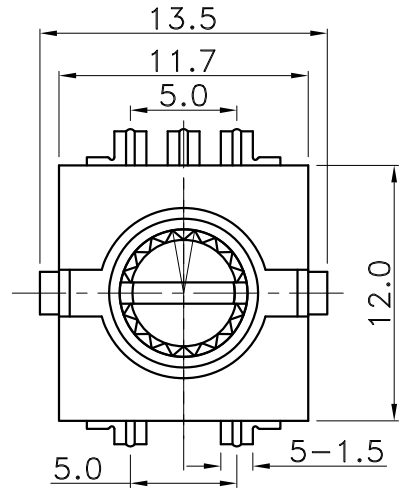


外形圖 MECHANICAL DIMENSIONS



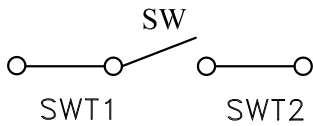
	NO.	C.C	Pulse
✓	201	20	20
	302	30	15



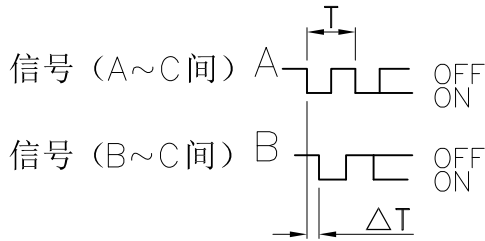
安裝孔位圖

Mounting Hole

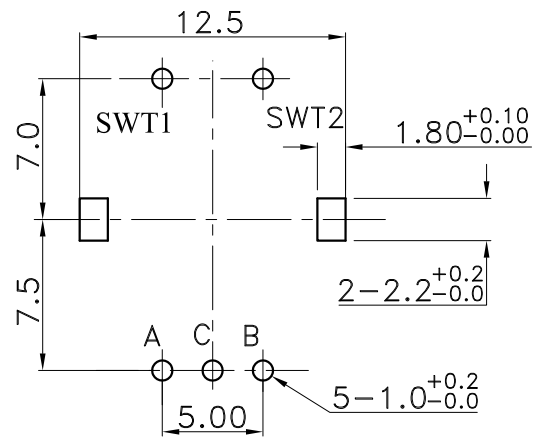
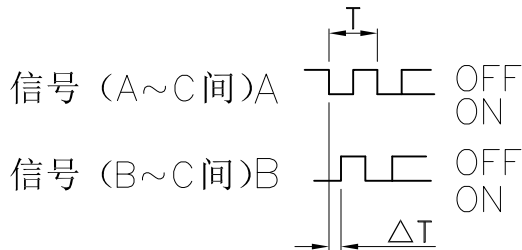
接線圖 Circuit Explanation



顺时针方向



逆时针方向



品贊電子

TOLL UNLESS OTHERWISE STATED
 LESS THAN 10 ±0.3
 ABOVE 10 LESS THAN 30 ±0.5
 ABOVE 30 ±1.0
 ANGLE ±5°

PRODUCT NO. ES110A-1V-10K-201-000

PC NO.

DRAW NO.

END-DG

UNIT

MM

PROJECTION

DEVISION REVISION NOTE

DATE

DE. BY

CH. BY

AP. BY

A/0 新版發行

10.09.06

Z .G .W

ENCODERS

編碼器

