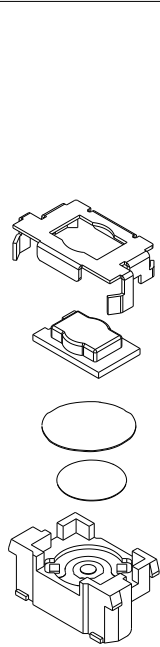


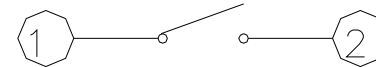
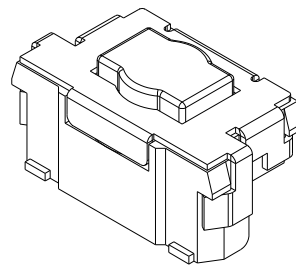
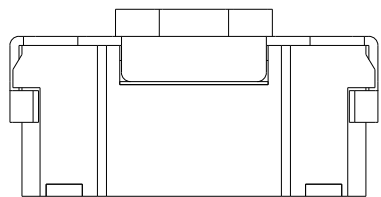
RoHS

CAD GENERATED DRAWING. DON'T CHANGE BY HAND.

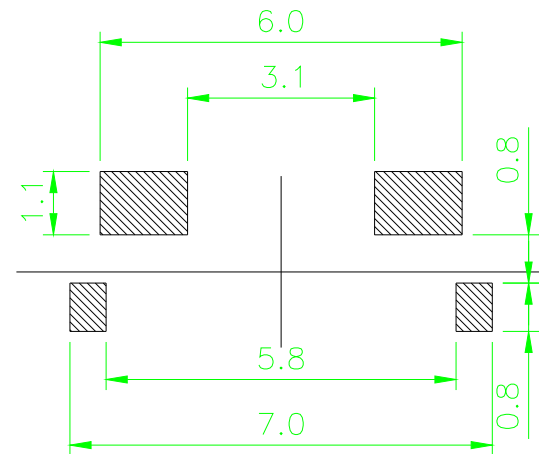
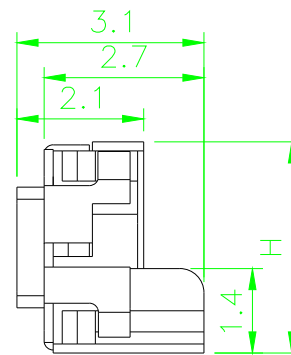
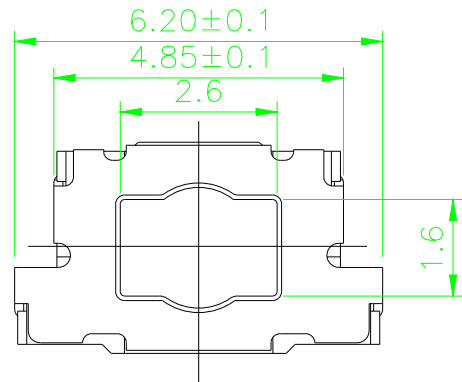
REV.	ECN. NO.	APPD.



← 6
← 5
← 4
← 3
← 2
← 1



CIRCUIT DIAGRAM



PCB. WELDING DRAWING

Specification

Operating Life	100,000
Contact rating	50mA@12V DC.
Insulation resistance	1011Ω min.
Contact resistance	100mΩ max. initial.
Dielectric Strength	250 V AC(1mm)
Travel	0.2±0.1mm
Storage Temperature	-30° C to 80° C

Packaging:
a reel of 2,000 pieces

E	Button	LCP	1	White
D	COVER	Phosphor copper	1	Silver
C	DOME	Stainless Steel	1	Plated Ag
B	HOUSING	LCP	1	Black
A	Cards	Phosphor copper	1	Plated Ag
ITEM	DESCRIPTION	MATERIAL	QTY	FINISH/CO LOR

Mechanical

P/N	Operatin g Force (gf)	Height mm	Button	Leads Shape (G, J, T)	Ground pin (0, 1)	Pegs Option (0, 1)		
YTS1C017	3	300±50	B	3, 5	W(White) B(Black)	J	0 (None)	0 (none)
	1	180±50	A	3, 1				

THESE DRAWINGS AND SPECIFICATIONS ARE THE PROPERTY OF YIYUAN TECHNOLOGY CO.,LTD AND SHALL NOT BE REPRODUCED, COPIED OR USED IN ANY MANNER WITHOUT THE PRIOR WRITTEN CONSENT OF YIYUAN TECHNOLOGY CO.,LTD

X. ±0.50	X.° ±2°	UNITS mm
.X ±0.30	.X° ±1°	
.XX ±0.10	.XX° ±0.5°	MAT'L
.XXX ±0.05		FINISH
		Q'TY

yiYUAN 深圳市怡远科技有限公司
SHENZHEN YIYUAN TECHNOLOGY CO., LTD

PART NO. YTS1C017 TITLE: TACTILE SWITCH 触摸开关

APPD: ROGER DWG NO.: YTS1C017

CHKD: ROC

DR: BILLY WANG 2020/08/21

SCALE SHEET REV. 1/1 1/1 A1