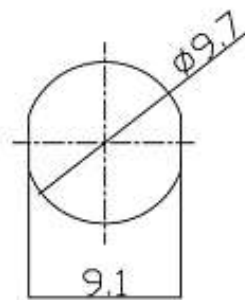
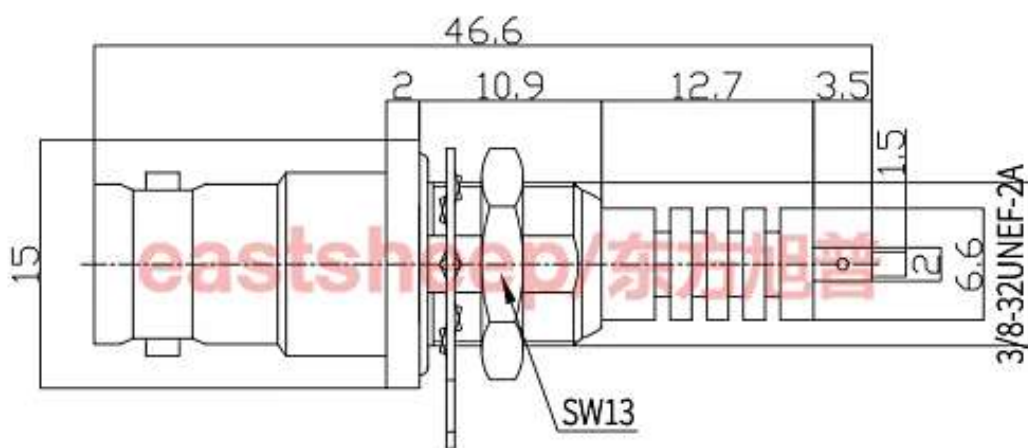


# 产品规格书

PRODUCT SPECIFICATION

产品型号 Model: SHV-JY

频率 Frequency: DC-300MHz



Recommend mounting hole  
建议安装孔

注 Note: 尺寸 Dimensions (mm)

## 产品参数 Product parameters

### 1. 电气 Electrical

1.1	阻抗 Impedance	50 $\Omega$
1.2	频率范围 Frequency range	0-300 MHz
1.3	介质耐压 Dielectric withstanding voltage	5000V rms, 50hz
1.4	内导体接触电阻 Internal conductor contact resistance	$\leq 2\text{m}\Omega$
1.5	外导体接触电阻 External conductor contact resistance	$\leq 1.5\text{m}\Omega$
1.6	绝缘电阻 Insulation resistance	$\geq 5000\text{M}\Omega$

### 2. 环境与机械 Environment and Machinery

2.1	温度范围 Temperature range	-45 $^{\circ}$ ~+125 $^{\circ}$
2.2	耐久性 Durability	500cycles

### 3. 材料和镀层 Material and Plating

3.1	内导体 Inner conductor	黄铜镀金 Brass, Gold plated
3.2	外导体 Outer conductor	黄铜镀三元合金 Brass, Ternary alloy plated
3.3	绝缘体 Insulator	聚四氟乙烯 PTFE