

Specifications

备注 (Remark)

1. 材料 (MATERIAL)

胶芯: PA9T+30%G.F UL94V-0, 颜色: 黑色.

Housing: PA9T+30%G.F UL94V-0, Color: Black

四方针: 黄铜, 镍底30u"MIN, 表面镀普金

Contact: Brass, GOLD PLATING OVER ALL

30u" MIN NICKEL UNDERPLATING OVER ALL

2. 特性 (characteristics):

额定电流: 3 AMP

Rating Current: 3 AMP.

接触阻抗: 20 mΩ MAX.

Contact Resistance: 20 mΩ MAX.

绝缘阻抗: 1000 MΩ MIN.

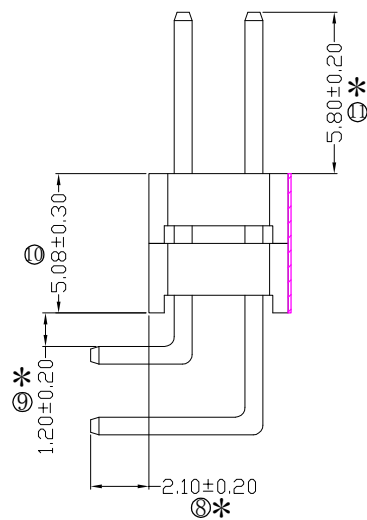
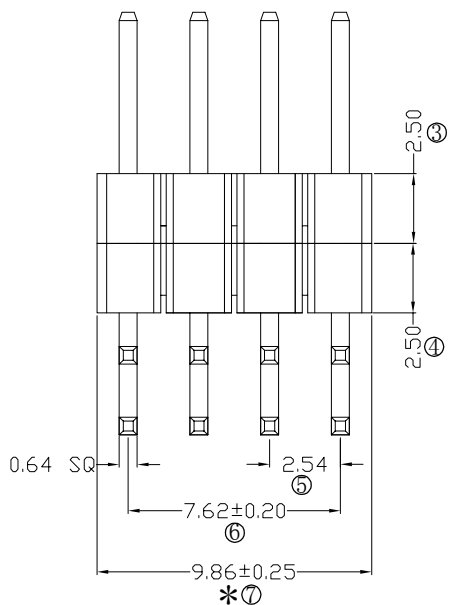
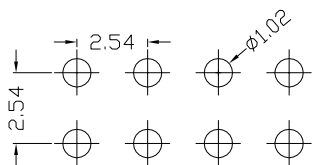
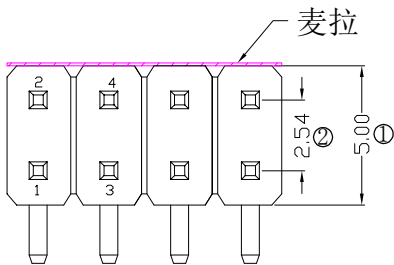
Insulating Resistance: 1000 MΩ MIN.

耐电压: AC 500V/分钟.

Withstanding Voltage: AC 500V/Minute.

温度范围: -40° C to +105° C

Temperture Range: -40° C to +105° C



Ordering Information

P125-22 04 A0 C R 155 B 1

HEIGHT OF HOUSING	NO. OF PINS PER ROW	Contact Full of Gold	Seal-gold	INSULATOR MATERIAL	LENGTH OF TERMINAL	PACKING
15: 1.5mm	2-40P	A0=0.8u"	B0=0.8u"	A: PBT		A: PE Bag
17: 1.7mm		A1=1u"	B1=1u"	B: PA6T		B: Tape & Reel
20: 2.0mm		A2=1.5u"	B2=1.5u"	C: PA9T		C: Tube
25: 2.54mm		A3=2u"	B3=2u"	D: LCP		D: Tube+CAP
30: 3.0mm		A4=3u"	B4=3u"			E: Tray
		A5=5u"	B5=5u"			
		A6=10u"	B6=10u"			
		A7=15u"	B7=15u"			
		A8=20u"	B8=20u"			
		A9=30u"	B9=30u"			
		S1=Orinary Tin Plated				
		S2=Matte Tin Plated				
		S3=Tin-plated High-temperature				

RoHS COMPLIANT

客编:

注意事项

1. 带*为品质重点检验尺寸

			OPERATION	SCALE	Fit	Yxcon 东莞市宇熙精密连接器有限公司			
			X.X ±0.25	UNIT	MM	www.yxcon.com Dongguan Yuxi Electronic Co.,Ltd.			
			X.XX ±0.20	SIZE	A4	DESIGN	李官森2021.12.22	PART NO	P125-2204A0CR155B1
A0	2021.12.22	/	X.XXX ±0.10	SHEET	1/1	CHECK		TITLE:	2.54排针 2*4P*2 L=15.5/2.1(1.2)/5.8/20.5 90度 弯凹面 H=5.0 PA9T料 镀普金 麦拉+450/卷
REV	DATE	SYMBOL	Angle ±3°	PROJ.	Φ	APPROVE		Customer No.	
			DIM TOL						