

# Specifications

备注 (Remark)

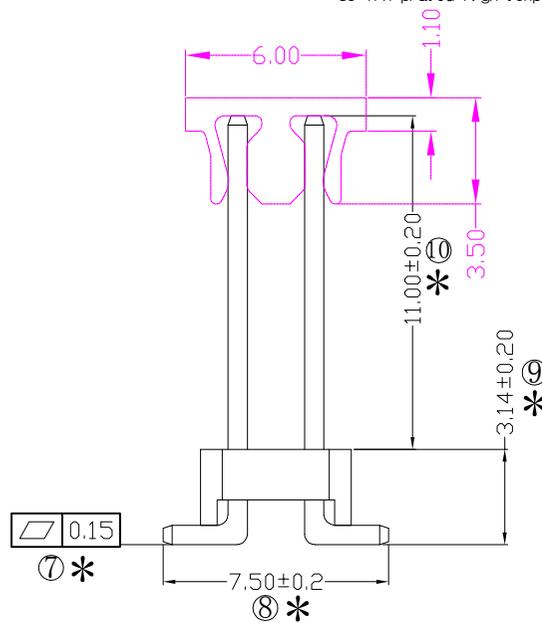
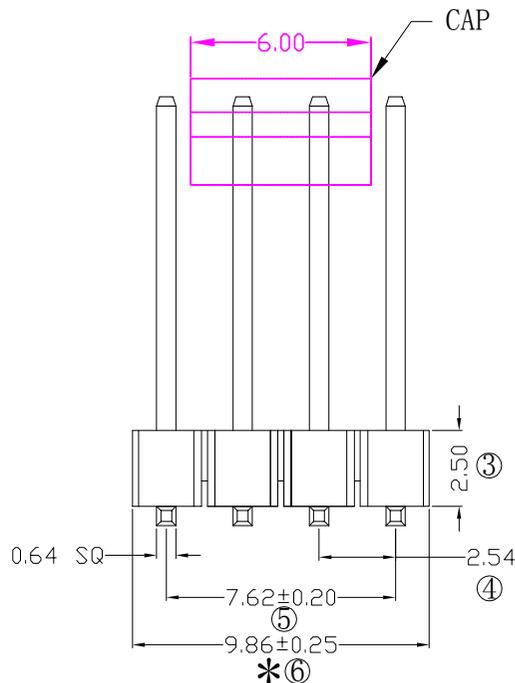
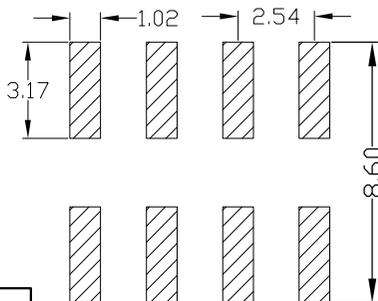
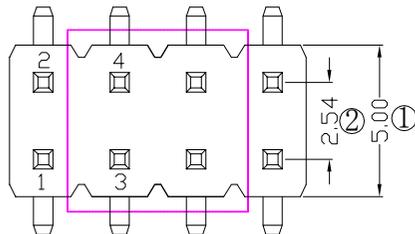
1. 材料 (MATERIAL)

胶芯: PA9T+30%G.F UL94V-0, 颜色: 黑色.  
 Housing: PA9T+30%G.F UL94V-0, Color: Black  
 四方针: 黄铜, 镍底30u~MIN, 表面镀普金  
 Contact: Brass, GOLD PLATING OVER ALL

30u" MIN NICKEL UNDERPLATING OVER ALL

2. 特性 (characteristics):

额定电流: 3 AMP  
 Rating Current: 3 AMP.  
 接触阻抗: 20 mΩ MAX.  
 Contact Resistance: 20 mΩ MAX.  
 绝缘阻抗: 1000 MΩ MIN.  
 Insulating Resistance: 1000 MΩ MIN.  
 耐电压: AC 500V/分钟.  
 Withstanding Voltage: AC 500V/Minute.  
 温度范围: -40° C to +105° C  
 Temperature Range: -40° C to +105° C



# Ordering Information

P125-12 04 A0 C M 160 B 1

HEIGHT OF HOUSING	NO. OF PINS PER ROW	Contact Plating Full of Gold Semi-gold	INSULATOR MATERIAL	LENGTH OF TERMINAL	PACKING
15: 1.5mm	2-40P	A0=0.8u" A1=1u" A2=1.5u" A3=2u" A4=3u" A5=5u" A6=10u" A7=15u" A8=20u" A9=30u"	B: PA6T C: PA9T D: LCP		A: PE Bag B: Tape & Reel C: Tube D: Tube+CAP E: Tray
17: 1.7mm		B0=0.8u" B1=1u" B2=1.5u" B3=2u" B4=3u" B5=5u" B6=10u" B7=15u" B8=20u" B9=30u"			
20: 2.0mm					
25: 2.54mm					
30: 3.0mm					
		S1=Quinary Tin Plated S2=Matte Tin Plated S3=Tin-plated High-temperature			

RoHS COMPLIANT

客编:

注意事项

1. 带\*为品质重点检验尺寸

			OPERATION	SCALE	Fit	Yxcon 东莞市宇熙精密连接器有限公司			
			X.X ±0.25	UNIT	MM	Dongguan Yuxi Electronic Co., Ltd.			
			X.XX ±0.20	SIZE	A4	DESIGN	李官森 2022.03.08	PART NO.	P125-1204A0CM160B1
			X.XXX ±0.10	SHEET	1/1	CHECK		TITLE:	PH2.54 2*4P L=16.0/7.5(0)/11.0 SMT
REV	DATE	SYMBOL	MODIFICATION DESCRIPTION	ANGLE ±3°	PROJ.	APPROVE		Customer No.	PA9T料 镀普金 CAP+250/卷
			DIM TOL						
A0	2022.03.08	/	新版发行						