

Specifications

备注 (Remark)

1. 材料 (MATERIAL)

胶芯: PA9T+30%G.F UL94V-0, 颜色: 黑色.

Housing: PA9T+30%G.F UL94V-0, Color: Black

四方针: 黄铜, 镍底30u"MIN, 表面镀普金

Contact: Brass, GOLD PLATING OVER ALL
30u" MIN NICKEL UNDERPLATING OVER ALL

2. 特性 (characteristics):

额定电流: 3 AMP

Rating Current: 3 AMP.

接触阻抗: 20 mΩ MAX.

Contact Resistance: 20 mΩ MAX.

绝缘阻抗: 1000 MΩ MIN.

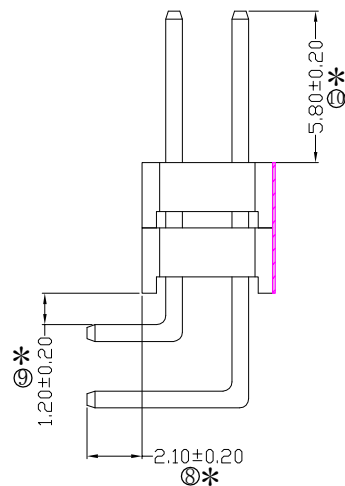
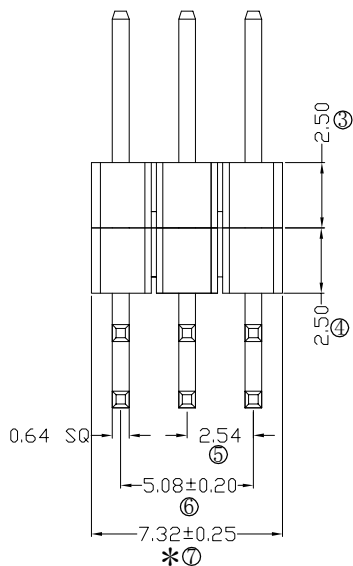
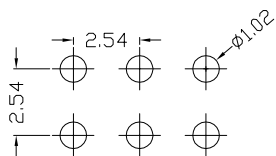
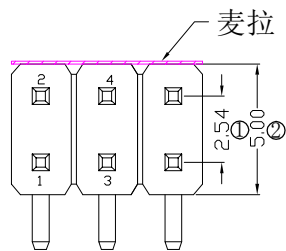
Insulating Resistance: 1000 MΩ MIN.

耐电压: AC 500V/分钟.

Withstanding Voltage: AC 500V/Minute.

温度范围: -40° C to +105° C

Temperture Range: -40° C to +105° C



Ordering Information

P125-22 03 A0 C R 155 B 1

HEIGHT OF HOUSING	NO. OF PINS PER ROW	Contact Plating	INSULATOR MATERIAL	LENGTH OF TERMINAL	PACKING
15: 1.5mm	2-40P	Full Gold	A: PBT	A: PE Bag	A: PE Bag
17: 1.7mm		Semi-gold	B: PA6T	B: Tape & Reel	B: Tape & Reel
20: 2.0mm			C: PA6T	C: Tube	C: Tube
25: 2.5mm			D: LCP	D: Tube+CAP	D: Tube+CAP
30: 3.0mm				E: Tray	E: Tray

RoHS COMPLIANT

客编:
1. 带*为品质重点检验尺寸

注意事项

			OPERATION	SCALE	Fit	Yxcon 东莞市宇熙精密连接器有限公司			
			X.X ±0.25	UNIT	MM	www.yxcon.com Dongguan Yuxi Electronic Co.,Ltd.			
			X.XX ±0.20	SIZE	A4	DESIGN	李官森2021.12.17	PART NO.	P125-2203A0CR155B1
A0	2021.12.17	/	X.XXX ±0.10	SHEET	1/1	CHECK		TITLE:	2.54排针 2*3P*2 L=15.5/2.1(1.2)/5.8/20.5 90度 PA9T料 镀普金 麦拉+450/卷
REV	DATE	SYMBOL	ANGLE ±3°	PROJ.	APPROVE			Customer No.	
			DI M TOL						