

Specifications

备注(Remark)

1. 材料 (MATERIAL)

胶芯: PA9T+30%G.F UL94V-0, 颜色: 黑色.

Housing: PA9T+30%G.F UL94V-0, Color: Black

四方针: 黄铜, 镍底30u"MIN, 表面镀高温亮锡

Contact: Brass, BRIGHT TIN-PLATED HIGH-TEMPERATURE OVER ALL
30u" MIN NICKEL UNDERPLATING OVER ALL

2. 特性 (characteristics):

额定电流: 2 AMP

Rating Current: 2 AMP.

接触阻抗: 20 mΩ MAX.

Contact Resistance: 20 mΩ MAX.

绝缘阻抗: 1000 MΩ MIN.

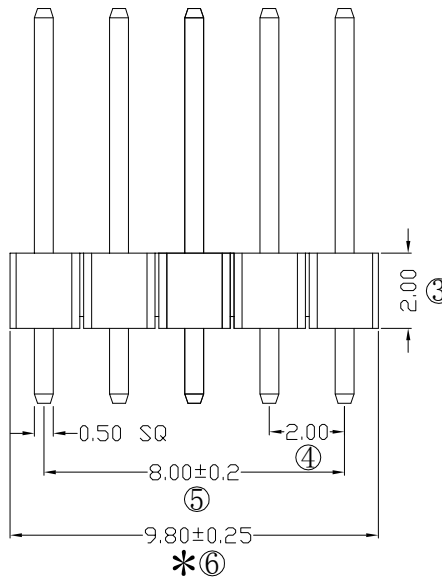
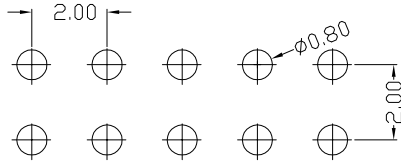
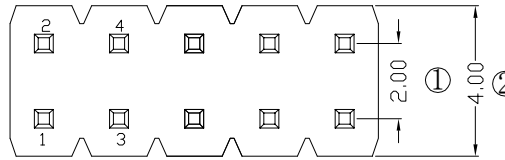
Insulating Resistance: 1000 MΩ MIN.

耐电压: AC 500V/分钟.

Withstanding Voltage: AC 500V/Minute.

温度范围: -40° C to +105° C

Temperature Range: -40° C to +105° C



Ordering Information

P220-12 05 S3 C S 105 A 1

| HEIGHT OF HOUSING | NO. OF PINS PER ROW | Full of Gold | Contact Plating | INSULATOR MATERIAL | LENGTH OF TERMINAL | PACKING |
|-------------------|---------------------|--------------------------------|-----------------|--------------------|--------------------|----------------|
| 10: 1.0mm | 2-40P | A0=0.8u" | EO=0.8u" | B: PA6T | | A: PE Bag |
| 15: 1.5mm | | A1=1u" | B1=1u" | C: PA9T | | B: Tape & Reel |
| 20: 2.0mm | | A2=1.5u" | B2=1.5u" | D: LCP | | C: Tube |
| | | A3=2u" | B3=2u" | | | D: Tube+CAP |
| | | A4=3u" | B4=3u" | | | E: Tray |
| | | A5=5u" | B5=5u" | | | |
| | | A6=10u" | B6=10u" | | | |
| | | A7=15u" | B7=15u" | | | |
| | | A8=20u" | B8=20u" | | | |
| | | A9=30u" | B9=30u" | | | |
| | | S1=Ordinary Tin Plated | | | | |
| | | S2=Matte Tin Plated | | | | |
| | | S3=Tin-plated High-temperature | | | | |

RoHS COMPLIANT

客编:

注意事项

1. 带*为品质重点检验尺寸

| | | | OPERATION | SCALE | Fit | Yxcon 东莞市宇熙精密连接器有限公司 | | | | |
|-----|------------|--------|-----------|-------|-------|----------------------|-----------------------------------|---------------|--------------|--|
| | | | X.X | ±0.25 | UNIT | MM | Dongguan Yuxi Electronic Co.,Ltd. | | | |
| | | | X.XX | ±0.20 | SIZE | A4 | DESIGN | 李官淼2021.12.24 | PART NO. | P220-1205S3CS105A1 |
| A0 | 2021.12.24 | / | X.XXX | ±0.10 | SHEET | 1/1 | CHECK | | TITLE: | 2.0排针 2*5P L=10.5/2.0 180度 PA9T 镀高温亮锡 袋装 |
| REV | DATE | SYMBOL | ANGLE | ±3° | PROJ. | APPROVE | | | Customer No. | |
| | | | DI M | TOL | | | | | | |