

# Specifications

备注 (Remark)

1. 材料 (MATERIAL)

胶芯: PA6T+30%G.F UL94V-0, 颜色: 黑色.  
 Housing: PA6T+30%G.F UL94V-0, Color: Black  
 端子: 青铜, 镍底30u"MIN, 表面镀普金  
 Contact: bronze, GOLD PLATING OVER ALL  
 30u" MIN NICKEL UNDERPLATING OVER ALL

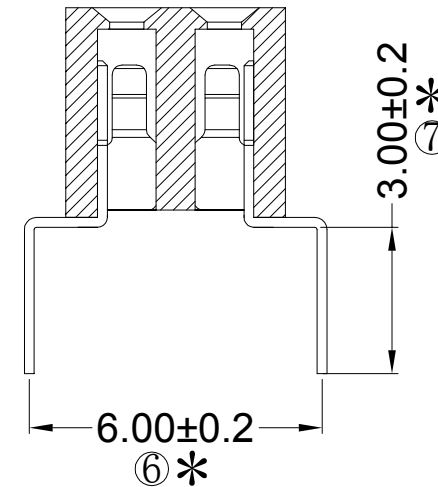
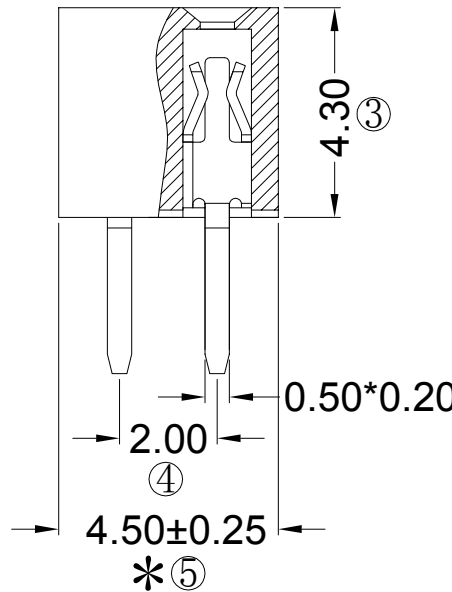
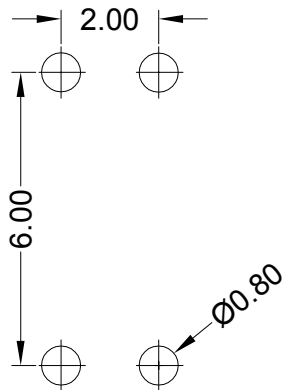
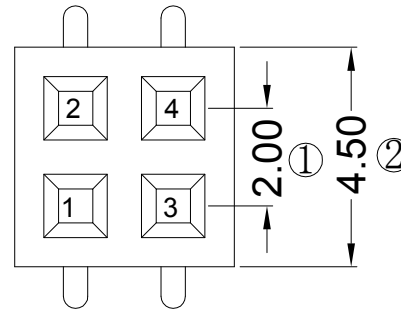
2. 特性 (characteristics):

额定电流: 2 AMP  
 Rating Current: 2 AMP.  
 接触阻抗: 20 mΩ MAX.  
 Contact Resistance: 20 mΩ MAX.  
 绝缘阻抗: 1000 MΩ MIN.  
 Insulating Resistance: 1000 MΩ MIN.  
 耐电压: AC 500V/分钟.  
 Withstanding Voltage: AC 500V/Minute.  
 温度范围: -40° C to +105° C  
 Temperature Range: -40° C to +105° C

# Ordering Information

F243-12 02 A0 B WU C 1

NO. OF PINS PER ROW	Contact Full of Gold	Plating Semi-gold	INSULATOR MATERIAL:	PACKING
2-40P	A0=0.8u" A1=1u" A2=1.5u" A3=2u" A4=3u" A5=5u" A6=10u" A7=15u" A8=20u" A9=30u"	B0=0.8U" B1=1U" B2=1.5U" B3=2U" B4=3U" B5=5U" B6=10U" B7=15U" B8=20U" B9=30U"	B: PA6T C: PA9T D: LCP	A: PE Bag B: Tape & Reel C: Tube D: Tube+CAP E: Tray
	S1=Ordinary Tin Plated S2=Matte Tin Plated S3=Tin-plated High-temperature			



RoHS COMPLIANT

客编:

1. 带\*为品质重点检验尺寸

注意事项

			OPERATION	SCALE	Fit	东莞市宇熙精密连接器有限公司 www.yxcon.com Dongguan Yuxi Electronic Co., Ltd.				
			X.X ±0.25	UNIT	MM					
A1	2022.08.05		更新图面	X.XX ±0.20	SIZE	A4	DESIGN	李官森2022.08.05	PART NO	F243-1202A0BWUC1
A0	2021.05.07	/	新版发行	X.XXX ±0.10	SHEET	1/1	CHECK		TITLE	FH2.0*4.3 2*2P 蜈蚣脚 脚距6.0 塑宽=4.5 DIP:3.2 PA6T料 镀普金 126个/管装15根一扎
REV	DATE	SYMBOL	MODIFICATION DESCRIPTION	Angle ±3°	PROJ.		APPROVE		Customer No.	
				DIM TOL						