

Specifications

备注 (Remark)

1. 材料 (MATERIAL)

胶芯: PA9T+30%G.F UL94V-0, 颜色: 黑色.

Housing: PA9T+30%G.F UL94V-0, Color: Black

端子: 青铜, 镍底30u"MIN, 表面镀高温亮锡

Contact: Bronze, BRIGHT TIN-PLATED HIGH-TEMPERATURE OVER ALL
30u" MIN NICKEL UNDERPLATING OVER ALL

2. 特性 (characteristics):

额定电流: 3 AMP

Rating Current: 3 AMP.

接触阻抗: 20 mΩ MAX.

Contact Resistance: 20 mΩ MAX.

绝缘阻抗: 1000 MΩ MIN.

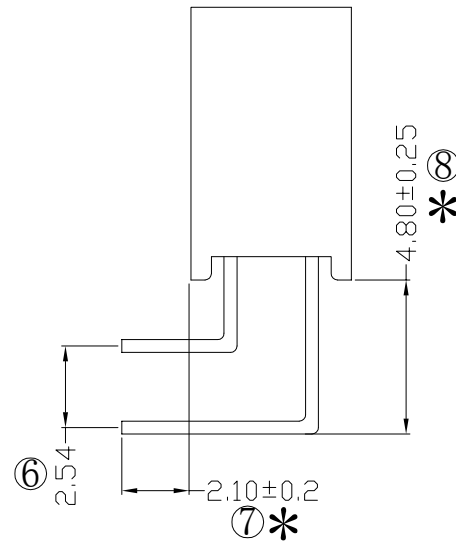
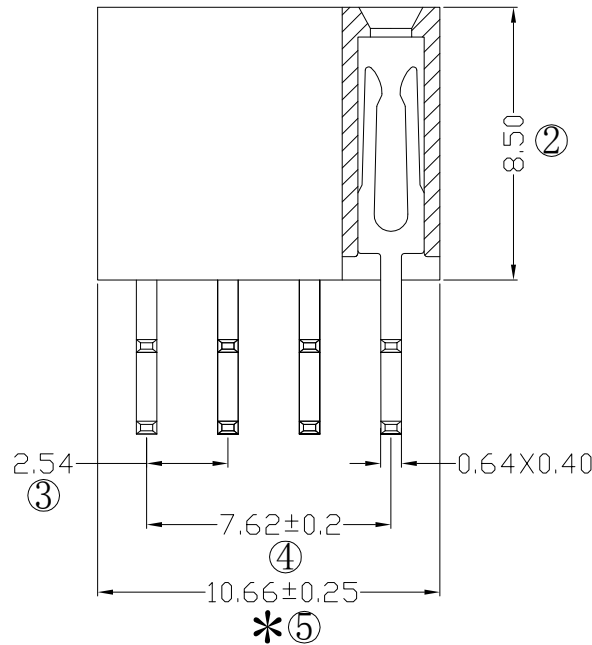
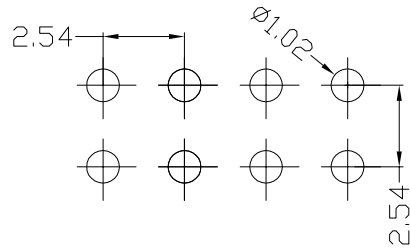
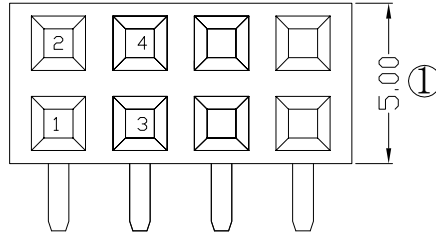
Insulating Resistance: 1000 MΩ MIN.

耐电压: AC 500V/分钟.

Withstanding Voltage: AC 500V/Minute.

温度范围: -40° C to +105° C

Temperature Range: -40° C to +105° C



Ordering Information

F185-12 04 S3 C RY B 1

NO. OF PINS PER ROW	Contact Full of Gold	Plating Semi-gold	INSULATOR MATERIAL:	PACKING
2-40P	A0=0.8u" A1=1u" A2=1.5u" A3=2u" A4=3u" A5=5u" A6=10u" A7=15u" A8=20u" A9=30u"	B0=0.8U" B1=1U" B2=1.5U" B3=2U" B4=3U" B5=5U" B6=10U" B7=15U" B8=20U" B9=30U"	A: PBT B: PA6T C: PA9T D: LCP	A: PE Bag B: Tape & Reel C: Tube D: Tube+CAP E: Tray
	S1=Ordinary Tin Plated S2=Matte Tin Plated S3=Tin-plated High-temperature			

RoHS
COMPLIANT

客编:

注意事项

1. 带*为品质重点检验尺寸

			OPERATION	SCALE	Fit	Yxcon 东莞市宇熙精密连接器有限公司			
			X.X ±0.25	UNIT	MM	www.yxcon.com Dongguan Yuxi Electronic Co., Ltd.			
			X.XX ±0.20	SIZE	A4	DESIGN	刘伟 2021.03.25	PART NO.	F185-1204S3CRYB1
A0	2021.03.25	/	X.XXX ±0.10	SHEET	1/1	CHECK		TITLE:	FH2.54*8.5 2*4P 90度 内径1.8 DIP:2.1 PA9T料 镀高温亮锡 400PCS/卷
REV	DATE	SYMBOL	Angle ±3°	PROJ.	☉	APPROVE		Customer No.	
			DIM TOL						