

# Specifications

备注 (Remark)

## 1. 材料 (MATERIAL)

胶芯: PA9T+30%G. F UL94V-0, 颜色: 黑色.

Housing: PA9T+30%G. F UL94V-0, Color: Black

端子: 青铜, 镍底30u"MIN, 表面镀普金

Contact: Bronze, GOLD PLATING OVER ALL  
30u" MIN NICKEL UNDERPLATING OVER ALL

## 2. 特性 (characteristics):

额定电流: 3 AMP

Rating Current: 3 AMP.

接触阻抗: 20 mΩ MAX.

Contact Resistance: 20 mΩ MAX.

绝缘阻抗: 1000 MΩ MIN.

Insulating Resistance: 1000 MΩ MIN.

耐电压: AC 500V/分钟.

Withstanding Voltage: AC 500V/Minute.

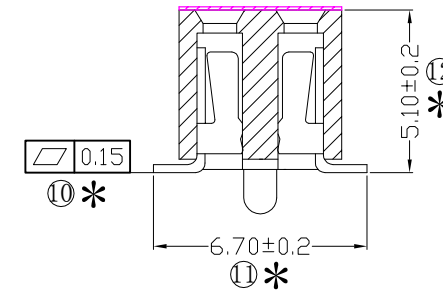
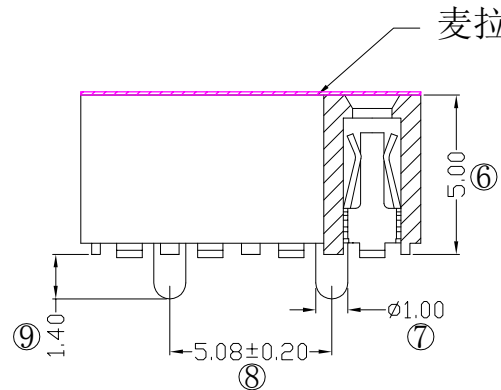
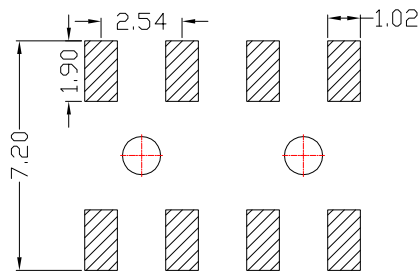
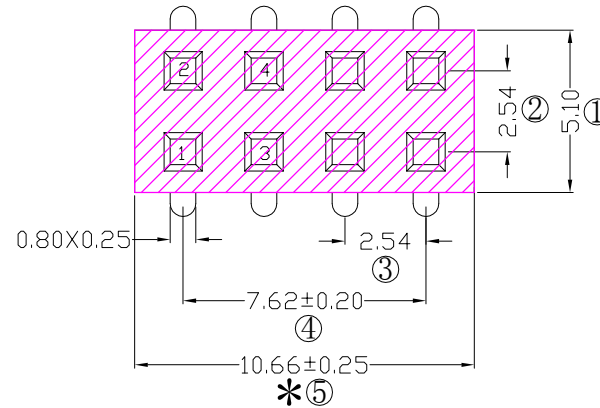
温度范围: -40° C to +105° C

Temperture Range: -40° C to +105° C

# Ordering Information

F150-12 04 A0 C MU B 3

NO. OF PINS PER ROW 2-40P	Contact Full of Gold A0=0.8u" A1=1u" A2=1.5u" A3=2u" A4=3u" A5=5u" A6=10u" A7=15u" A8=20u" A9=30u"	Plating Semi-gold B0=0.8U" B1=1U" B2=1.5U" B3=2U" B4=3U" B5=5U" B6=10U" B7=15U" B8=20U" B9=30U"	INSULATOR MATERIAL: B: PA6T C: PA9T D: LCP	PACKING A: PE Bag B: Tape & Reel C: Tube D: Tube+CAP E: Tray
	S1=Ordinary Tin Plated S2=Matte Tin Plated S3=Tin-plated High-temperature			



RoHS  
COMPLIANT

客编:

注  
意  
事  
项

1. 带\*为品质重点检验尺寸

			OPERATION	SCALE	Fit	东莞市宇熙精密连接器有限公司 www.yxcon.com Dongguan Yuxi Electronic Co., Ltd.			
			X.X ±0.25	UNIT	MM				
			X.XX ±0.20	SI ZE	A4	DESIGN	刘伟 2021.04.26	PART NO	F150-1204A0CMUB3
			X.XXX ±0.10	SHEET	1/1	CHECK		TITLE:	PH2.54*5.0mm 2*4P SMT; 6.7 U型 脚距0.8*0.25 塑宽5.1
A0	2021.04.26	/	新版发行	Angle	±3°	APPROVE		Customer No.	PA9T 镀普金 带柱 麦拉+800PCS/卷
REV	DATE	SYMBOL	MODIFICATION DESCRIPTION	DIM	TOL	PRQJ.			