

Specifications

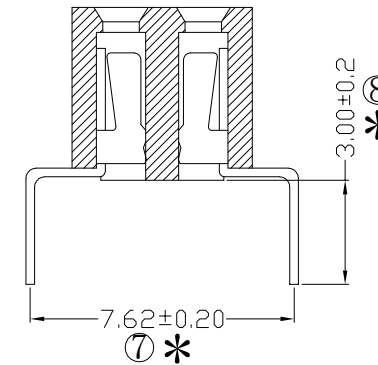
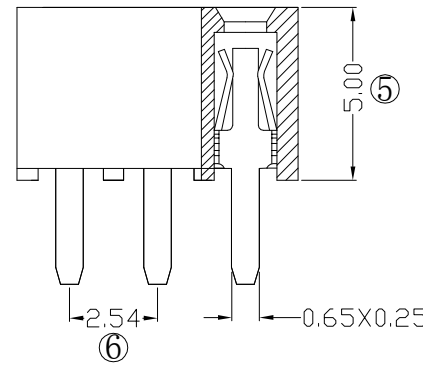
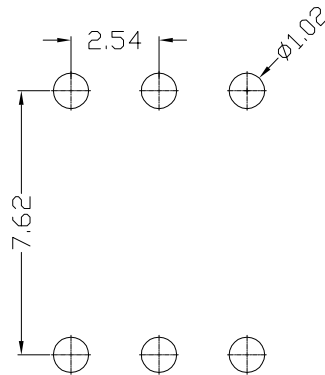
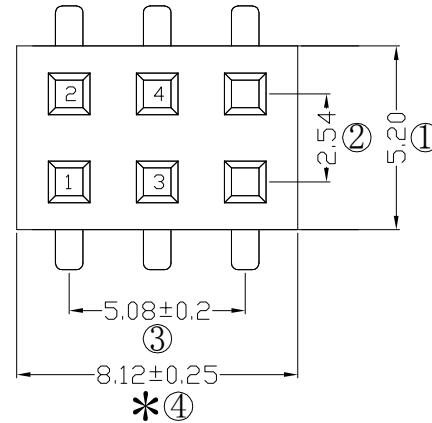
备注 (Remark)
 1. 材料 (MATERIAL)
 胶芯: PA6T+30%G.F UL94V-0, 颜色: 黑色.
 Housing: PA6T+30%G.F UL94V-0, Color: Black
 端子: 青铜, 镍底30u"MIN, 表面镀普金
 Contact: bronze, GOLD PLATING OVER ALL
 30u" MIN NICKEL UNDERPLATING OVER ALL

2. 特性 (characteristics):
 额定电流: 3 AMP
 Rating Current: 3 AMP.
 接触阻抗: 20 mΩ MAX.
 Contact Resistance: 20 mΩ MAX.
 绝缘阻抗: 1000 MΩ MIN.
 Insulating Resistance: 1000 MΩ MIN.
 耐电压: AC 500V/分钟.
 Withstanding Voltage: AC 500V/Minute.
 温度范围: -40° C to +105° C
 Temperature Range: -40° C to +105° C

Ordering Information

F150-12 03 A0 B WU C 1

NO. OF PINS PER ROW	Contact Full of Gold	Plating Semi-gold	INSULATOR MATERIAL:	PACKING
2-40P	A0=0.8u" A1=1u" A2=1.5u" A3=2u" A4=3u" A5=5u" A6=10u" A7=15u" A8=20u" A9=30u"	B0=0.8U" B1=1U" B2=1.5U" B3=2U" B4=3U" B5=5U" B6=10U" B7=15U" B8=20U" B9=30U"	B: PA6T C: PA9T D: LCP	A: PE Bag B: Tape & Reel C: Tube D: Tube+CAP E: Tray
	S1=Ordinary Tin Plated S2=Matte Tin Plated S3=Tin-plated High-temperature			



RoHS
COMPLIANT

客编:
 1. 带*为品质重点检验尺寸

注
意
事
项

			OPERATION	SCALE	Fit	东莞市宇熙精密连接器有限公司 www.yxcon.com Dongguan Yuxi Electronic Co., Ltd.			
			X.X ±0.25	UNIT	MM				
			X.XX ±0.20	SIZE	A4	DESIGN	刘伟 2021.05.04	PART NO.	F150-1203A0BWUC1
A0	2021.05.04	/	新版发行	SHEET	1/1	CHECK		TITLE:	2.54排母5.0mm塑高 2*3P 蜈蚣脚7.62mm U型 塑宽=5.2mm PA6T/镀普金 DIP:3.0 75/PCS管15/PCS一扎
REV	DATE	SYMBOL	MODIFICATION DESCRIPTION	ANGLE	±3°	PROJ.	APPROVE	Customer No.	
				DIM	TOL				