

# Specifications

备注 (Remark)

## 1. 材料 (MATERIAL)

胶芯: PA9T+30%G.F UL94V-0, 颜色: 黑色.

Housing: PA9T+30%G.F UL94V-0, Color: Black

四方针: 黄铜, 镍底30u~MIN, 表面镀金0.8u~MIN

Contact: Brass, 0.8u~MIN GOLD PLATING OVER ALL  
30u~MIN NICKEL UNDERPLATING OVER ALL

## 2. 特性 (characteristics):

额定电流: 1 AMP

Rating Current: 1 AMP.

接触阻抗: 20 mΩ MAX.

Contact Resistance: 20 mΩ MAX.

绝缘阻抗: 1000 MΩ MIN.

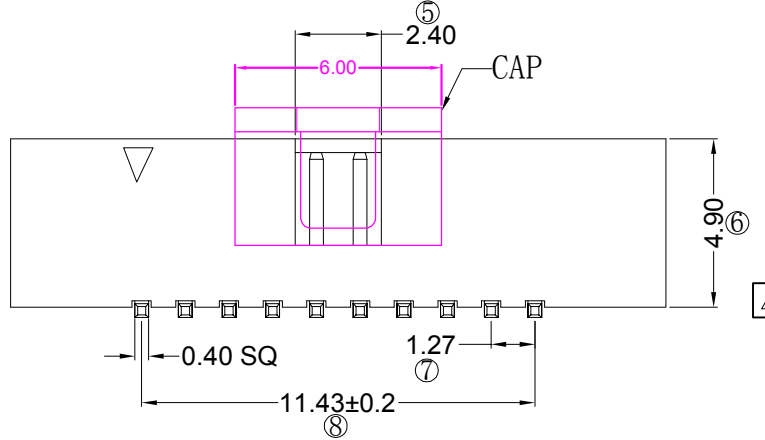
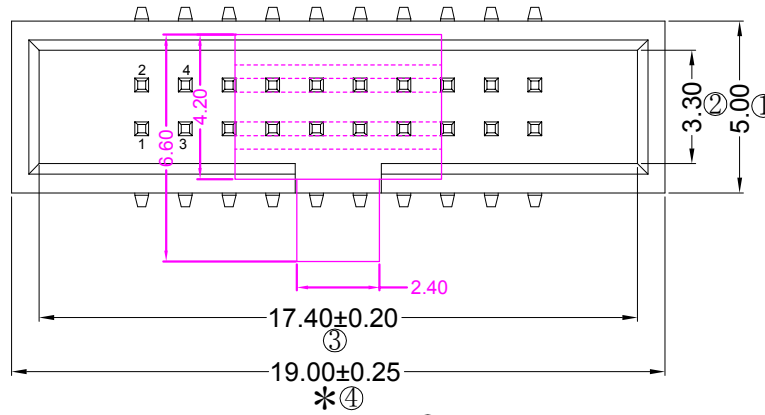
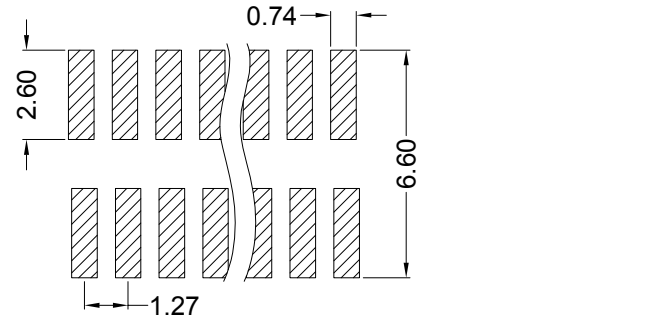
Insulating Resistance: 1000 MΩ MIN.

耐电压: AC 500V/分钟.

Withstanding Voltage: AC 500V/Minute.

温度范围: -40° C to +105° C

Temperture Range: -40° C to +105° C



# Ordering Information

B349-1 20 A0 C M B B 2

NO. OF PINS	Contact Plating	INSULATOR MATERIAL	BACK	PACKING
4-100P	Full Gold	Semi-gold	Grey427	PE Bag
A0=0.8u"	BO=0.8u"	PA6T	Grey413	Tape & Reel
A1=1u"	B1=1U"	PA9T	White	Tube
A2=1.5u"	B2=1.5U"	LCP	Blue	Tube+CAP
A3=2u"	B3=2U"			Tray
A4=3u"	B4=3U"			
A5=5u"	B5=5U"			
A6=10u"	B6=10U"			
A7=15u"	B7=15U"			
A8=20u"	B8=20U"			
A9=30u"	B9=30U"			
S1=Ordinary Tin Plated				
S2=Matte Tin Plated				
S3=Tin-plated High-temperature				

RoHS  
COMPLIANT

客编:

注意事项

- 带\*为品质重点检验尺寸
- 保持力0.4kg Min (公司标准)

			OPERATION	SCALE	Fit	Yxcon 东莞市宇熙精密连接器有限公司			
			X.X ±0.25	UNIT	MM	www.yxcon.com Dongguan Yuxi Electronic Co.,Ltd.			
			X.XX ±0.20	SIZE	A4	DESIGN	李青杰2023.04.10	PART NO.	B349-120A0CMBB2
A0	2023.04.10	/	X.XXX ±0.10	SHEET	1/1	CHECK		TITLE:	1.27*4.9 BOX 20P SMT PA9T料 镀金0.8u"
REV	DATE	SYMBOL	Angle ±3°	PRQJ.	Φ	APPROVE		Customer No.	L=6.8/5.8(0)/3.0 (配IDC) CAP+800/卷
			DIM TOL						