

SAMZO

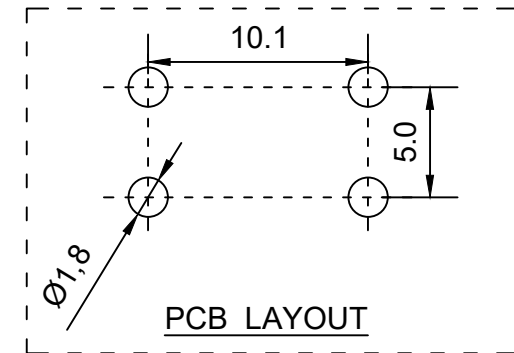
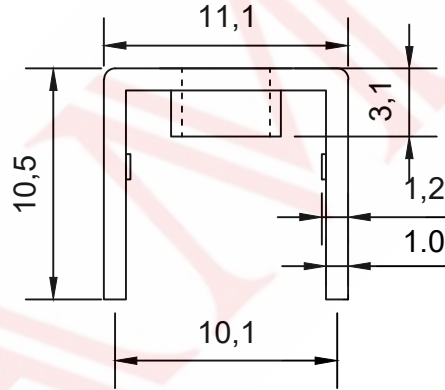
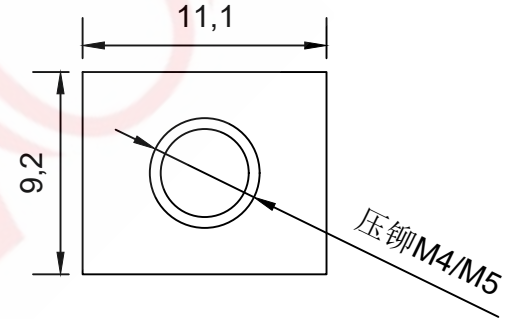
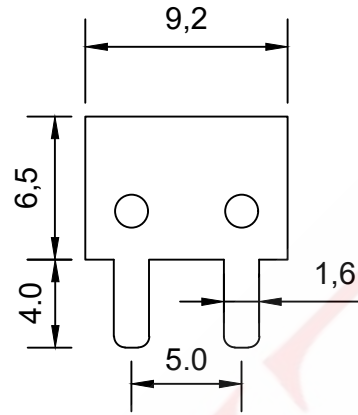
REAC/ROHS

REV	ECN NO	DESCRIPTION	DESIGN	APPROVAL	DATE
A1	NEW	Replace frame			2018.06.12

技术要求:

Technical requirements:

- 打铜底0.5-1UM, 镍底2-2.5UM, 哑锡3-5UM.  
Copper base 0.5 - 1 UM, nickel base 2 - 2.5 UM, matte tin 3 - 5 UM.
- 不得有脚变形, 毛刺等缺陷。  
There shall be no defects such as pin deformation and burrs.
- 插脚尖部符合可焊性要求。  
The tip of the insertion pin shall meet the solderability requirements.
- 螺纹需符合通止规要求。  
The thread shall meet the requirements of the go and no-go gauge.
- 材质: 黄铜H65.  
Material: Brass H65.
- 过载电流: 75A  
Overload current: 75A
- 螺孔为拉伸M4/M5  
The screw holes are press-rieveted M4/M5
- 未标注尺寸公差值按 GB/T1184-1996H级  
Unmarked dimensional tolerance values are in accordance with Grade H of GB/T1184-1996



911 65 40 0 M\*

SERISE:  
9.2\*11.1mm

FOOT HIGH:  
4.0mm

SCREW HOLE:  
M4/M5

HIGH:  
6.5mm

CUSTOM CODE:  
ROUTINE

ITEM	DESCRIPTION	MATERIAL	QTY	FINSH/COLOR	FIRST VIEW				TITLE::						
A	Subject	H62(Y2)	1	tin plating					9.2*11.1-H6.5+4mm (M4/M5)						
					GENERAL TOLERANCE				DWG NO: 911-P015						
					≥0~2<	±0.15	SCALE	1:1	UNIT	mm	PART NO: 911-23052130				
					DESIGN	WANGUIFA	2018.06.12	<p><b>SAMZO COMPONENTS</b> Electronic switch and connector manufacturer</p>				MODEL NO: 91165400-M*			
					CHECKED	ZHENGUILAN	2018.06.12					NAME:		PCB soldering terminal	
					APPROVED	LILIANJIANG	2018.06.14								
F					≥2~5<	±0.25									
					≥0~2<	±0.15									
					≥5	±0.35									

The copyright belongs to samzo parts [China] Co., Ltd. please use the material after samzo parts agree to authorize. The final right of interpretation belongs to samzo parts.  
WWW.KKK-JP.COM

1

2

3

4

5

6

7

8