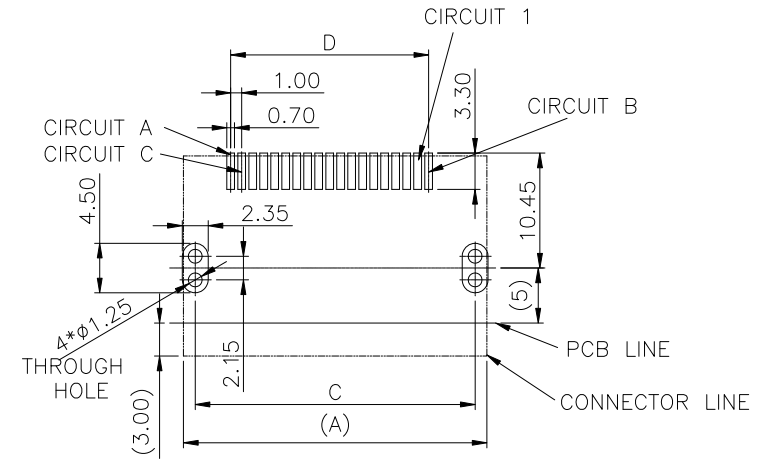
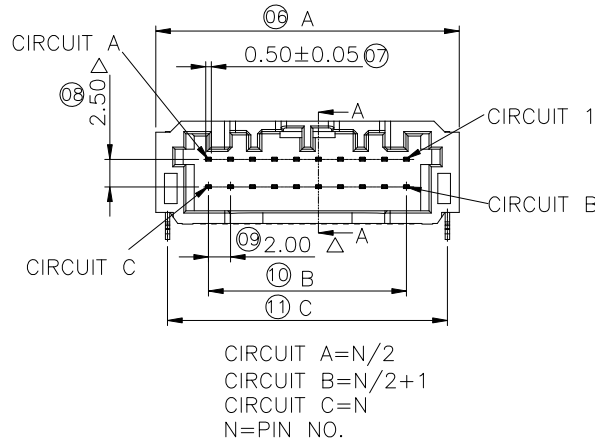
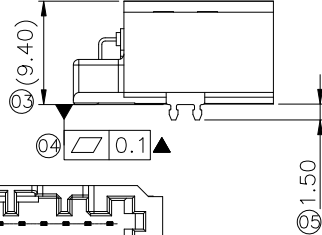
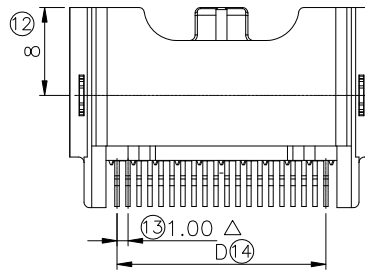
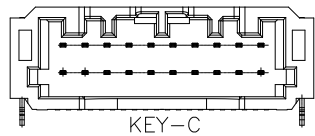
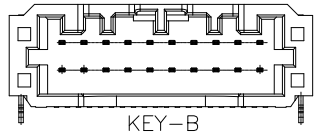
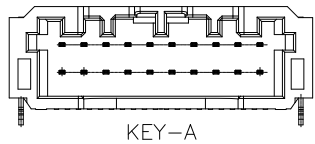


PIN NO.	A	B	C	D
8	15.6	6.00	13.45	7.00
12	19.6	10.00	17.45	11.00
16	23.6	14.00	21.45	15.00
20	27.6	18.00	25.45	19.00
24	31.6	22.00	29.45	23.00
28	35.6	26.00	33.45	27.00
32	39.6	30.00	37.45	31.00
40	47.6	38.00	45.45	39.00



PCB THICKNESS : 1.6mm
 TOLERANCE: ±0.05
 (TOP VIEW)



NOTES:
 VOLTAGE RATING: 60V AC/DC MAX.
 CURRENT RATING: 3A AC/DC(HIGHER CURRENT RATING ACHIEVABLE, CONTACT SALES FOR ADDITIONAL TECHNICAL INFORMATION)
 WITHSTANDING VOLTAGE: 500V AC/MINUTE
 TEMPERATURE RANGE: -40°C ~ +125°C
 INSULATION RESISTANCE: ≥100MΩ
 CONTACT RESISTANCE: ≤10mΩ
 AFTER ENVIRONMENTAL TESTING: ≤30mΩ
 APPLICABLE BJD HOUSING: 14111X-02XX08

14111X-21XX10
 08: 8PIN
 12: 12PIN

- 1: KEY-A W/O CPA FEATURE
- 2: KEY-B W/O CPA FEATURE
- 3: KEY-C W/O CPA FEATURE
- 4: KEY-A WITH CPA FEATURE
- 5: KEY-B WITH CPA FEATURE
- 6: KEY-C WITH CPA FEATURE

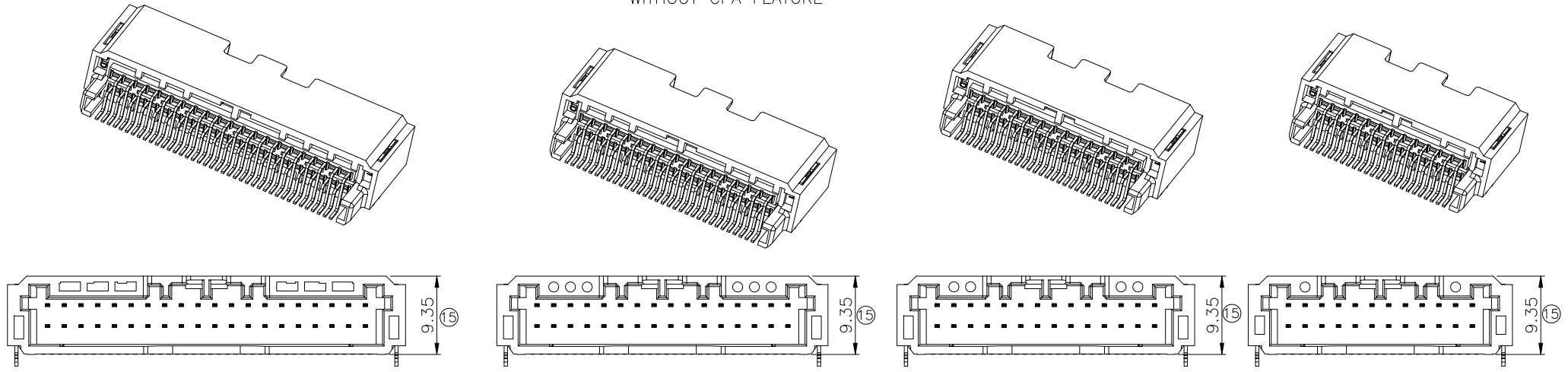
④	SOLDERING PIN	2	COPPER ALLOY	MATTE TIN PLATED OVER NICKEL
③	CONTACT PIN	N/2	COPPER ALLOY	TIN PLATED OVER NICKEL
②	CONTACT PIN	N/2	COPPER ALLOY	
①	HOUSING	1	PPS BLACK	
ITEM	PART NAME	Q'TY	MATERIAL	FINISH

SER	REVISIONS	CHK	DATE
X2	UPDATE KEY DIMENSIONS	Jay	2024-03-11
X1	UPDATE THE C DIMENSIONS	Jay	2022-10-15
X0	INITIAL REVISION	Jay	2022-04-22

UNLESS OTHERWISE SPECIFIED TOLERANCES ARE	
X.	
X.X	±0.30
X.XX	±0.20
X.XXX	
ANG.	±2'

客户图 Drawings		北极大电子科技有限公司 BEIJIDA ELECTRONICS TECHNOLOGY CO. LIMITED			
APPROVED Jay	DATE 2022-04-22	PART NO 14111X-21XX10			
CHECKED Jay	DATE 2022-04-22	NAME 2.00mm R/A SMT WAFER			
DRAWN Bob	DATE 2022-04-22	SIZE A4	SCALE 1.5:1	SHEET 1/3	REV X2

WITHOUT CPA FEATURE

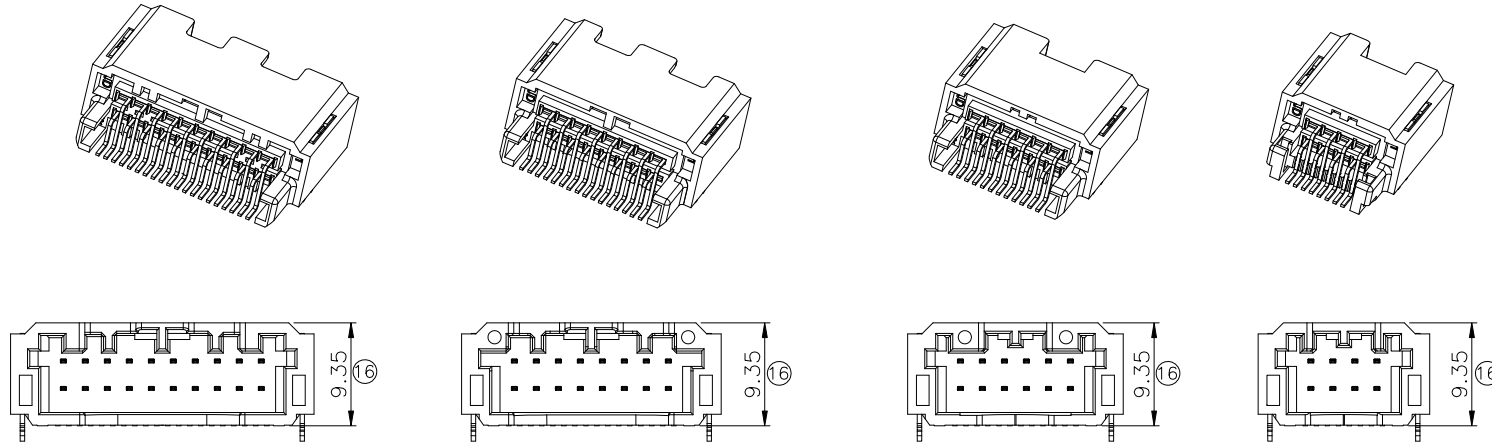


40 PIN

32 PIN

28 PIN

24 PIN

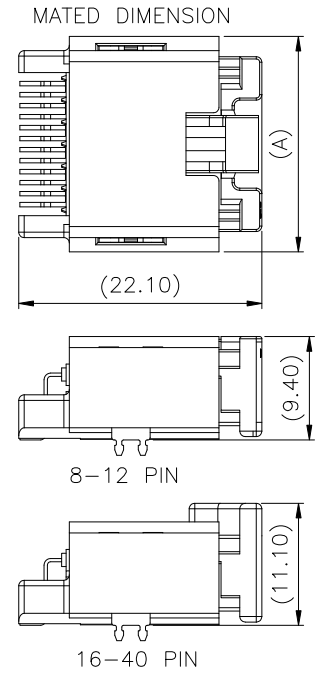


20 PIN

16 PIN

12 PIN

8 PIN



MATED DIMENSION

8-12 PIN

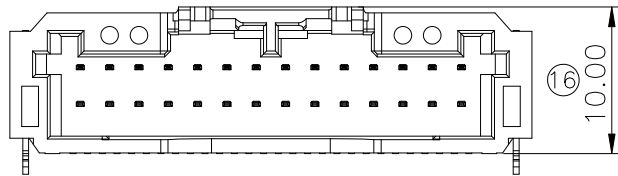
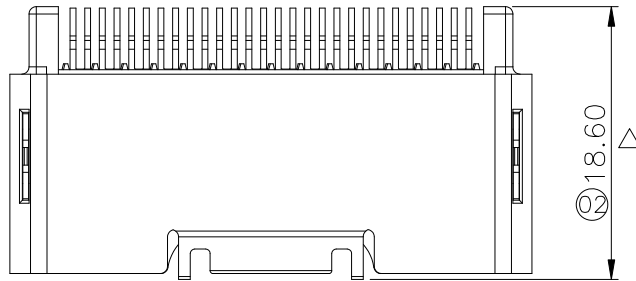
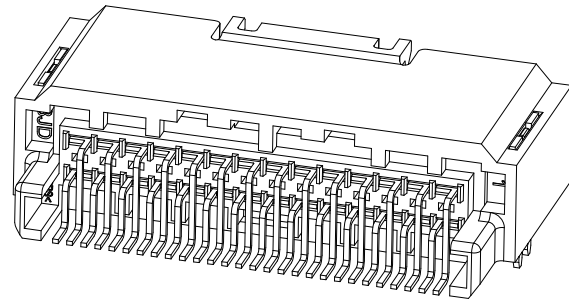
16-40 PIN

SER	REVISIONS	CHK	DATE
X2	UPDATE KEY DIMENSIONS	Jay	2024-03-11
X1	UPDATE THE C DIMENSIONS	Jay	2022-10-15
X0	INITIAL REVISION	Jay	2022-04-22

UNITS	SYMBOL
MM	

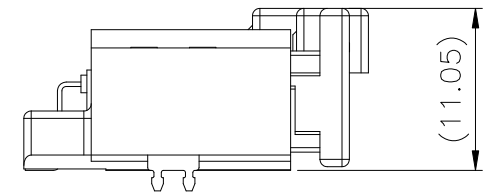
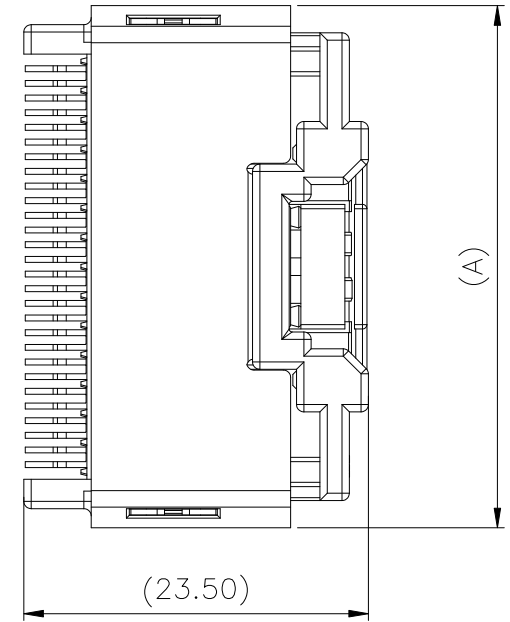
客户图 Drawings		北极大电子科技有限公司 BEIJIDA ELECTRONICS TECHNOLOGY CO. LIMITED			
APPROVED Jay	DATE 2022-04-22	PART NO 14111X-21XX10			
CHECKED Jay	DATE 2022-04-22	NAME 2.00mm R/A SMT WAFER			
DRAWN Bob	DATE 2022-04-22	SIZE A4	SCALE 1.5:1	SHEET 2/3	REV X2

WITH CPA FEATURE



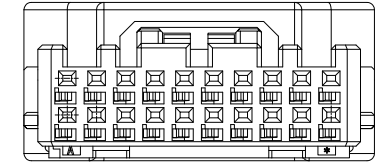
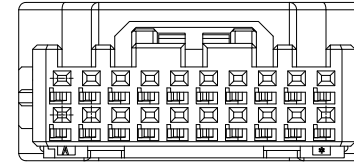
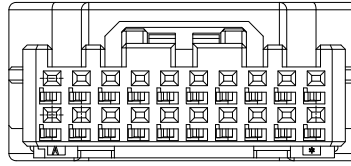
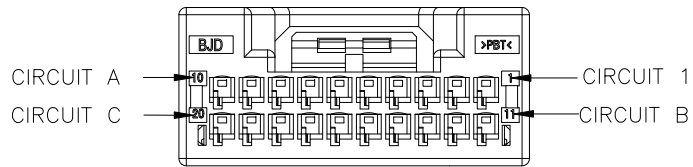
16-40 PIN

MATED DIMENSION



16-40 PIN

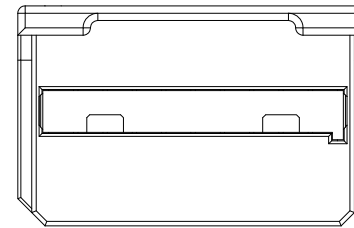
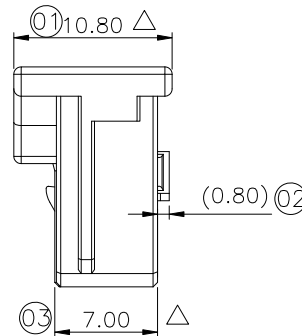
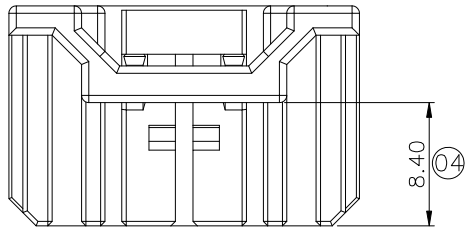
				UNLESS OTHERWISE SPECIFIED TOLERANCES ARE	客户图 Drawings		北极大电子科技有限公司 BEIJIDA ELECTRONICS TECHNOLOGY CO. LIMITED				
				X.		APPROVED	DATE	PART NO			
				X.X ±0.30		Jay	2023-07-22	14111X-21XX10			
				X.XX ±0.20		CHECKED	DATE	NAME			
				X.XXX		Jay	2023-07-22	2.00mm R/A SMT WAFER			
				ANG. ±2'		DRAWN	DATE	SIZE	SCALE	SHEET	REV
X1	UPDATE KEY DIMENSIONS	Jay	2024-03-11		UNIT	Amy	2023-07-22	A4	2:1	3/3	X1
X0	INITIAL REVISION	Jay	2023-07-22		MM						
SER	REVISIONS	CHK	DATE								



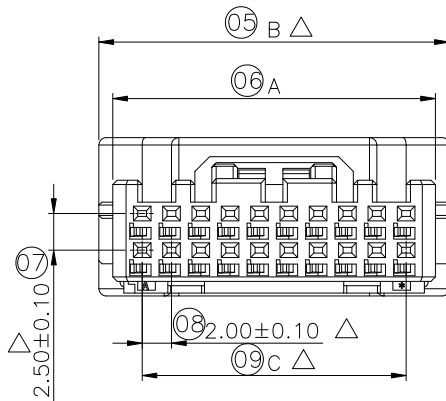
KEY-A

KEY-B

KEY-C



PIN NO.	A	B	C	D
8	10	/	6	15.6
12	14	15.9	10	19.6
16	18	19.9	14	23.6
20	22	23.9	18	27.6
24	26	27.9	22	31.6
28	30	31.9	26	35.6
32	34	35.9	30	39.6
40	42	43.9	38	47.6



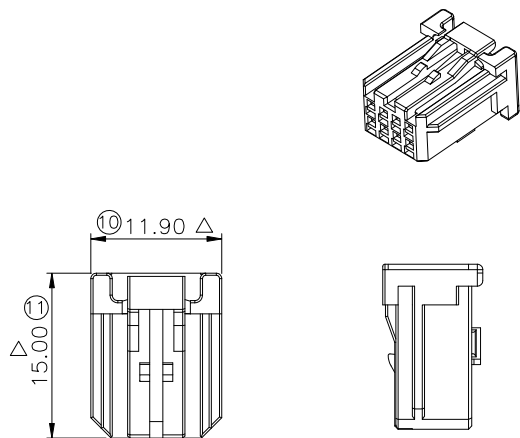
NOTES:
 VOLTAGE RATING: 60V AC/DC MAX.
 CURRENT RATING: 3A AC/DC(HIGHER CURRENT RATING ACHIEVABLE,CONTACT SALES FOR ADDITIONAL TECHNICAL INFORMATION)
 WITHSTANDING VOLTAGE: 500V AC/MINUTE
 TEMPERATURE RANGE: -40°C ~+125°C
 INSULATION RESISTANCE: ≥100MΩ
 CONTACT RESISTANCE: ≤10mΩ
 AFTER ENVIRONMENTAL TESTING: ≤30mΩ
 APPLICABLE BJD WAFER: 14111X-02XX08

14111X-02XX08
 08: 8PIN
 12: 12PIN

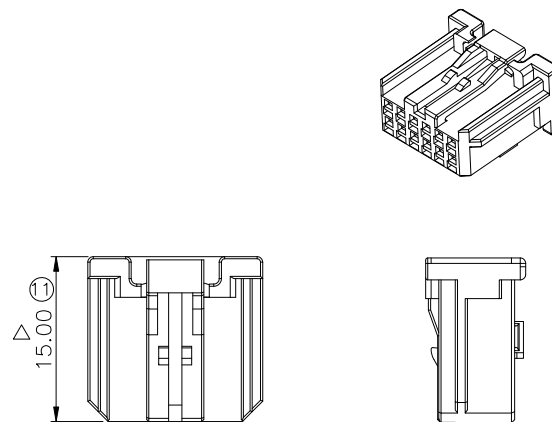
- 1: KEY-A W/O CPA FEATURE
- 2: KEY-B W/O CPA FEATURE
- 3: KEY-C W/O CPA FEATURE
- 4: KEY-A WITH CPA FEATURE
- 5: KEY-B WITH CPA FEATURE
- 6: KEY-C WITH CPA FEATURE

				UNLESS OTHERWISE SPECIFIED TOLERANCES ARE	客户图 Drawings	北极大电子科技有限公司 BEIJIDA ELECTRONICS TECHNOLOGY CO. LIMITED				
				X.	APPROVED	DATE	PART NO			
				X.X ±0.30	Jay	2022-04-22	14111X-02XX08			
				X.XX ±0.20	CHECKED	DATE	NAME			
				X.XXX	Jay	2022-04-22	2.00 mm SOCKET HOUSING ASSEMBLY			
				ANG. ±2'	DRAWN	DATE	SIZE	SCALE	SHEET	REV
X1	UPDATE KEY DIMENSIONS	Jay	2024-03-11		Bob	2022-04-22	A4	2:1	1/3	X1
X0	INITIAL REVISION	Jay	2022-04-22	UNIT						
SER	REVISIONS	CHK	DATE	MM						

WITHOUT CPA FEATURE

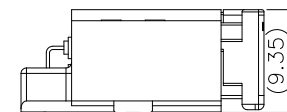
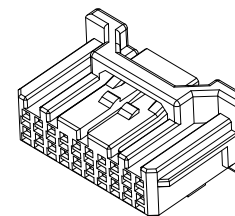
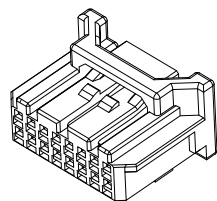
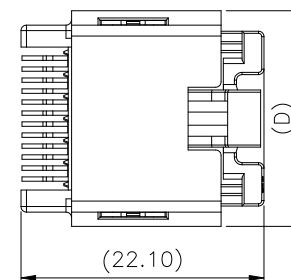


8PIN

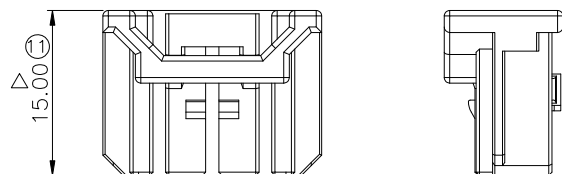


12PIN

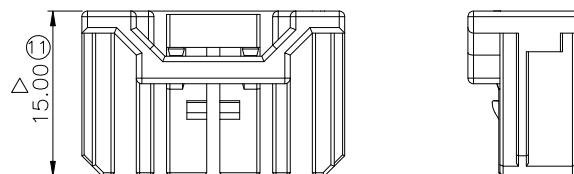
MATED DIMENSION



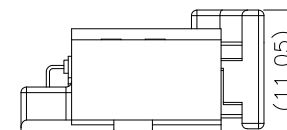
8-12 PIN



16PIN



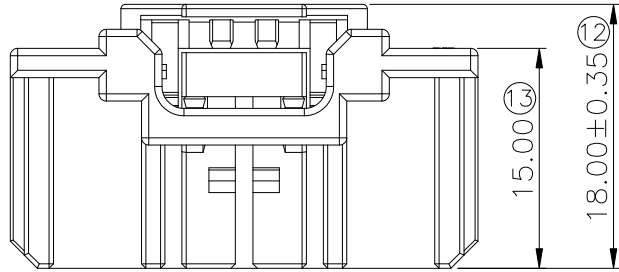
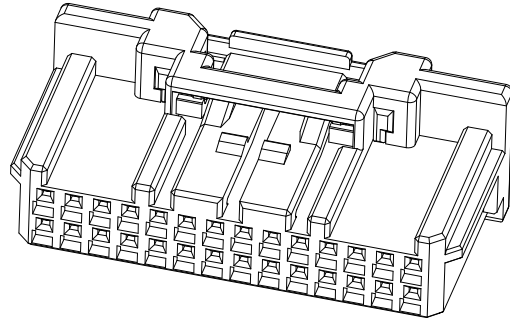
20~40PIN



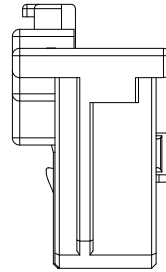
16-40 PIN

				UNLESS OTHERWISE SPECIFIED TOLERANCES ARE	客户图 Drawings	北极大电子科技有限公司 BEIJIDA ELECTRONICS TECHNOLOGY CO. LIMITED					
				X. ±0.30	APPROVED	DATE	PART NO				
				X.X ±0.20	Jay	2022-04-22	14111X-02XX08				
				X.XXX	CHECKED	DATE	NAME				
				ANG. ±2'	Jay	2022-04-22	2.00 mm SOCKET HOUSING ASSEMBLY				
X1	UPDATE KEY DIMENSIONS	Jay	2024-03-11	UNIT	DRAWN	DATE	SIZE	SCALE	SHEET	REV	
X0	INITIAL REVISION	Jay	2022-04-22	MM		Bob	2022-04-22	A4	1.5:1	2/3	X1
SER	REVISIONS	CHK	DATE								

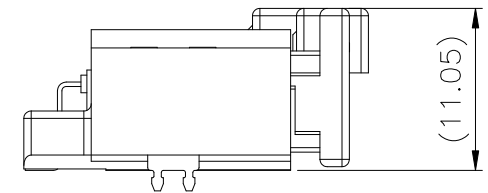
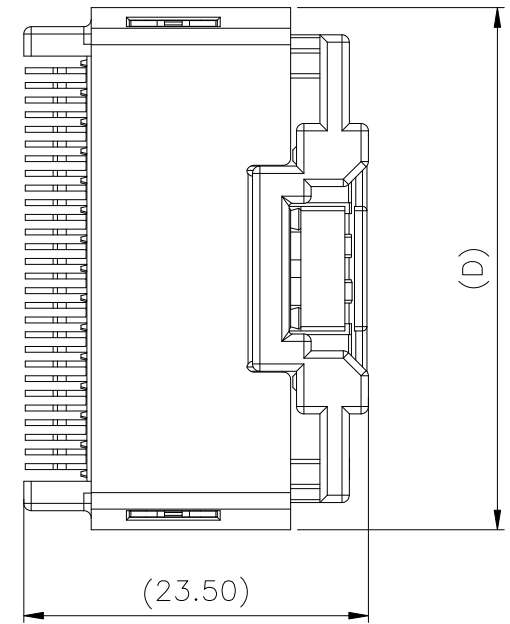
WITH CPA FEATURE



16-40PIN

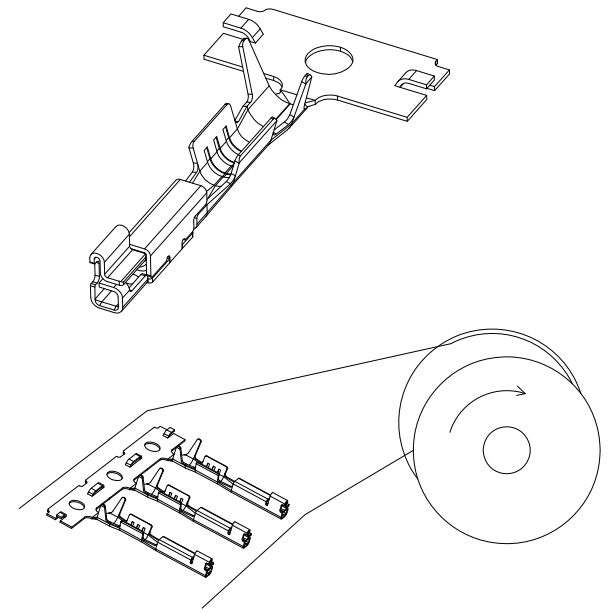
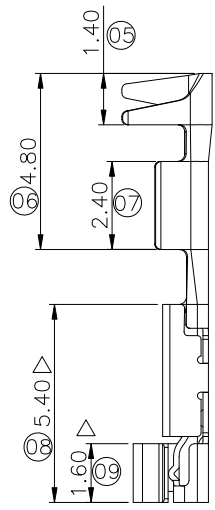
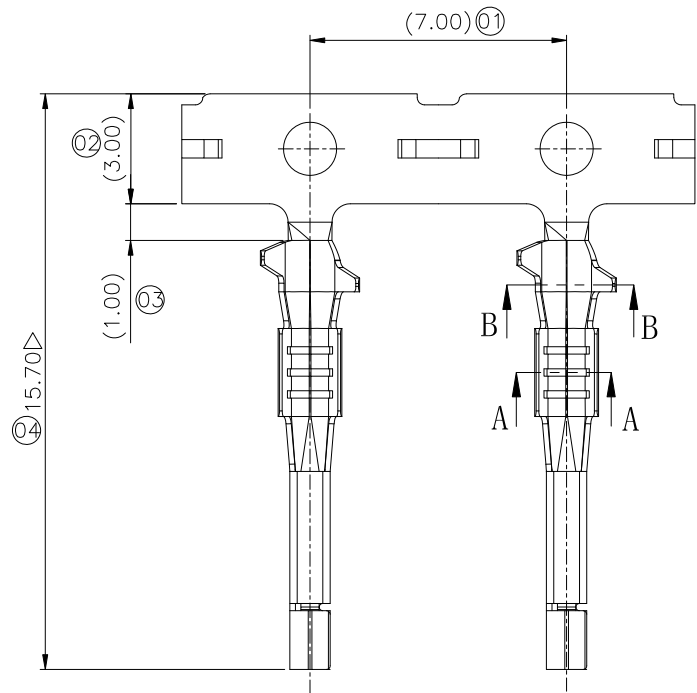


MATED DIMENSION

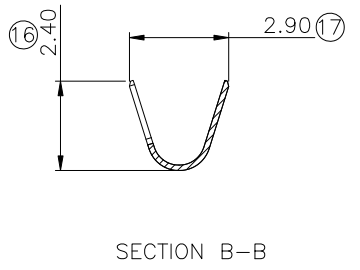
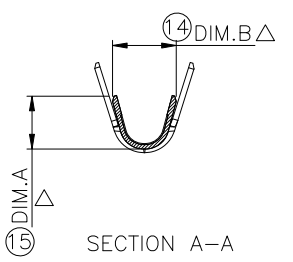
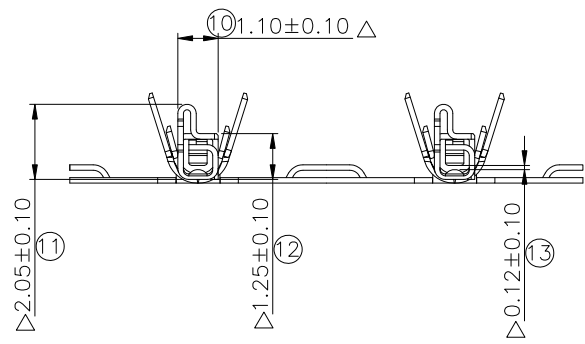


16-40 PIN

				UNLESS OTHERWISE SPECIFIED TOLERANCES ARE		客户图 Drawings		北极大电子科技有限公司 BEIJIDA ELECTRONICS TECHNOLOGY CO. LIMITED			
				X.		APPROVED		DATE		PART NO	
				X.X ±0.30		Jay		2023-07-22		14111X-02XX08	
				X.XX ±0.20		CHECKED		DATE		NAME	
				X.XXX		Jay		2023-07-22		2.00 mm SOCKET HOUSING ASSEMBLY	
				ANG. ±2'		DRAWN		DATE		SIZE	
X1	UPDATE KEY DIMENSIONS	Jay	2024-03-11	UNIT	MM	Amy		2023-07-22		A4	
X0	INITIAL REVISION	Jay	2023-07-22							SCALE	
SER	REVISIONS	CHK	DATE							SHEET	
										3/3	
										REV	
										X1	



WINDING DIRECTION AFTER STAMPING



NOTES:
 VOLTAGE RATING: 60V AC/DC MAX.
 CURRENT RATING: 3A AC/DC(HIGHER CURRENT RATING ACHIEVABLE,CONTACT SALES FOR ADDITIONAL TECHNICAL INFORMATION)
 WITHSTANDING VOLTAGE: 500V AC/MINUTE
 TEMPERATURE RANGE: -40℃ ~+125℃
 INSULATION RESISTANCE: ≥100MΩ
 CONTACT RESISTANCE: ≤10mΩ
 AFTER ENVIRONMENTAL TESTING: ≤30mΩ
 APPLICABLE BJD HOUSING: 14111X-02XX08
 MATERIAL: COPPER ALLOY,THK0.15mm
 TIN 40~120U"(1~3UM) OVERALL

241111-080252	0.50mm ² (20AWG) OD=1.60MAX	1.80	1.92
241111-080242	0.22~0.35mm ² (22~24AWG) OD=1.50MAX	1.46	1.74
P/N	WIRE SIZE	DIM.A	DIM.B

				UNLESS OTHERWISE SPECIFIED TOLERANCES ARE		客户图 Drawings		北极大电子科技有限公司 BEIJIDA ELECTRONICS TECHNOLOGY CO. LIMITED			
				X.		APPROVED	DATE	PART NO			
				X.X	±0.30	Jay	2022-04-22	241111-0802X2			
				X.XX	±0.20	CHECKED	DATE	NAME			
X2	UPDATE KEY DIMENSIONS	Jay	2023-08-24	X.XXX		Jay	2022-04-22	Pitch 2.00 WTB Housing Terminal			
X0	INITIAL REVISION	Jay	2022-04-22	ANG.	±2'	DRAWN	DATE	SIZE	SCALE	SHEET	REV
SER	REVISIONS	CHK	DATE	UNIT	MM	Bob	2022-04-22	A4	5:1	1/1	X2