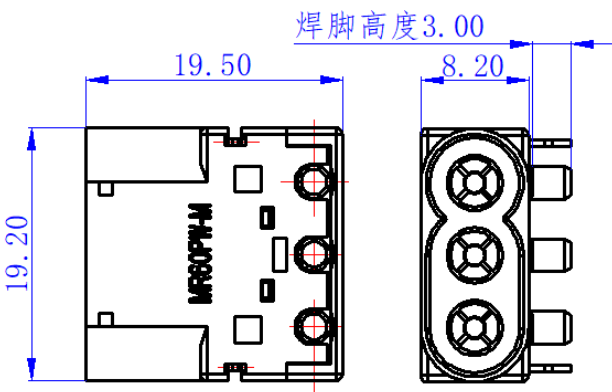




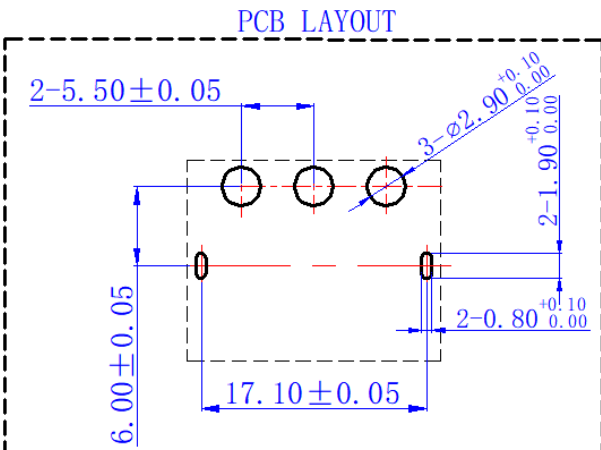
MR60PW Series products

1. This series of products are horizontal board assembly type 3PIN connector, providing integrated solutions for horizontal space PCB board, the current power lithium electric motor plug-in standard parts, the other line to line design;
2. It can be applied to the connection scenario between the motor and the controller.

MR60PW-M30.G.B



PCB mounting hole diagram



Electric Characteristic	
Current Rating	35A MAX (Δ<85℃)
Voltage	600V DC
Insulation Resistance	≥2000MΩ
Contact Resistance	≤1.0mΩ
Mechanical Characteristic	
Plug Life	100 Times
Salt Spray	48h
Working Environment	
Protection Level	IP40
Work Temperature	-20℃ to 120℃
Materials Flame Level	UL94 V-0 (Wall thickness0.8mm)
Material	
Plastic Housing	PA, Color: black
Terminal	Copper Alloy,Plating: Gilding

<p>During connector using, do not exceed the rated current and voltage</p>	<ul style="list-style-type: none"> • Current and voltage overloads can cause faults and accidents. • Plug connector in live state, will lead to faults and accident. Therefore, please plug the connector when no current load on the circuit.
<p>Do not use when external force is applied to the connector</p>	<ul style="list-style-type: none"> • Do not power on connectors and wires under stress. If too much external force, will lead to damage, Faults and accidents occur, so do not use in this situation. • The connector is designed as the connecting part of the circuit, so do not use the connector as the junction of the shell, to construct part of an object.
<p>Please confirm the environment</p>	<ul style="list-style-type: none"> • Do not use in high temperature and humidity environment. • Failure may occur if not used in the environment specified in the specification. So please don't do it here
<p>Use carefully</p>	<ul style="list-style-type: none"> • Connectors are precision parts. Please be careful when using them. • Be careful when you open the package, even the part protected by tape packing and tubular packing, the terminal also will be deformation, bending, propping and other phenomena.

Document maker:

Document checker:

Document approver: