

# PTSM 0,5/ 3-PL-2,5 BK - Printed-circuit board connector



1709443

<https://www.phoenixcontact.com/us/products/1709443>

Please be informed that the data shown in this PDF document is generated from our online catalog. Please find the complete data in the user documentation. Our general terms of use for downloads are valid.



PCB connector, nominal cross section: 0.5 mm<sup>2</sup>, color: black, nominal current: 6 A, rated voltage (III/2): 160 V, contact surface: Tin, contact connection type: Socket, number of potentials: 3, number of rows: 1, number of positions: 3, number of connections: 3, product range: PTSM 0,5/..-PL, pitch: 2.5 mm, connection method: Push-in spring connection, conductor/PCB connection direction: 0 °, plug-in system: COMBICON PTSM, locking: Snap-in locking, mounting: Self-locking flange, type of packaging: packed in cardboard

## Your advantages

- Time saving push-in connection, tools not required
- Defined contact force ensures that contact remains stable over the long term
- High current carrying capacity of 6 A in very compact dimensions
- Intuitive locking mechanism prevents accidental disconnection

## Commercial data

|                                      |                                |
|--------------------------------------|--------------------------------|
| Item number                          | 1709443                        |
| Packing unit                         | 250 pc                         |
| Minimum order quantity               | 250 pc                         |
| Note                                 | Made to order (non-returnable) |
| Sales key                            | AA01                           |
| Product key                          | AAAFPF                         |
| GTIN                                 | 4055626130828                  |
| Weight per piece (including packing) | 1.077 g                        |
| Weight per piece (excluding packing) | 1.077 g                        |
| Customs tariff number                | 85366990                       |
| Country of origin                    | PL                             |

# PTSM 0,5/ 3-PL-2,5 BK - Printed-circuit board connector



1709443

<https://www.phoenixcontact.com/us/products/1709443>

## Technical data

### Product properties

|                       |                        |
|-----------------------|------------------------|
| Type                  | Standard               |
| Product line          | COMBICON Connectors XS |
| Product type          | PCB connector          |
| Product family        | PTSM 0,5/...-PL        |
| Number of positions   | 3                      |
| Pitch                 | 2.5 mm                 |
| Number of connections | 3                      |
| Number of rows        | 1                      |
| Number of potentials  | 3                      |

### Electrical properties

|                             |        |
|-----------------------------|--------|
| Nominal current $I_N$       | 6 A    |
| Nominal voltage $U_N$       | 160 V  |
| Degree of pollution         | 3      |
| Contact resistance          | 3 mΩ   |
| Rated voltage (III/3)       | 100 V  |
| Rated surge voltage (III/3) | 2.5 kV |
| Rated voltage (III/2)       | 160 V  |
| Rated surge voltage (III/2) | 2.5 kV |
| Rated voltage (II/2)        | 320 V  |
| Rated surge voltage (II/2)  | 2.5 kV |

### Connection data

#### Connection technology

|                         |                     |
|-------------------------|---------------------|
| Type                    | Standard            |
| Connector system        | COMBICON PTSM       |
| Nominal cross section   | 0.5 mm <sup>2</sup> |
| Contact connection type | Socket              |

#### Interlock

|                 |                     |
|-----------------|---------------------|
| Locking type    | Snap-in locking     |
| Mounting flange | Self-locking flange |

#### Conductor connection

|  |   |
|--|---|
| Connection method  | Push-in spring connection   |
| Conductor/PCB connection direction                             | 0 °   |
| Conductor cross section rigid                                  | 0.14 mm <sup>2</sup> ... 0.5 mm <sup>2</sup>  |
| Conductor cross section flexible                               | 0.2 mm <sup>2</sup> ... 0.5 mm <sup>2</sup> (up to 0.75 mm <sup>2</sup> supported, with a stripping length of 7.5 mm and a rated insulation voltage of 32 V at III/2) |
| Conductor cross section AWG                                    | 24 ... 20   |
| Conductor cross section flexible, with ferrule without plastic | 0.25 mm <sup>2</sup> ... 0.5 mm <sup>2</sup>  |

# PTSM 0,5/ 3-PL-2,5 BK - Printed-circuit board connector



1709443

<https://www.phoenixcontact.com/us/products/1709443>

|  |   |
|--|---|
| sleeve   |   |
| Conductor cross section, flexible, with ferrule, with plastic sleeve | 0.25 mm <sup>2</sup> ... 0.34 mm <sup>2</sup> |
| Cylindrical gauge a x b / diameter                                   | - / 1.2 mm                                    |
| Stripping length   | 6 mm  |

## Material specifications

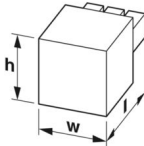
### Material data - contact

|  |  |
|--|--|
| Note                                     | WEEE/RoHS-compliant, free of whiskers according to IEC 60068-2-82/JEDEC JESD 201 |
| Contact material                         | Cu alloy   |
| Surface characteristics                  | hot-dip tin-plated   |
| Metal surface terminal point (top layer) | Tin (4 - 8 µm Sn)  |
| Metal surface contact area (top layer)   | Tin (4 - 8 µm Sn)  |

### Material data - housing

|   |              |
|---|--------------|
| Color (Housing)   | black (9005) |
| Insulating material   | PA           |
| Insulating material group   | I            |
| CTI according to IEC 60112  | 600          |
| Flammability rating according to UL 94                            | V0           |
| Glow wire flammability index GWFI according to EN 60695-2-12      | 850          |
| Glow wire ignition temperature GWIT according to EN 60695-2-13    | 775          |
| Temperature for the ball pressure test according to EN 60695-10-2 | 125 °C       |

## Dimensions

|                     |  |
|---------------------|--|
| Dimensional drawing |  |
| Pitch               | 2.5 mm   |
| Width [w]           | 13.96 mm   |
| Height [h]          | 15 mm  |
| Length [l]          | 5.2 mm   |

## Mechanical tests

### Conductor connection

|               |                     |
|---------------|---------------------|
| Specification | IEC 60999-1:1999-11 |
| Result        | Test passed         |

### Test for conductor damage and slackening

|               |                     |
|---------------|---------------------|
| Specification | IEC 60999-1:1999-11 |
|---------------|---------------------|

# PTSM 0,5/ 3-PL-2,5 BK - Printed-circuit board connector



1709443

<https://www.phoenixcontact.com/us/products/1709443>

|        |             |
|--------|-------------|
| Result | Test passed |
|--------|-------------|

## Repeated connection and disconnection

|               |                     |
|---------------|---------------------|
| Specification | IEC 60999-1:1999-11 |
| Result        | Test passed         |

## Pull-out test

|   |  |
|---|--|
| Specification   | IEC 60999-1:1999-11                      |
| Conductor cross section/conductor type/tractive force setpoint/actual value | 0.14 mm <sup>2</sup> / solid / > 10 N    |
|   | 0.25 mm <sup>2</sup> / flexible / > 10 N |
|   | 0.5 mm <sup>2</sup> / solid / > 20 N     |
|   | 0.75 mm <sup>2</sup> / flexible / > 30 N |

## Insertion and withdrawal forces

|                                     |             |
|-------------------------------------|-------------|
| Result                              | Test passed |
| No. of cycles                       | 10          |
| Insertion strength per pos. approx. | 5 N         |
| Withdraw strength per pos. approx.  | 4 N         |

## Resistance of inscriptions

|               |                        |
|---------------|------------------------|
| Specification | IEC 60068-2-70:1995-12 |
| Result        | Test passed            |

## Polarization and coding

|               |                        |
|---------------|------------------------|
| Specification | IEC 60512-13-5:2006-02 |
| Result        | Test passed            |

## Visual inspection

|               |                       |
|---------------|-----------------------|
| Specification | IEC 60512-1-1:2002-02 |
| Result        | Test passed           |

## Dimension check

|               |                       |
|---------------|-----------------------|
| Specification | IEC 60512-1-2:2002-02 |
| Result        | Test passed           |

## Environmental and real-life conditions

### Vibration test

|                        |                             |
|------------------------|-----------------------------|
| Specification          | IEC 60068-2-6:2007-12       |
| Frequency              | 10 - 150 - 10 Hz            |
| Sweep speed            | 1 octave/min                |
| Amplitude              | 0.35 mm (10 Hz ... 60.1 Hz) |
| Sweep speed            | 5g (60.1 Hz ... 150 Hz)     |
| Test duration per axis | 2.5 h                       |

### Durability test

|  |                       |
|--|-----------------------|
| Specification                          | IEC 60512-9-1:2010-03 |
| Impulse withstand voltage at sea level | 2.95 kV               |

# PTSM 0,5/ 3-PL-2,5 BK - Printed-circuit board connector



1709443

<https://www.phoenixcontact.com/us/products/1709443>

|                                   |      |
|-----------------------------------|------|
| Contact resistance R <sub>1</sub> | 3 mΩ |
| Contact resistance R <sub>2</sub> | 4 mΩ |
| Insertion/withdrawal cycles       | 10   |

## Climatic test

|                                   |   |
|-----------------------------------|---|
| Specification                     | ISO 6988:1985-02  |
| Corrosive stress                  | 0.2 dm <sup>3</sup> SO <sub>2</sub> on 300 dm <sup>3</sup> /40 °C/1 cycle |
| Thermal stress                    | 100 °C/168 h  |
| Power-frequency withstand voltage | 1.39 kV   |

## Shocks

|                 |                                   |
|-----------------|-----------------------------------|
| Specification   | IEC 60068-2-27:2008-02            |
| Pulse shape     | Semi-sinusoidal                   |
| Acceleration    | 30g                               |
| Shock duration  | 18 ms                             |
| Test directions | X-, Y- and Z-axis (pos. and neg.) |

## Ambient conditions

|   |   |
|---|---|
| Ambient temperature (operation)         | -40 °C ... 100 °C (dependent on the derating curve) |
| Ambient temperature (storage/transport) | -40 °C ... 70 °C                                    |
| Relative humidity (storage/transport)   | 30 % ... 70 %                                       |
| Ambient temperature (assembly)          | -5 °C ... 100 °C                                    |

## Electrical tests

### Thermal test | Test group C

|                            |                       |
|----------------------------|-----------------------|
| Specification              | IEC 60512-5-1:2002-02 |
| Tested number of positions | 8                     |

### Insulation resistance

|  |                       |
|--|-----------------------|
| Specification                                | IEC 60512-3-1:2002-02 |
| Insulation resistance, neighboring positions | > 5 MΩ                |

### Temperature cycles

|               |                     |
|---------------|---------------------|
| Specification | IEC 60999-1:1999-11 |
| Result        | Test passed         |

### Air clearances and creepage distances |

|  |                     |
|--|---------------------|
| Specification  | IEC 60664-1:2007-04 |
| Insulating material group                              | I                   |
| Comparative tracking index (IEC 60112)                 | CTI 600             |
| Rated insulation voltage (III/3)                       | 100 V               |
| Rated surge voltage (III/3)                            | 2.5 kV              |
| minimum clearance value - non-homogenous field (III/3) | 1.5 mm              |
| minimum creepage distance (III/3)                      | 1.8 mm              |
| Rated insulation voltage (III/2)                       | 160 V               |
| Rated surge voltage (III/2)                            | 2.5 kV              |

# PTSM 0,5/ 3-PL-2,5 BK - Printed-circuit board connector



1709443

<https://www.phoenixcontact.com/us/products/1709443>

|  |        |
|--|--------|
| minimum clearance value - non-homogenous field (III/2) | 1.5 mm |
| minimum creepage distance (III/2)                      | 1.5 mm |
| Rated insulation voltage (II/2)                        | 320 V  |
| Rated surge voltage (II/2)                             | 2.5 kV |
| minimum clearance value - non-homogenous field (II/2)  | 1.5 mm |
| minimum creepage distance (II/2)                       | 1.6 mm |

## Packaging specifications

|                   |                     |
|-------------------|---------------------|
| Type of packaging | packed in cardboard |
|-------------------|---------------------|

# PTSM 0,5/ 3-PL-2,5 BK - Printed-circuit board connector

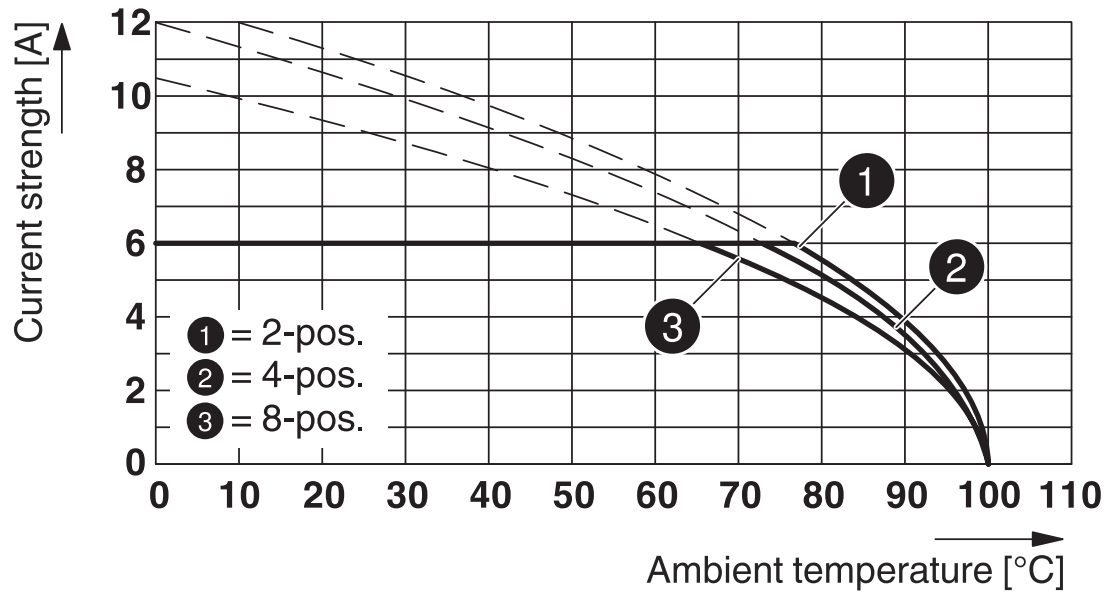


1709443

<https://www.phoenixcontact.com/us/products/1709443>

## Drawings

Diagram



Type: PTSM 0,5/...-PL-2,5 ... with PTSM 0,5/...-HH-2,5-SMD... R...

# PTSM 0,5/ 3-PL-2,5 BK - Printed-circuit board connector





1709443


<https://www.phoenixcontact.com/us/products/1709443>

## Approvals

To download certificates, visit the product detail page: <https://www.phoenixcontact.com/us/products/1709443>

|  <b>UL Recognized</b><br>Approval ID: E118976-20130619 |                       |                       |                   |                             |
|---|-----------------------|-----------------------|-------------------|-----------------------------|
|   | Nominal voltage $U_N$ | Nominal current $I_N$ | Cross section AWG | Cross section $\text{mm}^2$ |
| Use group B   |                       |                       |                   |                             |
|   | 150 V                 | 5 A                   | 26 - 18           | -                           |

|  <b>cULus Recognized</b><br>Approval ID: E60425-20101209 |                       |                       |                   |                             |
|---|-----------------------|-----------------------|-------------------|-----------------------------|
|   | Nominal voltage $U_N$ | Nominal current $I_N$ | Cross section AWG | Cross section $\text{mm}^2$ |
| Use group B   |                       |                       |                   |                             |
|   | 150 V                 | 5 A                   | 26 - 20           | -                           |

|  <b>VDE Zeichengenehmigung</b><br>Approval ID: 40048497 |                       |                       |                   |                             |
|--|-----------------------|-----------------------|-------------------|-----------------------------|
|  | Nominal voltage $U_N$ | Nominal current $I_N$ | Cross section AWG | Cross section $\text{mm}^2$ |
| Use group B  |                       |                       |                   |                             |
|  | 160 V                 | 6 A                   | -                 | 0.14 - 0.5                  |



# PTSM 0,5/ 3-PL-2,5 BK - Printed-circuit board connector



1709443

<https://www.phoenixcontact.com/us/products/1709443>

## Classifications

### ECLASS

|             |          |
|-------------|----------|
| ECLASS-11.0 | 27460202 |
| ECLASS-12.0 | 27460202 |
| ECLASS-13.0 | 27460202 |

### ETIM

|          |          |
|----------|----------|
| ETIM 8.0 | EC002638 |
|----------|----------|

### UNSPSC

|             |          |
|-------------|----------|
| UNSPSC 21.0 | 39121400 |
|-------------|----------|

# PTSM 0,5/ 3-PL-2,5 BK - Printed-circuit board connector



1709443

<https://www.phoenixcontact.com/us/products/1709443>

## Environmental product compliance

|            |   |
|------------|---|
| China RoHS | Environmentally friendly use period: unlimited = EFUP-e |
|            | No hazardous substances above threshold values          |

# PTSM 0,5/ 3-PL-2,5 BK - Printed-circuit board connector



1709443

<https://www.phoenixcontact.com/us/products/1709443>

## Accessories

### SZS 0,4X2,0 - Screwdriver

1205202

<https://www.phoenixcontact.com/us/products/1205202>



Micro screwdriver, bladed, size: 0.4 x 2.0 x 60 mm, 2-component grip, with non-slip grip and twist cap

---

### AI 0,25- 6 BU - Ferrule

3203040

<https://www.phoenixcontact.com/us/products/3203040>



Ferrule, sleeve length: 6 mm, color: blue

# PTSM 0,5/ 3-PL-2,5 BK - Printed-circuit board connector



1709443

<https://www.phoenixcontact.com/us/products/1709443>

AI 0,25- 6 YE - Ferrule

3203024

<https://www.phoenixcontact.com/us/products/3203024>



Ferrule, sleeve length: 6 mm, color: yellow

---

AI 0,34- 6 TQ - Ferrule

3203053

<https://www.phoenixcontact.com/us/products/3203053>



Ferrule, sleeve length: 6 mm, color: turquoise

# PTSM 0,5/ 3-PL-2,5 BK - Printed-circuit board connector



1709443

<https://www.phoenixcontact.com/us/products/1709443>

## PTSM 0,5/ 3-HH-2,5-SMD R32 - PCB header

1778777

<https://www.phoenixcontact.com/us/products/1778777>



PCB headers, nominal cross section: 0.5 mm<sup>2</sup>, color: black, nominal current: 6 A, rated voltage (III/2): 160 V, contact surface: Tin, contact connection type: Pin, number of potentials: 3, number of rows: 1, number of positions: 3, number of connections: 3, product range: PTSM 0,5/...-HH-SMD, pitch: 2.5 mm, mounting: SMD soldering, pin layout: Linear pad geometry, number of solder pins per potential: 1, plug-in system: COMBICON PTSM, Pin connector pattern alignment: Standard, locking: without, mounting: without, type of packaging: 32 mm wide tape, Article with anti-rotation pin

---

## PTSM 0,5/ 3-HH0-2,5-SMD R32 - PCB header

1808200

<https://www.phoenixcontact.com/us/products/1808200>



PCB headers, nominal cross section: 0.5 mm<sup>2</sup>, color: black, nominal current: 6 A, rated voltage (III/2): 160 V, contact surface: Tin, contact connection type: Pin, number of potentials: 3, number of rows: 1, number of positions: 3, number of connections: 3, product range: PTSM 0,5/...-HH-SMD, pitch: 2.5 mm, mounting: SMD soldering, pin layout: Linear pad geometry, number of solder pins per potential: 1, plug-in system: COMBICON PTSM, Pin connector pattern alignment: Standard, locking: without, mounting: without, type of packaging: 32 mm wide tape

# PTSM 0,5/ 3-PL-2,5 BK - Printed-circuit board connector



1709443

<https://www.phoenixcontact.com/us/products/1709443>

## PTSM 0,5/ 3-HH1-2,5-THR R32 - PCB header

1814786

<https://www.phoenixcontact.com/us/products/1814786>



PCB headers, nominal cross section: 0.5 mm<sup>2</sup>, color: black, nominal current: 6 A, rated voltage (III/2): 160 V, contact surface: Tin, contact connection type: Pin, number of potentials: 3, number of rows: 1, number of positions: 3, number of connections: 3, product range: PTSM 0,5/..-HH-THR, pitch: 2.5 mm, mounting: THR soldering, pin layout: Linear pinning, solder pin [P]: 2 mm, number of solder pins per potential: 1, plug-in system: COMBICON PTSM, Pin connector pattern alignment: Standard, locking: without, mounting: without, type of packaging: 32 mm wide tape, Article with anti-rotation pin

---

## PTSM 0,5/ 3-HH-2,5-THR R32 - PCB header

1778638

<https://www.phoenixcontact.com/us/products/1778638>



PCB headers, nominal cross section: 0.5 mm<sup>2</sup>, color: black, nominal current: 6 A, rated voltage (III/2): 160 V, contact surface: Tin, contact connection type: Pin, number of potentials: 3, number of rows: 1, number of positions: 3, number of connections: 3, product range: PTSM 0,5/..-HH-THR, pitch: 2.5 mm, mounting: THR soldering, pin layout: Linear pinning, solder pin [P]: 2.1 mm, number of solder pins per potential: 1, plug-in system: COMBICON PTSM, Pin connector pattern alignment: Standard, locking: without, mounting: without, type of packaging: 32 mm wide tape

# PTSM 0,5/ 3-PL-2,5 BK - Printed-circuit board connector



1709443

<https://www.phoenixcontact.com/us/products/1709443>

## PTSM 0,5/ 3-HV-2,5-THR R32 - PCB header

1778560

<https://www.phoenixcontact.com/us/products/1778560>



PCB headers, nominal cross section: 0.5 mm<sup>2</sup>, color: black, nominal current: 6 A, rated voltage (III/2): 160 V, contact surface: Tin, contact connection type: Pin, number of potentials: 3, number of rows: 1, number of positions: 3, number of connections: 3, product range: PTSM 0,5/..-HV-THR, pitch: 2.5 mm, mounting: THR soldering, pin layout: Linear pinning, solder pin [P]: 2 mm, number of solder pins per potential: 1, plug-in system: COMBICON PTSM, Pin connector pattern alignment: Standard, locking: without, mounting: without, type of packaging: 32 mm wide tape

## PTSM 0,5/ 3-PI-2,5 BK - Printed-circuit board connector

1709436

<https://www.phoenixcontact.com/us/products/1709436>



PCB connector, nominal cross section: 0.5 mm<sup>2</sup>, color: black, nominal current: 6 A, rated voltage (III/2): 160 V, contact surface: Tin, contact connection type: Pin, number of potentials: 3, number of rows: 1, number of positions: 3, number of connections: 3, product range: PTSM 0,5/..-PI, pitch: 2.5 mm, connection method: Push-in spring connection, conductor/PCB connection direction: 0 °, plug-in system: COMBICON PTSM, locking: without, mounting: without, type of packaging: packed in cardboard

Phoenix Contact 2024 © - all rights reserved  
<https://www.phoenixcontact.com>

Phoenix Contact USA  
586 Fulling Mill Road  
Middletown, PA 17057, United States  
(+717) 944-1300  
[info@phoenixcon.com](mailto:info@phoenixcon.com)