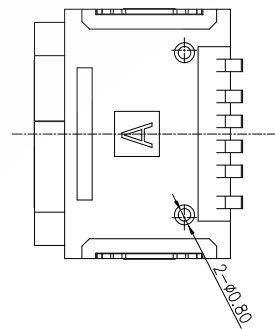
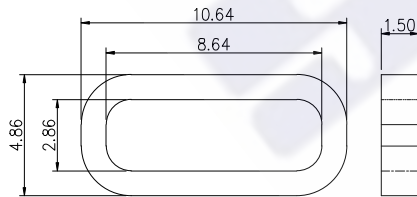
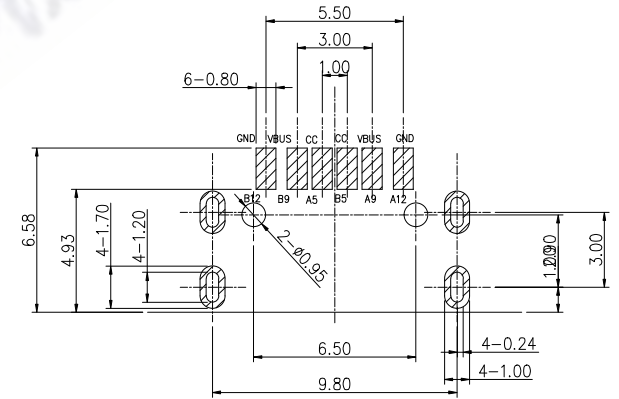
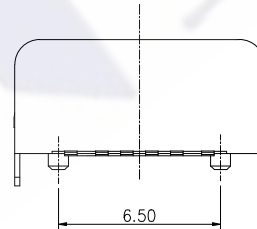
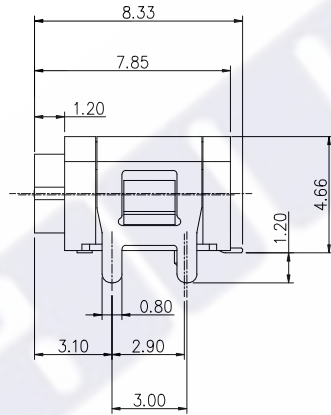
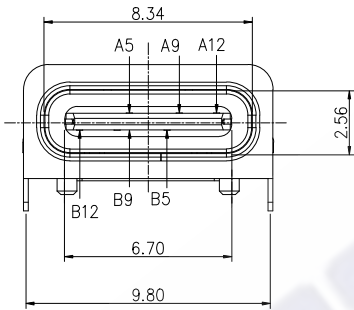


- SPECIFICATIONS:
- ELECTRICAL CHARACTERISTICS:
 - RATING: 3A;
 - CONTACT RESISTANCE: 30 mΩ MAX.(INITIAL);
 - DIELECTRIC WITHSTANDING: 100V AC MIN.;
 - INSULATION RESISTANCE: 100MΩ MIN.;
 - DURABILITY: 5,000 CYCLES MIN.;
 - INSERTION FORCE: 5-20N;
 - EXTRACTION FORCE: 6-20N;
 - WATER PROOFNESS: THIS PRODUCT IS BASED ON IPX6.
 - PLUG INTERFACE DIMENSIONS CONFORM TO USB2.0 SPEC.
 - PACKAGING: TAPE & REEL.

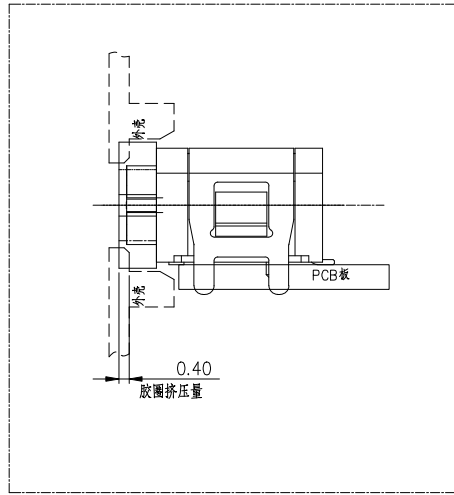


3	Shell	1	SUS304R-1/2H Ni Plating T=0.25mm	
2	Contact	6	Phosphor bronze C5191R-EH Au/Ni Plating T=0.20mm	
1	Housing	1	PA10T (G.F30%)	
ITEM	PART NAME	Q'TY	FINISH	NOTE

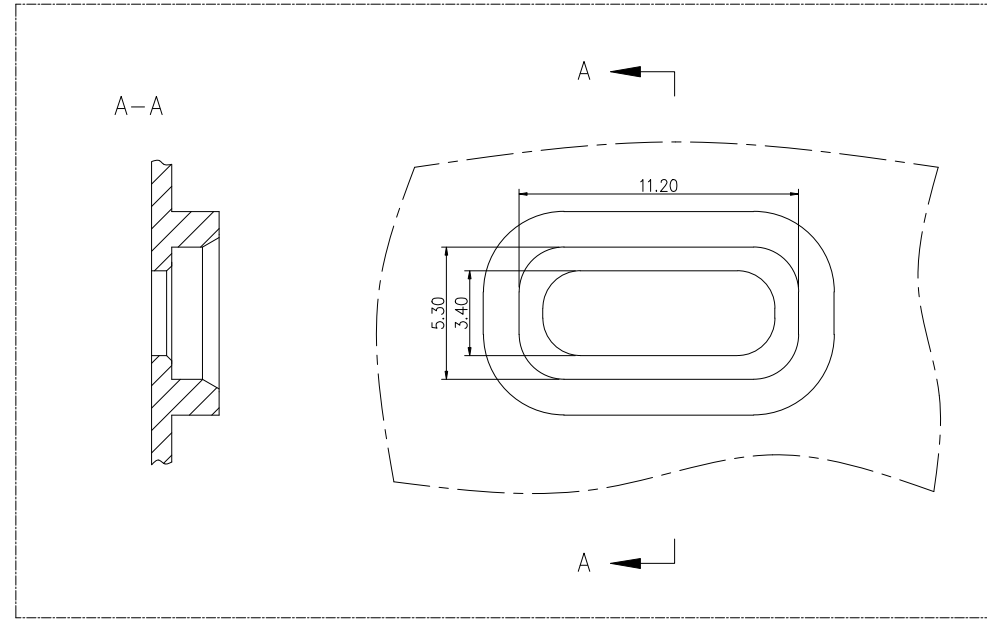
X. ± 0.50	X.' ± 2'	UNITS mm	三佐部品【中国】股份有限公司							
.X ± 0.30	.X' ± 1'									
.XX ± 0.10	.XX' ± 0.5'	MAT'L /	PART NO. MTKEF06WT1ADLNG1X	TITLE: TYPE-C 6PIN 板上四脚插拔防水母座						
.XXX ± 0.05			APPD: RADOM	DWG NO.: MTKEF06WT1ADLNG1X						
The copyright belongs to samzo parts [China] Co., Ltd. please use the material after samzo parts agree to authorize. The final right of interpretation belongs to samzo parts.		FINISH /	CHKD: MARK	<table border="1"> <tr> <td>SCALE</td> <td>SHEET</td> <td>REV.</td> </tr> <tr> <td>1/1</td> <td>1/1</td> <td>A1</td> </tr> </table>	SCALE	SHEET	REV.	1/1	1/1	A1
		SCALE	SHEET		REV.					
1/1	1/1	A1								
		Q'TY /	DR: Steven.Rao 2016/08/08							

A5	CC1	B12	GND
A9	VBUS	B9	VBUS
A12	GND	B5	CC2
PIN	SIGNAL NAME	PIN	SIGNAL NAME

组装示意图



外壳参考设计图



X. ± 0.50	X.' ± 2'	UNITS mm	三佐部品【中国】股份有限公司								
.X ± 0.30	.X' ± 1'										
.XX ± 0.10	.XX' ± 0.5'	MAT'L /	PART NO. MTKEF06WT1ADLNG1X	TITLE: TYPE-C 6PIN 板上四脚插板防水插座							
.XXX ± 0.05			APPD: RADOM	DWG NO.: MTKEF06WT1ADLNG1X							
The copyright belongs to samzo parts [China] Co., Ltd. please use the material after samzo parts agree to authorize. The final right of interpretation belongs to samzo parts.		FINISH /	CHKD: MARK	<table border="1"> <tr> <td>SCALE</td> <td>SHEET</td> <td>REV.</td> </tr> <tr> <td>1/1</td> <td>1/1</td> <td>A1</td> </tr> </table>		SCALE	SHEET	REV.	1/1	1/1	A1
		SCALE	SHEET			REV.					
		1/1	1/1			A1					
Q'TY /	DR: Steven.Rao 2016/08/08										