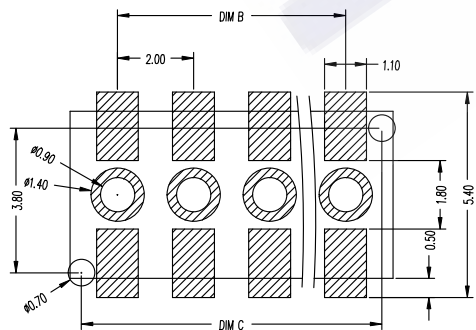
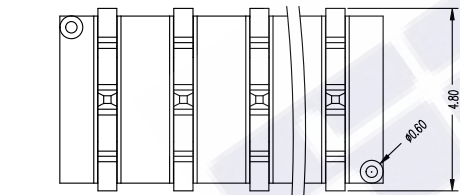
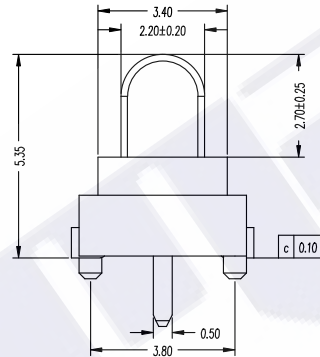
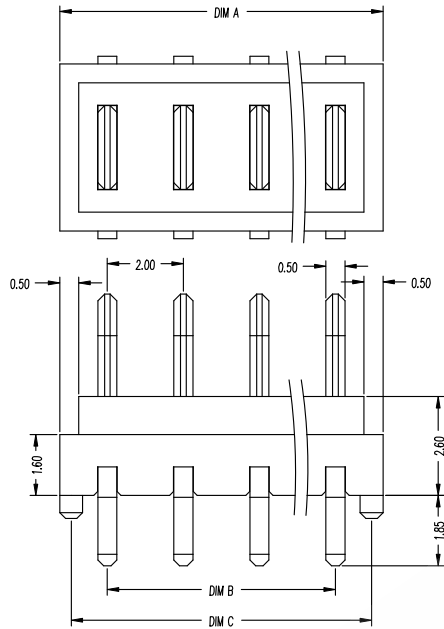
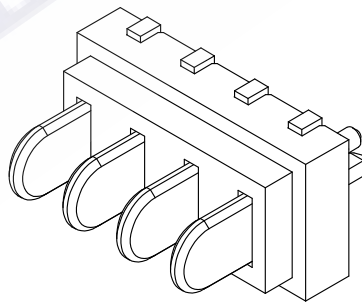


REV.	DESCRIPTION	ECN NO.	DATE	DRAWER



RECOMMENDED PCB LAYOUT  
TOL: (±0.05)



NOTES:

1.Material:

Housing:LCP UL 94V-0,Black

Terminal:Copper Alloy

2.Finish:Plating Gold

3.Specification

Rated Voltage(Max.):30V AC/DC

Dielectric Strength:1KV AC For 1 Minute

Between Adjacent Terminal,No Breakdown

Insulation Resistance:1000 Megohms Min. 500V

DC For 1 Minute Between Adjacent Terminal

Operating Temperature:-20°C-80°C

4.Order information:

DZZE535AKAA0	20.50	18.00	19.90
DZZE535AJAA0	18.50	16.00	17.90
DZZE535AGAA0	16.50	14.00	15.90
DZZE535FAAA0	14.50	12.00	13.90
DZZE535EAA0	12.50	10.00	11.90
DZZE535ADAA0	10.50	8.00	9.90
DZZE535ACAA0	8.50	6.00	7.90
DZZE535ABAA0	6.50	4.00	5.90
DZZE535AAAA0	4.50	2.00	3.90
Be filled	DIMA	DIMB	DIMC

DIMENSION IN mm [inch]		三佐部品【中国】股份有限公司	
Tolerance unless otherwise specified			
X ± --	X.* ± 10'	ITEM : 2.0 Pitch Battery Male	
X.X ± 0.38	X.X.* ± 5'		
X.XX ± 0.25	X.XX.* ± 2'	PART NO: DZZE535A-D-AA0	Scale: 1 : 1
X.XXX ± 0.13	X.XXX.* ± --	DRAW NO: DZZE535	Size: A 4
Approver:		Checker:	Rev : A
		Drawer: KEVIN	Sheet: 1 / 1