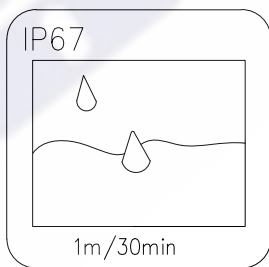


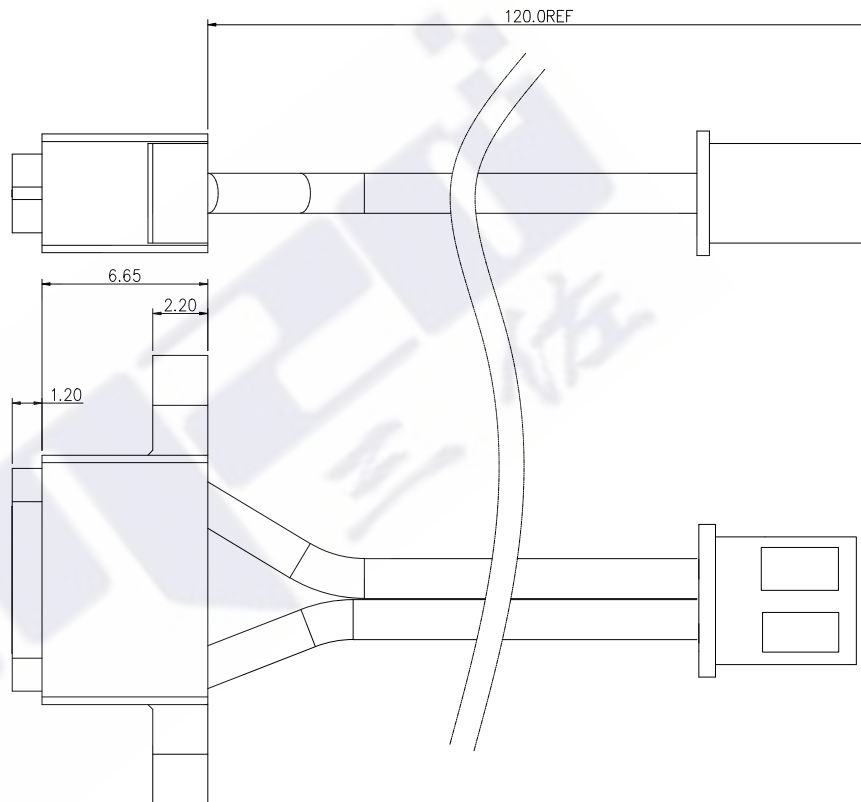
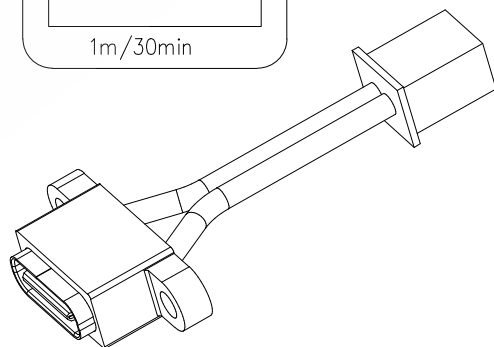
注：防水圈是圆形截面，直径为1.0mm的硅胶圈，防水圈挤压力，由1.0mm挤压到0.5mm ~ 0.6mm，防水效果好



SPECIFICATIONS:

- ELECTRICAL CHARACTERISTICS:
 - RATING: 3A;
 - CONTACT RESISTANCE: 30 mΩ MAX.(INITIAL);
 - DIELECTRIC WITHSTANDING: 100V AC MIN.;
 - INSULATION RESISTANCE: 100MΩ MIN.;
- DURABILITY: 10,000 CYCLES MIN.;
- INSERTION FORCE: 5-25N;
- EXTRACTION FORCE: 6-25N;
- WATER PROOFNESS: THIS PRODUCT IS BASED ON IP67.
- PLUG INTERFACE DIMENSIONS COMFORM TO USB2.0 SPEC.
- PACKAGING: TAPE & REEL.

		B12	GND
A9	VBUS	B9	VBUS
A12	GND		
PIN	SIGNAL NAME	PIN	SIGNAL NAME



黑 负极 A12/B12

红 正极 A9/B9

	线材	1	XH2.54-T 镀锡端子线径1.6mm		
3	Shell	1	SUS304R-1/2H Ni PlatingT=0.25mm		
2	Contact	6	Phosphor bronze C5191R-EH Au/Ni Plating T=0.20mm		
1	Housing	1	PA10T (G.F30%)		
ITEM	PART NAME	Q'TY	FINISH		NOTE
X.	± 0.50	X.*	± 2*		UNITS mm
.X	± 0.30	.X*	± 1*		
.XX	± 0.10	.XX*	± 0.5*		
.XXX	± 0.05				
			MAT'L	PART NO. MTKEF02HX1AWWNPP	
			FINISH	APPD: RADOM	
			Q'TY	CHKD: MARK	
			DR: Steven.Rao 2016/08/08		TITLE: TYPE-C 数据线
			The copyright belongs to samzo parts [China] Co., Ltd. please use the material after samzo parts agree to authorize. The final right of interpretation belongs to samzo parts.		DWG NO.: MTKEF02HX1AWWNPP
					SCALE SHEET REV. 1/1 1/1 A1

三佐部品【中国】股份有限公司