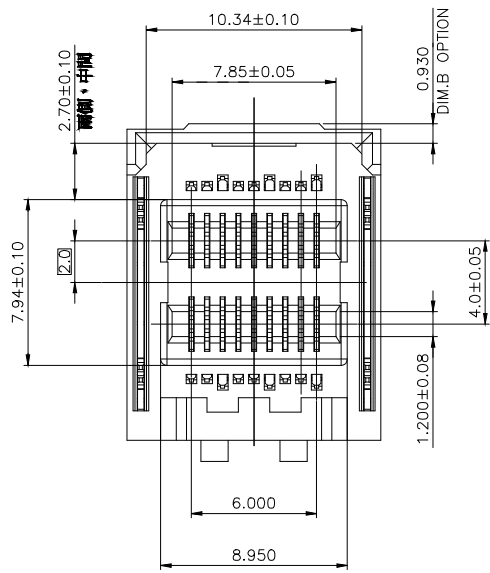


REV.	DESCRIPTION	CHECKED	APPROVED	DATE
A	NEW RELEASED	Bengi Liao	Garylee Li	01/16' 24



NOTES:

1. UNLESS OTHERWISE SPECIFIED, ALL TOLERANCES FOLLOW DRAWING COMMON STANDARD.

2. PART NO. DESCRIPTION :

1 3 8 A 0 1 - X 1 X X X X - X X - R

NUMBER OF PORT :

01..... 1X1 PORT

LATCH OPTION :

0..... 3.42mm

1..... 3.98mm

2..... 2.40mm

3..... 3.59mm

TYPE OPTION :

1..... DOUBL WALL

IMPEDANCE OPTION :

0..... 100 ohm

(HOUSING COLOR: BLACK)

1..... 85 ohm

(HOUSING COLOR: NATURAL)

ROHS (NON HALOGEN)

CONTACT PLATING OPTION :

A9..... Au 0.076μm [3μ"] OVER Pd/Ni 0.684μm [27μ"] UNDER PLATING

SOLDERING AREA TIN(MATTE) 100~200μ"

OVER ALL 50~150μ" NICKEL UNDER PLATING

M9..... CONTACT AREA GOLD PLATED 0.76μm [30μ"]

SOLDERING AREA TIN(MATTE) 100~200μ"

OVER ALL 50~150μ" NICKEL UNDER PLATING

LOGO OPTION :

0..... NO LOGO

A..... STARCONN LOGO

DIM.B OPTION :

0..... 0.93mm

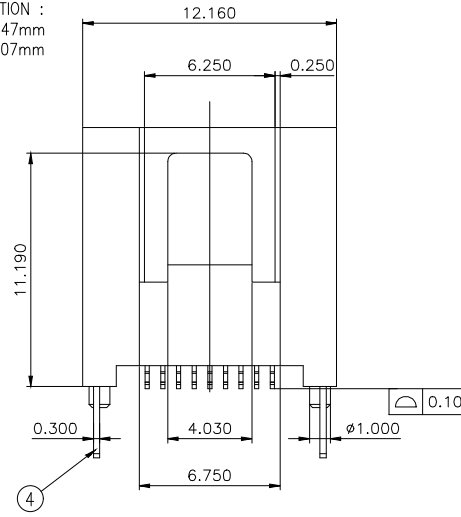
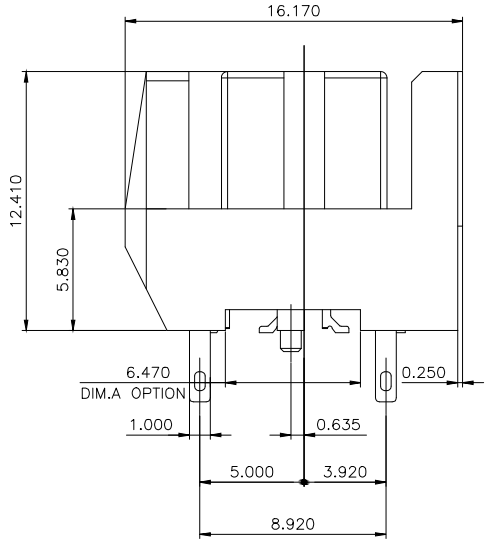
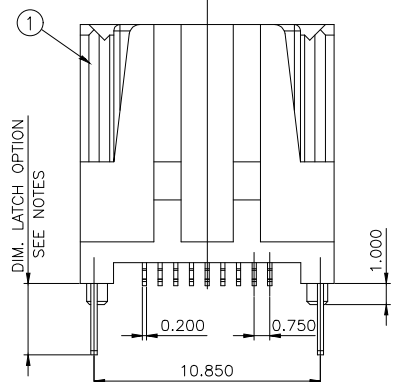
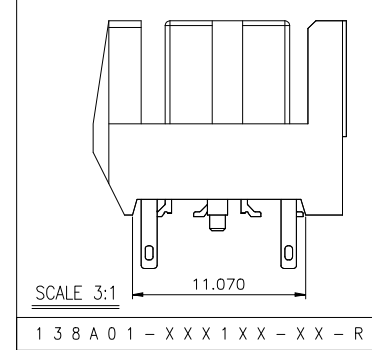
1..... 1.44mm

DIM.A OPTION :

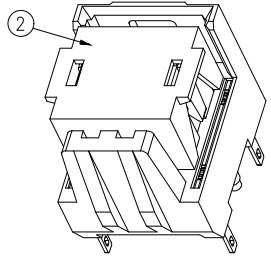
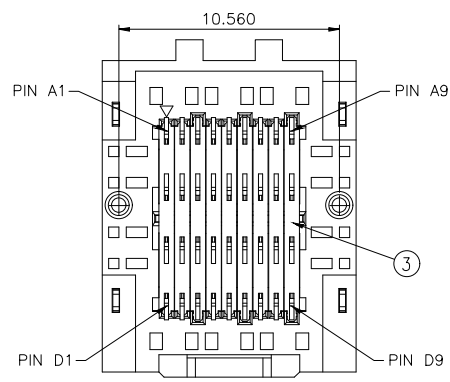
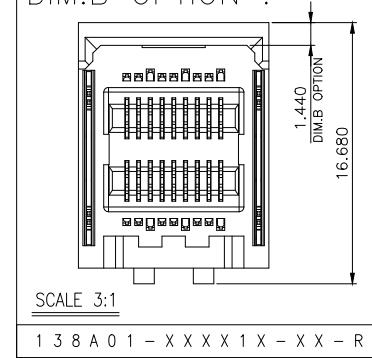
0..... 6.47mm

1..... 11.07mm

DIM.A OPTION :



DIM.B OPTION :



NO.	DESCRIPTION	QTY.	MATERIAL	FINISH/COLOR
4	LATCH	2	STAINLESS STEEL	TIN(MATTE)100~200μ"
3	CONTACT	36	COPPER ALLOY	SEE NOTES
	INSERT MOLDING	9	L.C.P GLASS REINFORCED , UL94 V-0	SEE NOTES
2	CAP	1	L.C.P GLASS REINFORCED , UL94 V-0	BLACK
1	HOUSING	1	L.C.P GLASS REINFORCED , UL94 V-0	SEE NOTES

**Guangdong MZF Interconnection co., LTD.**

GENERAL TOLERANCES (UNLESS SPECIFIED)

.X ± 0.35	X.° ± 5°	PART NO.	TITLE:		
.XX ± 0.25	.X° ± 2°	138A01-X1XXXX-XX-R	MINI SAS HD CONN		
.XXX ± 0.15	.XX° ± 1°	APPROVED: Garylee Li	CUSTOMER NO. /		
ECN NO. /	CHECKED: Bengi Liao	DRAWN: Gary Qiu			
SIZE UNIT	A4 mm	SCALE	1:1	SHEET	1/1
		REV.	A		