

# ECS-P-122X169-S-UV1-1M12 - Front plate



2230009

<https://www.phoenixcontact.com/us/products/2230009>

Please be informed that the data shown in this PDF document is generated from our online catalog. Please find the complete data in the user documentation. Our general terms of use for downloads are valid.

Screw locking one female M12-SPEEDCON faceplate of the ECS Family. IP66/67/69 rated when mated with associated enclosure.  
Color: Black (9005), Width: 163 mm, Height: 30 mm, Depth: 62 mm

## Your advantages

- Housing design supports the installation of a range of PCB thicknesses for high application diversity
- Optional accessories for wall and mast mounting
- Proven PCB connection technology
- Integrated tamper protection
- Effective protection of electronics against thermal and mechanical influences
- Suitable for outdoor/indoor applications

## Commercial data

Item number	2230009
Packing unit	1 pc
Sales key	AC04
Product key	ACFDAB
GTIN	4055626381442
Weight per piece (including packing)	123.74 g
Weight per piece (excluding packing)	123 g
Customs tariff number	84879090
Country of origin	US

# ECS-P-122X169-S-UV1-1M12 - Front plate



2230009

<https://www.phoenixcontact.com/us/products/2230009>

## Technical data

### Notes

General	Refer to the data sheet for the range in the download area.
---------	---

### Product properties

Product type	Front plate
Housing type	outdoor housings
Housing series	ECS

### Dimensions

Dimensional drawing	
Width	163 mm
Height	30 mm
Depth	62 mm

### PCB design

PCB thickness	1.57 mm ... 2.36 mm
---------------	---------------------

### Material specifications

Color	black (9005)
Flammability rating according to UL 94	V0
Surface characteristics	untreated
Impact strength	IK08
Housing material	PC (polycarbonate)

### Environmental and real-life conditions

#### Vibration test

Specification	IEC 60068-2-6:2007-12
Frequency	10 - 2000 - 10 Hz
Sweep speed	1 octave/min
Acceleration	15g (61.6 Hz ... 2000 Hz)
Test duration per axis	2.5 h
Test directions	X-, Y- and Z-axis

#### Glow-wire test

Specification	IEC 60695-2-11:2014-02
Temperature	850 °C
Time of exposure	30 s

#### Mechanical strength / tumbling barrel

Specification	IEC 60068-2-31:2008-05
Height of fall	50 cm
Frequency	50

# ECS-P-122X169-S-UV1-1M12 - Front plate



2230009

<https://www.phoenixcontact.com/us/products/2230009>

## Shocks

Specification	IEC 60068-2-27:2008-02
Pulse shape	Semi-sinusoidal
Acceleration	50g
Shock duration	11 ms
Number of shocks per direction	3
Test directions	X-, Y- and Z-axis (pos. and neg.)

## Salt spray test

Specification	DIN EN 60068-2-11:2000-02
Test duration	96 h

## Test for substances that would hinder coating with paint or varnish

Specification	VDMA 24364:2018-05
Result	Test passed

## Degree of protection (IP code)

Specification	IEC 60529:1989-11 + AMD 1:1999-11 + AMD 2:2013-08
Result, degree of protection, IP code	IP66/IP68 (2 m/24 h)

## Ambient conditions

Degree of protection	IP66/IP67
Max. NEMA code to attain	6
Impact strength	IK08
Ambient temperature (operation)	-40 °C ... 100 °C
Ambient temperature (storage/transport)	-40 °C ... 100 °C

## PCB data

Number of PCB holders	1
Thickness of the PCB	1.57 mm ... 2.36 mm

## Mounting

Mounting type	Screw locking mechanism
---------------	-------------------------

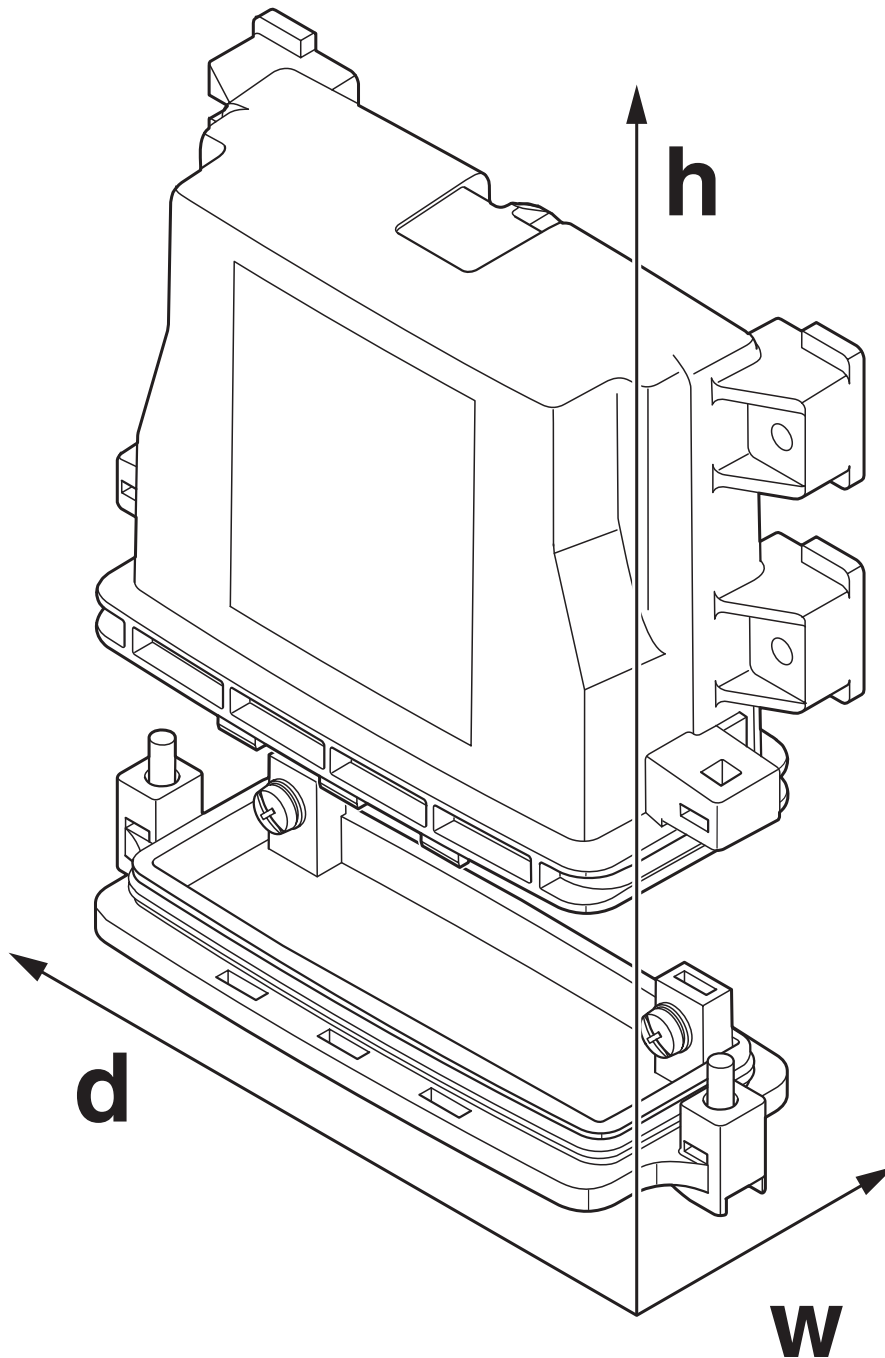
# ECS-P-122X169-S-UV1-1M12 - Front plate

2230009

<https://www.phoenixcontact.com/us/products/2230009>

## Drawings

Dimensional drawing



Schematic figure for illustrating the item dimensions. The figure is not of the desired product. For further details, refer to the product drawings in the "Downloads" tab.

# ECS-P-122X169-S-UV1-1M12 - Front plate



2230009

<https://www.phoenixcontact.com/us/products/2230009>

## Classifications

### ECLASS

ECLASS-11.0	27182702
ECLASS-13.0	27190603

### ETIM

ETIM 9.0	EC001031
----------	----------

### UNSPSC

UNSPSC 21.0	31261500
-------------	----------

# ECS-P-122X169-S-UV1-1M12 - Front plate



2230009

<https://www.phoenixcontact.com/us/products/2230009>

## Environmental product compliance

REACH SVHC	Lead 7439-92-1
China RoHS	Environmentally Friendly Use Period = 50 years
	For information on hazardous substances, refer to the manufacturer's declaration available under "Downloads"

# ECS-P-122X169-S-UV1-1M12 - Front plate

2230009

<https://www.phoenixcontact.com/us/products/2230009>



## Mandatory accessories

### ECS-B-122X169-S-UV1-V - Electronic housing

2230002

<https://www.phoenixcontact.com/us/products/2230002>

Screw locking vented enclosure of the ECS Family. IP66/67/69 rated when mated with associated faceplate. Color: Black (9005), Width: 164 mm, Height: 176 mm, Depth: 64 mm

---

### ECS-B-122X169-S-UV1-NV - Electronic housing

2230003

<https://www.phoenixcontact.com/us/products/2230003>

Screw locking non-vented enclosure of the ECS family. IP66/67/69 rated when mated with associated faceplate. Color: Black (9005), Width: 164 mm, Height: 176 mm, Depth: 64 mm

---

### ECS-B-122X109-S-UV1-V - Electronic housing

1054710

<https://www.phoenixcontact.com/us/products/1054710>

Screw locking vented enclosure of the ECS Family. IP66/67/69 rated when mated with associated faceplate. Color: Black (9005), Width: 164 mm, Height: 116 mm, Depth: 64 mm

---

# ECS-P-122X169-S-UV1-1M12 - Front plate

2230009

<https://www.phoenixcontact.com/us/products/2230009>



## ECS-B-122X109-S-UV1-NV - Electronic housing

1054711

<https://www.phoenixcontact.com/us/products/1054711>

Screw locking non-vented enclosure of the ECS family. IP66/67/69 rated when mated with associated faceplate. Color: Black (9005), Width: 164 mm, Height: 116 mm, Depth: 64 mm

---

## Accessories

### SACC-CI-M12FS-4CON-L 90 SH SCO - Contact carrier

1432444

<https://www.phoenixcontact.com/us/products/1432444>

Contact carrier, 4-position, Socket, angled, M12-SPEEDCON, coding: A, PCB mounting, Wave soldering, Alternative product in accordance with RoHS II without Exemption 6c (Pb <0.1%) item no.: 1239612

---

### SACC-CI-M12FS-4CON-L90 SCO - Contact carrier

1436628

<https://www.phoenixcontact.com/us/products/1436628>

Contact carrier, 4-position, Socket, angled, M12-SPEEDCON, coding: A, PCB mounting, Wave soldering, Alternative product in accordance with RoHS II without Exemption 6c (Pb <0.1%) item no.: 1239625



# ECS-P-122X169-S-UV1-1M12 - Front plate

2230009

<https://www.phoenixcontact.com/us/products/2230009>



## SACC-CI-M12FSD-4CON-L90 SCO - Contact carrier

1432457

<https://www.phoenixcontact.com/us/products/1432457>

Contact carrier, Ethernet/PROFINET CAT5 (100 Mbps), 4-position, Socket, angled, M12-SPEEDCON, coding: D, PCB mounting, Wave soldering, Alternative product in accordance with RoHS II without Exemption 6c (Pb <0.1%) item no.: 1237421

---

## SACC-CI-FS-5CON-L 90 SH SCO - Contact carrier

1432431

<https://www.phoenixcontact.com/us/products/1432431>

Contact carrier, 5-position, Socket, angled, M12-SPEEDCON, coding: A, PCB mounting, Wave soldering, Alternative product in accordance with RoHS II without Exemption 6c (Pb <0.1%) item no.: 1239611

---

## SACC-CI-M12FS-5CON-L90 SCO - Contact carrier

1436644

<https://www.phoenixcontact.com/us/products/1436644>

Sensor/actuator flush-type connector, socket, 5-pos., A-coded, with angled solder connection, only contact insert

---

# ECS-P-122X169-S-UV1-1M12 - Front plate



2230009

<https://www.phoenixcontact.com/us/products/2230009>

## SACC-CI-M12FS-8CON-L90 SH SCO - Contact carrier

1437009

<https://www.phoenixcontact.com/us/products/1437009>

Contact carrier, 8-position, Socket, angled, M12-SPEEDCON, coding: A, PCB mounting, Wave soldering, Alternative product in accordance with RoHS II without Exemption 6c (Pb <0.1%) item no.: 1239641

---

## SACC-CI-M12FS-8CON-L90 SCO - Contact carrier

1436990

<https://www.phoenixcontact.com/us/products/1436990>

Contact carrier, 8-position, Socket, angled, M12-SPEEDCON, coding: A, PCB mounting, Wave soldering, Alternative product in accordance with RoHS II without Exemption 6c (Pb <0.1%) item no.: 1239640

---

## SACC-CI-M12FS-12CON-L90 SH - Contact carrier

1424199

<https://www.phoenixcontact.com/us/products/1424199>

Contact carrier, 12-position, Socket, angled, M12, coding: A, PCB mounting, Wave soldering, Alternative product in accordance with RoHS II without Exemption 6c (Pb <0.1%) item no.: 1239456

---

# ECS-P-122X169-S-UV1-1M12 - Front plate

2230009

<https://www.phoenixcontact.com/us/products/2230009>



## SACC-CI-M12FS-12CON-L90 - Contact carrier

1424195

<https://www.phoenixcontact.com/us/products/1424195>

Contact carrier, 12-position, Socket, angled, M12, coding: A, PCB mounting, Wave soldering, Alternative product in accordance with RoHS II without Exemption 6c (Pb <0.1%) item no.: 1239452

---

## SACC-CI-M12FS-17CON-L90 SH - Contact carrier

1424201

<https://www.phoenixcontact.com/us/products/1424201>

Contact carrier, 17-position, Socket, angled, M12, coding: A, PCB mounting, Wave soldering, Alternative product in accordance with RoHS II without Exemption 6c (Pb <0.1%) item no.: 1239458

---

## SACC-CI-M12FS-17CON-L90 - Contact carrier

1424197

<https://www.phoenixcontact.com/us/products/1424197>

Contact carrier, 17-position, Socket, angled, M12, coding: A, PCB mounting, Wave soldering, Alternative product in accordance with RoHS II without Exemption 6c (Pb <0.1%) item no.: 1239454

---

# ECS-P-122X169-S-UV1-1M12 - Front plate

2230009

<https://www.phoenixcontact.com/us/products/2230009>



## SACC-CI-M12FSY-8CON-L90 - Contact carrier

1424193

<https://www.phoenixcontact.com/us/products/1424193>

Contact carrier CAT 5  
(IEC 11801:2002), 8-position, Socket,  
angled, M12, coding: Y, PCB  
mounting, Wave soldering, Alternative  
product in accordance with RoHS II  
without Exemption 6c (Pb <0.1%) item  
no.: 1239450

---

## PROT-M12 - Screw plug

1680539

<https://www.phoenixcontact.com/us/products/1680539>



An M12 screw plug for the unoccupied M12 sockets of the sensor/actuator cable,  
boxes and flush-type connectors

# ECS-P-122X169-S-UV1-1M12 - Front plate

2230009

<https://www.phoenixcontact.com/us/products/2230009>

## PROT-M12 SH - Screw plug

1503302

<https://www.phoenixcontact.com/us/products/1503302>



An M12 screw plug for the unoccupied M12 sockets of the shielded sensor/actuator cable, boxes and flush-type connectors

---

## SACC-CI-M12FSX-8CON-L90 - Contact carrier

1424180

<https://www.phoenixcontact.com/us/products/1424180>

Contact carrier, Ethernet CAT6<sub>A</sub> (10 Gbps), 8-position, Socket, angled, M12, coding: X, PCB mounting, Wave soldering, Alternative product in accordance with RoHS II without Exemption 6c (Pb <0.1%) item no.: 1237389

# ECS-P-122X169-S-UV1-1M12 - Front plate



2230009

<https://www.phoenixcontact.com/us/products/2230009>

## SZS 1,0X6,5 VDE - Screwdriver

1205079

<https://www.phoenixcontact.com/us/products/1205079>



Screwdriver, slot-headed, VDE insulated, size: 1.0 x 6.5 x 150 mm, 2-component grip, with non-slip grip

---

## SF-TXH 20X100 - Screwdriver

1200151

<https://www.phoenixcontact.com/us/products/1200151>



Screwdriver, Torx<sup>®</sup> with bore hole, TX 20 x 100, two-component handle

---

Phoenix Contact 2024 © - all rights reserved  
<https://www.phoenixcontact.com>

Phoenix Contact USA  
586 Fulling Mill Road  
Middletown, PA 17057, United States  
(+717) 944-1300  
[info@phoenixcon.com](mailto:info@phoenixcon.com)