

ECS-B-122X169-S-UV1-V - Electronic housing



2230002

<https://www.phoenixcontact.com/us/products/2230002>

Please be informed that the data shown in this PDF document is generated from our online catalog. Please find the complete data in the user documentation. Our general terms of use for downloads are valid.

Screw locking vented enclosure of the ECS Family. IP66/67/69 rated when mated with associated faceplate. Color: Black (9005), Width: 164 mm, Height: 176 mm, Depth: 64 mm

Your advantages

- Housing design supports the installation of a range of PCB thicknesses for high application diversity
- Integrated pressure compensation membrane for fluctuating ambient pressures
- Optional accessories for wall and mast mounting
- Proven PCB connection technology
- Integrated tamper protection
- Effective protection of electronics against thermal and mechanical influences
- Suitable for outdoor/indoor applications

Commercial data

Item number	2230002
Packing unit	1 pc
Sales key	AC04
Product key	ACFDAA
GTIN	4055626381350
Weight per piece (including packing)	261 g
Weight per piece (excluding packing)	348 g
Customs tariff number	84879090
Country of origin	US

Technical data

Notes

General	Refer to the data sheet for the range in the download area.
---------	---

Product properties

Product type	Housing
Type	integrated pressure compensation membrane
Housing type	outdoor housings
Ventilation openings present	yes
Housing series	ECS
Ventilation	integrated pressure compensation membrane

Dimensions

Dimensional drawing	
Width	164 mm
Height	176 mm
Depth	64 mm

PCB design

PCB thickness	1.57 mm ... 2.36 mm
---------------	---------------------

Material specifications

Color	black (9005)
Flammability rating according to UL 94	V0
Surface characteristics	untreated
Impact strength	IK08
Housing material	PC (polycarbonate)

Environmental and real-life conditions

Vibration test

Specification	IEC 60068-2-6:2007-12
Frequency	10 - 2000 - 10 Hz
Sweep speed	1 octave/min
Acceleration	15g (61.6 Hz ... 2000 Hz)
Test duration per axis	2.5 h
Test directions	X-, Y- and Z-axis

Glow-wire test

Specification	IEC 60695-2-11:2014-02
Temperature	850 °C
Time of exposure	30 s

Mechanical strength / tumbling barrel

Specification	IEC 60068-2-31:2008-05
---------------	------------------------

ECS-B-122X169-S-UV1-V - Electronic housing



2230002

<https://www.phoenixcontact.com/us/products/2230002>

Height of fall	50 cm
Frequency	50

Shocks

Specification	IEC 60068-2-27:2008-02
Pulse shape	Semi-sinusoidal
Acceleration	50g
Shock duration	11 ms
Number of shocks per direction	3
Test directions	X-, Y- and Z-axis (pos. and neg.)

Salt spray test

Specification	DIN EN 60068-2-11:2000-02
Test duration	96 h

Test for substances that would hinder coating with paint or varnish

Specification	VDMA 24364:2018-05
Result	Test passed

Degree of protection (IP code)

Specification	IEC 60529:1989-11 + AMD 1:1999-11 + AMD 2:2013-08
Result, degree of protection, IP code	IP66/IP68 (2 m/24 h)

Ambient conditions

Degree of protection	IP66/IP67
Max. NEMA code to attain	6
Impact strength	IK08
Ambient temperature (operation)	-40 °C ... 100 °C
Ambient temperature (storage/transport)	-40 °C ... 100 °C

PCB data

Number of PCB holders	1
Thickness of the PCB	1.57 mm ... 2.36 mm

Mounting

Mounting type	Wall or panel mount. Pole mount with accessory.
---------------	---

ECS-B-122X169-S-UV1-V - Electronic housing

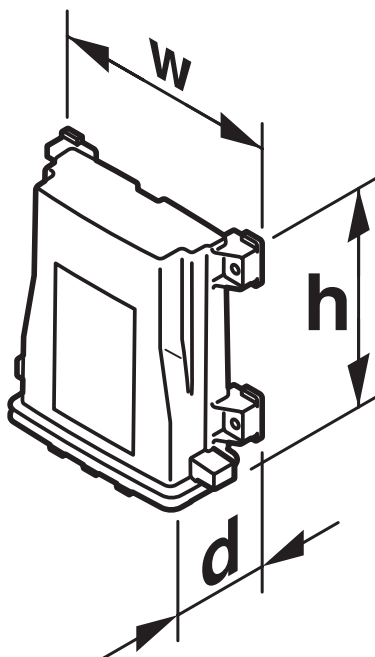
2230002

<https://www.phoenixcontact.com/us/products/2230002>



Drawings

Dimensional drawing



2230002

<https://www.phoenixcontact.com/us/products/2230002>

Classifications

ECLASS

ECLASS-11.0	27182702
ECLASS-13.0	27190601

ETIM

ETIM 9.0	EC001031
----------	----------

UNSPSC

UNSPSC 21.0	31261500
-------------	----------

ECS-B-122X169-S-UV1-V - Electronic housing



2230002

<https://www.phoenixcontact.com/us/products/2230002>

Environmental product compliance

China RoHS	Environmentally friendly use period: unlimited = EFUP-e
	No hazardous substances above threshold values

ECS-B-122X169-S-UV1-V - Electronic housing



2230002

<https://www.phoenixcontact.com/us/products/2230002>

Mandatory accessories

ECS-P-122X169-S-UV1-B - Front plate

2230008

<https://www.phoenixcontact.com/us/products/2230008>

Screw locking blank faceplate of the ECS Family. IP66/67/69 rated when mated with associated enclosure. Color: Black (9005), Width: 163 mm, Height: 30 mm, Depth: 62 mm

ECS-P-122X169-S-UV1-1M12 - Front plate

2230009

<https://www.phoenixcontact.com/us/products/2230009>

Screw locking one female M12-SPEEDCON faceplate of the ECS Family. IP66/67/69 rated when mated with associated enclosure. Color: Black (9005), Width: 163 mm, Height: 30 mm, Depth: 62 mm

ECS-P-122X169-S-UV1-2M12 - Front plate

2230010

<https://www.phoenixcontact.com/us/products/2230010>

Screw locking two female M12-SPEEDCON faceplate of the ECS Family. IP66/67/69 rated when mated with associated enclosure. Color: Black (9005), Width: 163 mm, Height: 30 mm, Depth: 62 mm

ECS-B-122X169-S-UV1-V - Electronic housing

2230002

<https://www.phoenixcontact.com/us/products/2230002>



ECS-P-122X169-S-UV1-CG - Front plate

2230011

<https://www.phoenixcontact.com/us/products/2230011>

Screw locking cable gland faceplate of the ECS Family. IP66/67/69 rated when mated with associated enclosure. Color: Black (9005), Width: 163 mm, Height: 30 mm, Depth: 62 mm

ECS-P-122X169-S-UV1-1M1FM12 - Front plate

1091841

<https://www.phoenixcontact.com/us/products/1091841>

Screw-locking faceplate with M12-SPEEDCON connectors (1 male, 1 female), IP66/67/69 rated when mated with associated enclosure, width: 163 mm, height: 30 mm, depth: 62 mm, color: black (9005).

ECS-P-122X169-S-UV1-2RJ45 - Front plate

1143740

<https://www.phoenixcontact.com/us/products/1143740>

ECS family faceplate, ready for integration of two VARIOSUB RJ45 VS-08 connectors, screw locking, rated IP66/67/69 when combined with ECS housing, Color: Black (9005), Width: 163 mm, Height: 30 mm, Depth: 62 mm

ECS-B-122X169-S-UV1-V - Electronic housing

2230002

<https://www.phoenixcontact.com/us/products/2230002>



ECS-P-122X169-S-UV1-1RJ45 - Front plate

1143761

<https://www.phoenixcontact.com/us/products/1143761>

ECS family faceplate, ready for integration of one VARIOSUB RJ45 VS-08 connector, screw locking, rated IP66/67/69 when combined with ECS housing, Color: Black (9005), Width: 163 mm, Height: 30 mm, Depth: 62 mm

ECS-P-122X169-S-UV1-VSDSUB25 - Front plate

1143766

<https://www.phoenixcontact.com/us/products/1143766>

ECS family faceplate, ready for integration of one D-SUB 25 connector, screw locking, rated IP66/67/69 when combined with ECS housing, Color: Black (9005), Width: 163 mm, Height: 30 mm, Depth: 62 mm

ECS-P-122X169-S-UV1-1PRC5 - Front plate

1143768

<https://www.phoenixcontact.com/us/products/1143768>

ECS family faceplate, ready for integration of one PV PRC5 connector, screw locking, rated IP66/67/69 when combined with ECS housing, Color: Black (9005), Width: 163 mm, Height: 30 mm, Depth: 62 mm

ECS-B-122X169-S-UV1-V - Electronic housing

2230002

<https://www.phoenixcontact.com/us/products/2230002>



ECS-P-122X169-S-UV1-2PV - Front plate

1143769

<https://www.phoenixcontact.com/us/products/1143769>

ECS family faceplate, ready for integration of one SUNCLIX PV-FT-C3 male and female connectors, screw locking, rated IP66/67/69 when combined with ECS housing, Color: Black (9005), Width: 163 mm, Height: 30 mm, Depth: 62 mm

ECS-P-122X169-S-UV1-VC4AML2/6 - Front plate

1143770

<https://www.phoenixcontact.com/us/products/1143770>

ECS family faceplate, ready for integration of one modular rectangular connector Variocon VC4, screw locking, rated IP66/67/69 when combined with ECS housing, Color: Black (9005), Width: 163 mm, Height: 30 mm, Depth: 62 mm

ECS-P-122X169-S-UV1-2PRC5 - Front plate

1143771

<https://www.phoenixcontact.com/us/products/1143771>

ECS family faceplate, ready for integration of two PV PRC5 connectors, screw locking, rated IP66/67/69 when combined with ECS housing, Color: Black (9005), Width: 163 mm, Height: 30 mm, Depth: 62 mm

ECS-B-122X169-S-UV1-V - Electronic housing

2230002

<https://www.phoenixcontact.com/us/products/2230002>



ECS-P-122X169-S-UV1-VC3AML4/8 - Front plate

1143773

<https://www.phoenixcontact.com/us/products/1143773>

ECS family faceplate, ready for integration of one modular rectangular connector Variocon VC3, screw locking, rated IP66/67/69 when combined with ECS housing, Color: Black (9005), Width: 163 mm, Height: 30 mm, Depth: 62 mm

Accessories

SF-TXH 20X100 - Screwdriver

1200151

<https://www.phoenixcontact.com/us/products/1200151>



Screwdriver, Torx[®] with bore hole, TX 20 x 100, two-component handle

ECS-PCB - PCB

1004300

<https://www.phoenixcontact.com/us/products/1004300>

Printed-circuit board

ECS-B-122X169-S-UV1-V - Electronic housing



2230002

<https://www.phoenixcontact.com/us/products/2230002>

WT-STEEL SH 4,6X150 - Cable tie

3240820

<https://www.phoenixcontact.com/us/products/3240820>



Cable binders, made from rust-free stainless steel (AISI 316), suitable for the harshest of ambient conditions (for example, salt water), with ball lock, for quick and secure bundling and fastening

HS LC-V-T-D4X5,2S-45 - Fiber optic

1082300

<https://www.phoenixcontact.com/us/products/1082300>

Vertical 4 mm light guide, transparent, with spherical 5.2 mm raised head, assembly for wall thicknesses from 1 mm, made of polycarbonate (UL 94-V0), installation length 45 mm, watertight, IP68 (EN 50529)

HS LCA-RGB-10X5-L - Signal light

1082299

<https://www.phoenixcontact.com/us/products/1082299>

10 mm signal light with SMD-LED 5 mm (color: RGB) for assembly on wall thicknesses from 1.5 mm. Black housing made of polycarbonate (UL 94-V0) with four 94 mm tin-plated free wire ends, watertight IP68 (EN 60529)

ECS-B-122X169-S-UV1-V - Electronic housing

2230002

<https://www.phoenixcontact.com/us/products/2230002>



HS LC-F-T6X3-150 - Fiber optic

1082301

<https://www.phoenixcontact.com/us/products/1082301>

Flexible light guide, transparent 3 mm made of PMMA (UL 94-V0) with 6 mm lens, made of crystal-clear polycarbonate and 6x6 mm LED housing, black polycarbonate PC (UL 94), length: 150 mm unmounted, for SMD TOPLEDs

SEALING PLUG 9X16 RD - Closing cap

1400259

<https://www.phoenixcontact.com/us/products/1400259>

Closing cap, color: red



ECS-B-122X169-S-UV1-V - Electronic housing



2230002

<https://www.phoenixcontact.com/us/products/2230002>

PROT-M12 - Screw plug

1680539

<https://www.phoenixcontact.com/us/products/1680539>



An M12 screw plug for the unoccupied M12 sockets of the sensor/actuator cable, boxes and flush-type connectors

ECS-BL - Safety clip

2230012

<https://www.phoenixcontact.com/us/products/2230012>

PCB safety clip

ECS-PM - Mounting bracket

2230013

<https://www.phoenixcontact.com/us/products/2230013>

Mounting set for mast mounting

Phoenix Contact 2024 © - all rights reserved

<https://www.phoenixcontact.com>

Phoenix Contact USA
586 Fulling Mill Road
Middletown, PA 17057, United States
(+717) 944-1300
info@phoenixcon.com