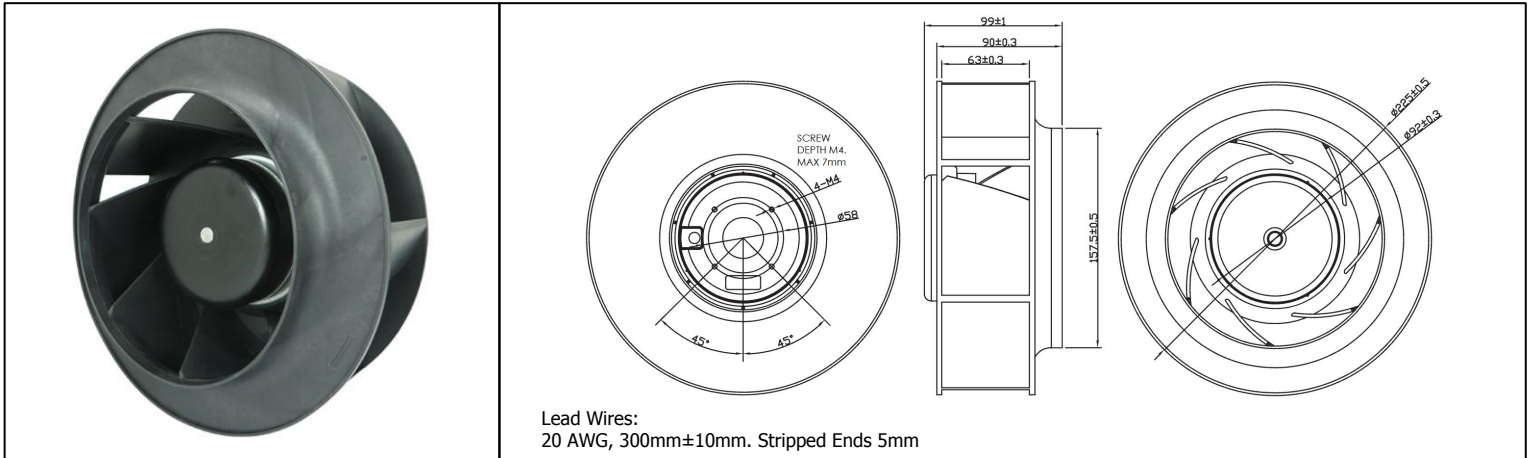


ODB22599 Series



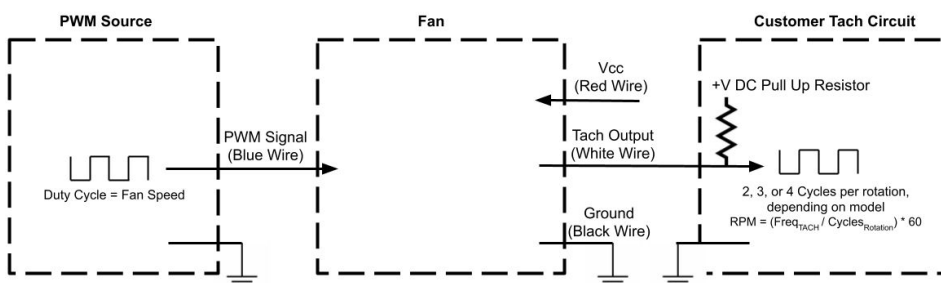
DC Motorized Impellers - 24, 48V
225mm x 99mm (8.85" x 3.90")



Lead Wires:
20 AWG, 300mm±10mm. Stripped Ends 5mm

Frame	Die Cast Aluminum	Operating Temperature -10°C ~ +60°C	
Impeller	PA66, UL94 V-0 plastic	Storage Temperature -40°C ~ +75°C	
Connection	4x Lead Wires*, 20 AWG	Life Expectancy 50,000 Hours (L10 at 25°C)	
Motor	Brushless DC, Auto Cutoff, Auto Restart, Electronically Protected, Polarity Protected	Other Available Options Alarm Output Other Speeds Available	
Bearing System	Ball Bearings	Lead Wire Colors: Red (DC+), Black (DC-), White (Tach Out), Blue (PWM Input)	
Dielectric Strength	500VDC/min, <1mA	Weight: 3.31 lbs	
Insulation Resistance	≥10MΩ @ 500 VDC		

Part Number	Rated Voltage (Volts DC)	Voltage Range (Volts DC)	Input Power (Watts)	Rated Current (Amps)	Rated Speed (RPM)	Max Airflow (CFM)	Noise Level (dBA)	Max Static Pressure ("H ₂ O)
ODB22599-24HB10A	24	22 ~ 26.4	110.4	4.6	2500	835	67.4	2.05"
ODB22599-48HB10A	48	44 ~ 52.6	110.4	2.3	2500	835	67.4	2.05"



PWM Input Voltage: 10V±0.5
 PWM Max Sink Current: 8mA
 PWM Frequency Range: 1KHz-25KHz
 PWM Typical Frequency: 25KHz
 RPM at 0% Duty Cycle: 0 RPM
 RPM will be full speed if PWM input is disconnected.
 Tach Max Pullup Voltage: Fan +Vcc
 Tach Max Sink Current: 5mA
 Tach Cycles per rotation: 3