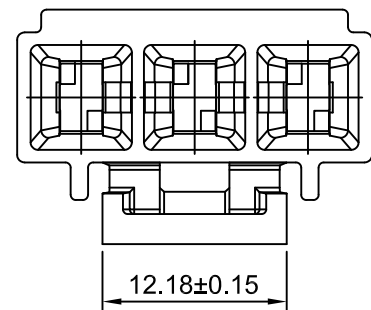
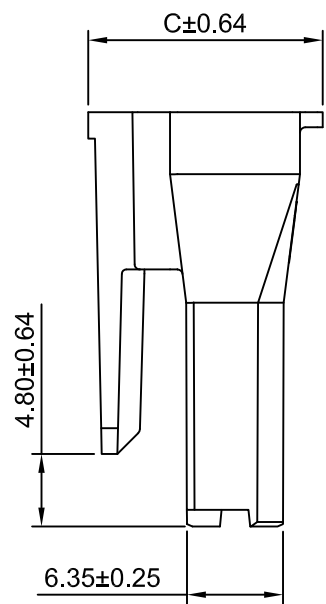
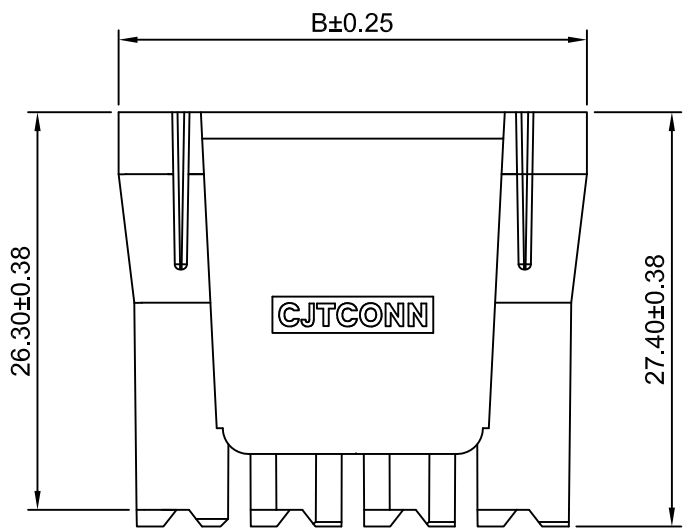


4P~6P,8P



2P~3P



Ordering Information:

A7501HFA-XP - ***
1 2

1.Part NO.

2.Material:

(Blank): Nylon 66,UL94V-0

V2: Nylon 66,UL94V-2

GWT: Nylon 66,UL94V-0,

IEC 60335-1,5th Edition

Glow Wire Capable.

SPECIFICATIONS:

Current Rating: 34A AC,DC

Voltage Rating: 600V AC,DC

Temperature Range: -40°C ~ +105°C

Contact Resistance: 10mΩ Max

Insulation Resistance: 1000MΩ Min

Withstanding Voltage: 1500V AC/minute

Material: Nylon 66,UL94V-0 (Black)

Ordering Information & Dimensions

Part NO.	Dimensions(mm)		
	A	B	C
A7501HFA-2P	7.50	15.98	15.24
A7501HFA-3P	15.00	23.48	15.51
A7501HFA-4P	22.50	30.98	15.51
A7501HFA-5P	30.00	38.48	15.51
A7501HFA-6P	37.50	45.98	15.51
A7501HFA-8P	52.50	60.98	15.24

CJTconn CHANGJIANG CONNECTORS CO.,LTD.

Unit	Scale	Sheet	TITLE
mm	2:1	1 of 1	7.50mm PITCH PLUG HOUSING
DRWN	CHK'D	APPR	
Dengchun Yi	Diankui Wan	Jack Yin	
General Tolerances			THIRD ANGLE PROJECTION
A2	ADD THE SIZE	2020.08.10	DRAWING NO. A7501HFA-XP
A1	CHANGE THE SIZE	2020.03.06	
A0	NEW RELEASE	2017.07.10	REV A2
REV	DESCRIPTION	DATE	

A2	ADD THE SIZE	2020.08.10
A1	CHANGE THE SIZE	2020.03.06
A0	NEW RELEASE	2017.07.10
REV	DESCRIPTION	DATE

x.x±0.25
x.xx±0.20
x.xxx±0.15
ANGLES ±1°