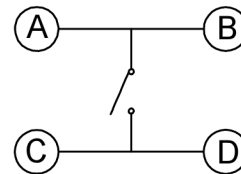
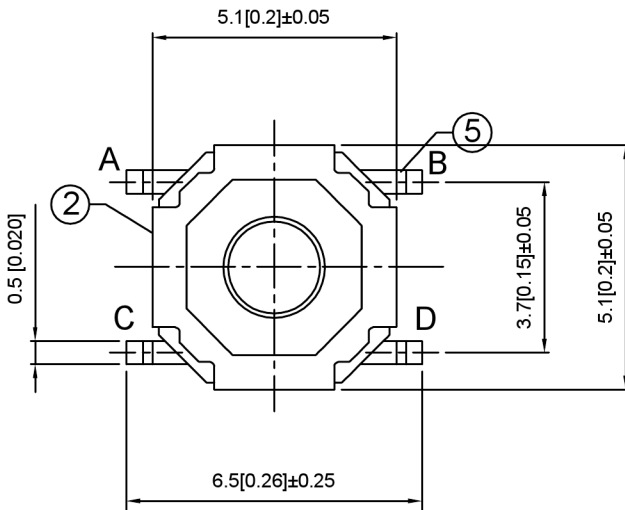
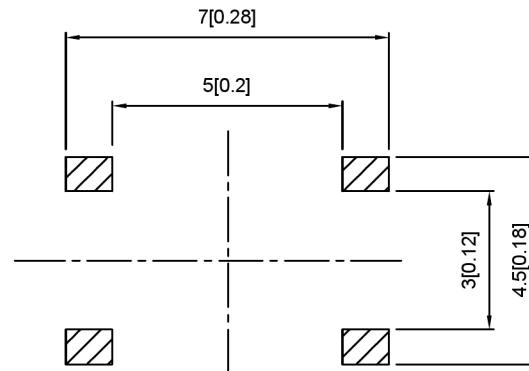


PCB LATOUT
TOP VIEW



Code-x	H
A	1.5
B	1.6
C	1.7
D	2.0
E	2.5
F	3.0
G	3.5
H	4.0
I	4.5
J	5.0

PAPT NO	TS-1187A-X-X-X
Operating Force	A:100gf B:160gf C:260gf
Height	Code-x
Fixed column	A:PA46 B:Brass

SPECIFICATION
 Contact Rating: 50mA, 12V DC
 Contact Resistance: 100mΩ max
 Insulation Resistance: 100mΩ min. 500V DC
 Dielectric Strength: 250V AC/1minute
 Travel: 0.25mm
 Operating Temp: -30°C ~ +85°C
 Storage Temp: -30°C ~ +80°C

ITEM	PAPT NAMF	TER,NO	QTY	MATERIAL	FINISHING	REMARK
⑤	Terminal	—	4	Brass (0.30t)	Plating silvering	—
④	Contact	—	1	F.ag/Sus	Natural	—
③	Base	—	1	Lcp	—	—
②	Cover	—	1	Sus	Plating Nickel	—
①	Keystake	—	1	Pa46/Brass	—	—

广东星坤科技股份有限公司
 日期
 文件工程章

MARK	DESCRIPTION	DATE	REVISED	APPROVED	UNSPECIFIED TOLERANCES
Δx					ANGLAR ±5°
Δx					L ≤ 4 ±0.2
Δx					4 < L ≤ 16 ±0.3
					16 < L ≤ 63 ±0.4
					L > 63 ±0.5



DSND		SCALE: N/A	MODEL TYPE: TACT SWITCH
DWN		VIEW:	PART NO.: TS-1187A-X-X-X
CHKD		UNIT: mm/in	DWG NO.:
APPD		SIZE: A4	
XKB INDUSTRIAL PRECISION CO., LIMITED			WEIGHT SHEET REVISIC 1/1 A0